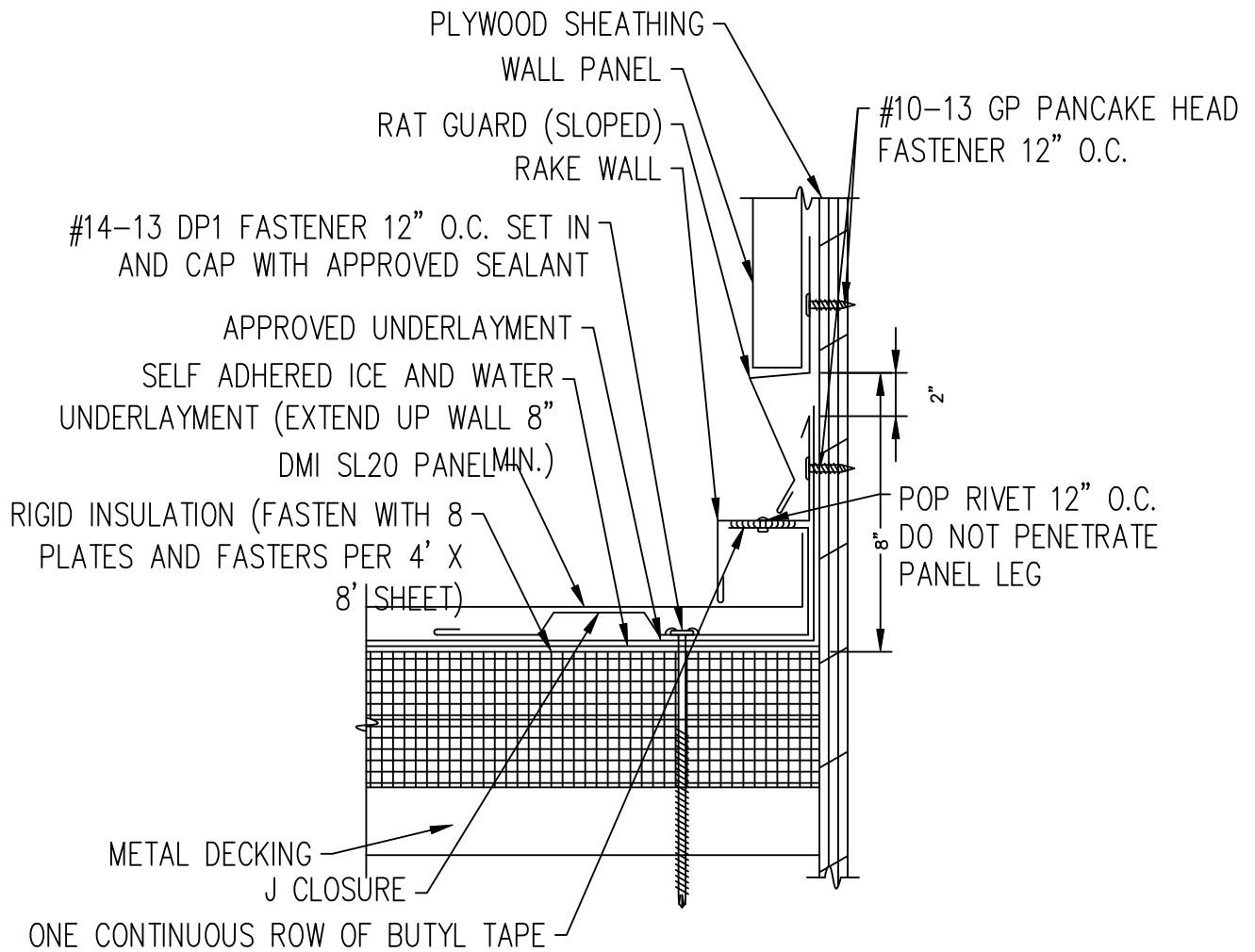


FLASHING LAP NOTE
 LAP RAKE WALL AND RAT GUARD (SLOPED) 2" MINIMUM WITH 2 ROWS OF BUTYL SEALANT.



RAKE WALL

JANUARY
2015

DIMENSIONAL METALS, INC. 3" = 1'-0"

CAP