

**PANEL EXPANSION NOTE**

FOR STEEL PANELS < 40' WITH A 1 1/2" TURN DOWN AND 1 1/2" HEM CLEARANCE:

1. 1/4" FOR INSTALLATION TEMPERATURE BELOW 30 DEGREES FARENHEIT
2. 1/2" FOR INSTALLATION TEMPERATURE ABOVE 30 DEGREES FARENHEIT..

FOR STEEL PANELS > 40' WITH A 2" TURN DOWN AND 2" HEM CLEARANCE:

1. 1/4" FOR INSTALLATION TEMPERATURE BELOW 30 DEGREES FARENHEIT.
2. 1/2" FOR INSTALLATION TEMPERATURE ABOVE 30 DEGREES FARENHEIT.

FOR ALUMINUM PANELS – CONTACT DMI

**GUTTER LAP NOTE**

LAP GUTTER 3" MIN W/ 2 ROWS OF APPROVED SEALANT AND POP RIVET JOINT 2" O.C. SET IN AND CAP POP RIVETS IN APPROVED SEALANT.

**FLASHING LAP NOTE**

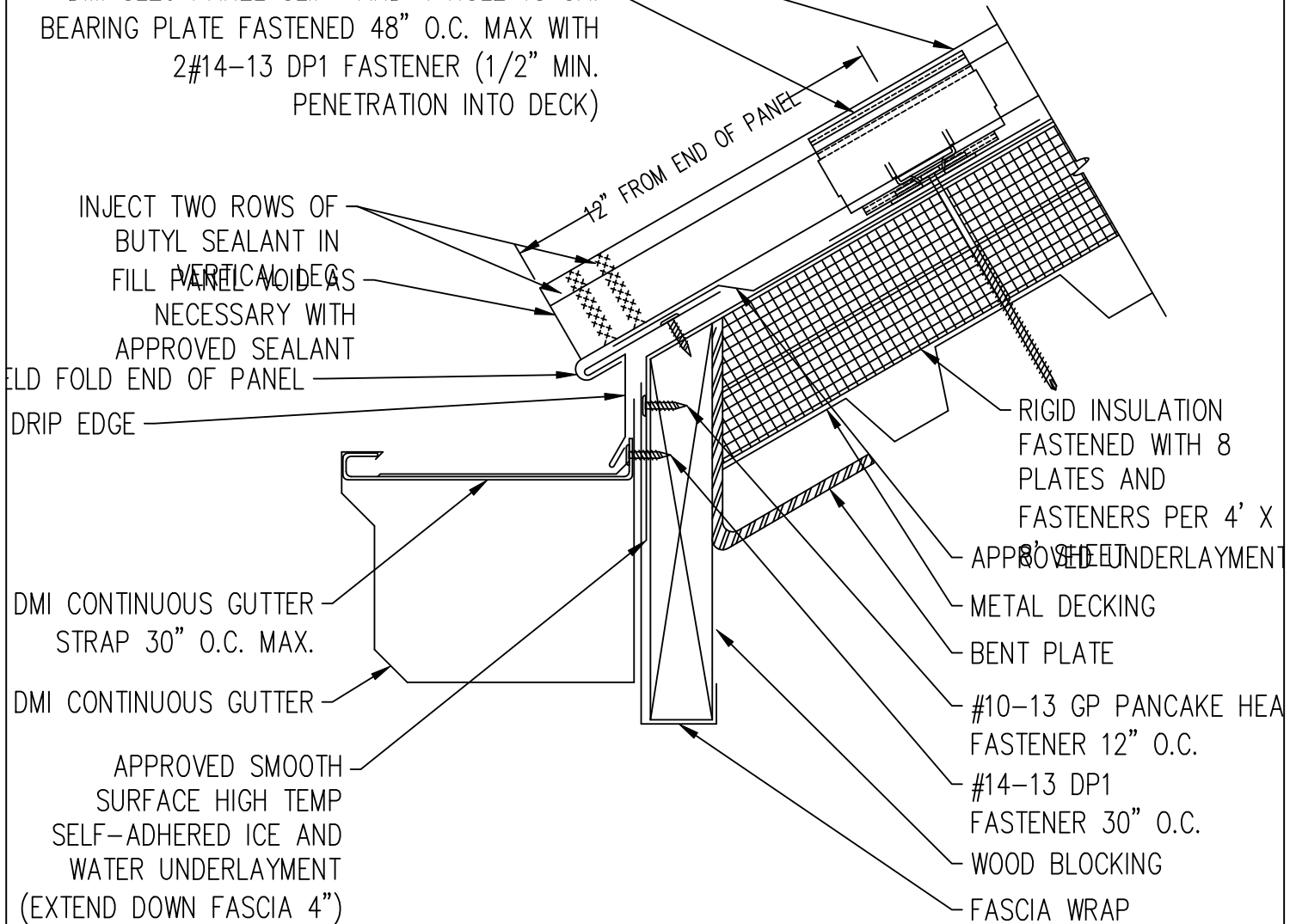
LAP FLASHINGS 2" MIN W/ 1 ROW OF BUTYL SEALANT.

**FULL ICE AND WATER UNDERLAYMENT NOTE**

FOR PANEL AREAS WITH FULL ICE AND WATER UNDERLAYMENT: STRIP IN DRIP EDGE WITH 6" STRIP OF APPROVED ICE AND WATER UNDERLAYMENT.

DMI SL20 PANEL

DMI SL20 PANEL CLIP AND 4 HOLE 18 GA. BEARING PLATE FASTENED 48" O.C. MAX WITH 2#14-13 DP1 FASTENER (1/2" MIN. PENETRATION INTO DECK)



INJECT TWO ROWS OF BUTYL SEALANT IN FILL PANEL JOINTS NECESSARY WITH APPROVED SEALANT

OLD FOLD END OF PANEL

DRIP EDGE

DMI CONTINUOUS GUTTER STRAP 30" O.C. MAX.

DMI CONTINUOUS GUTTER

APPROVED SMOOTH SURFACE HIGH TEMP SELF-ADHERED ICE AND WATER UNDERLAYMENT (EXTEND DOWN FASCIA 4")

RIGID INSULATION FASTENED WITH 8 PLATES AND FASTENERS PER 4' X 8' SHEET

APPROVED UNDERLAYMENT

METAL DECKING

BENT PLATE

#10-13 GP PANCAKE HEAD FASTENER 12" O.C.

#14-13 DP1 FASTENER 30" O.C.

WOOD BLOCKING

FASCIA WRAP

NOTE: ALL DIMENSIONS SHOWN UNLESS OTHERWISE NOTED ARE MINIMUM DIMENSIONS.



**EAVE W/ GUTTER AND FASCIA WRAP**

2011

**DIMENSIONAL METALS, INC.**

3"=1'-0" **SL20 01-00**