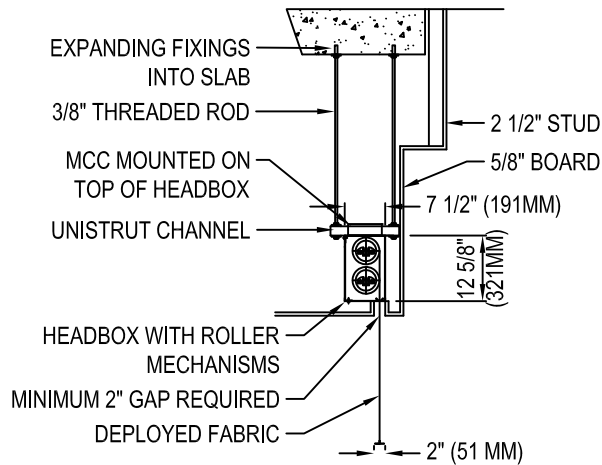
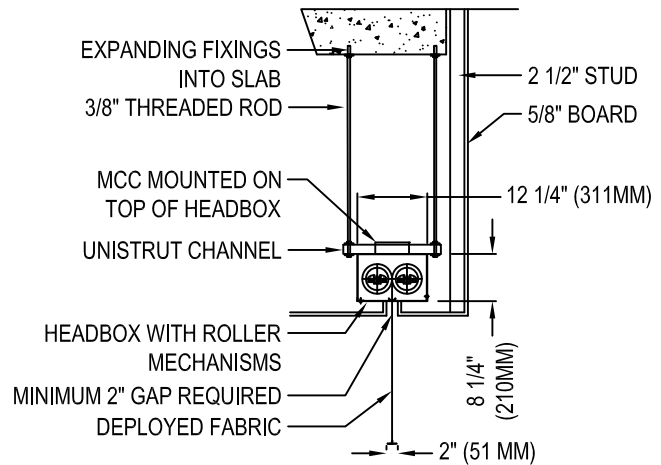


DOOR SYSTEMS

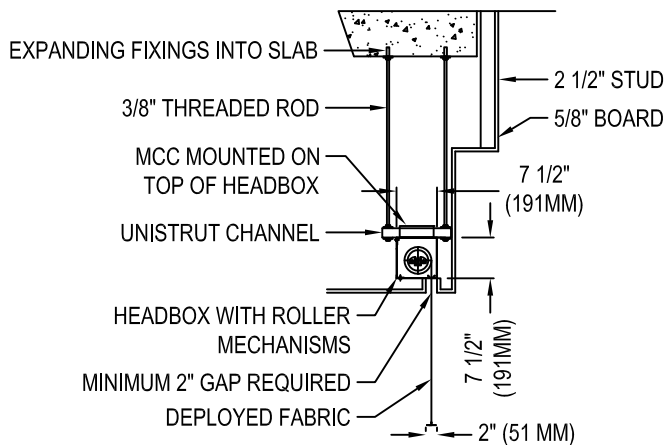
www.doorsysinc.com



MULTIPLE (OVER-UNDER) ROLLER
MORE THAN 14' IN WIDTH



MULTIPLE (SIDE BY SIDE) ROLLER
MORE THAN 14' IN WIDTH



SINGLE ROLLER
LESS THAN 14' IN WIDTH



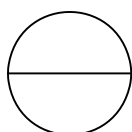
T-BAR PLAN VIEW

MANUFACTURER NOTES

- ALL HEADBOX SIZES SHOWN ARE FOR CURTAIN DROPS LESS THAN 9' 10". PLEASE SEE HEADBOX SIZING CHART FOR CURTAIN DROPS MORE THAN 9' 10".

NOTES:

1. INSTALLATION TO BE COMPLETED IN ACCORDANCE WITH MANUFACTURER'S SPECIFICATIONS.
2. DO NOT SCALE DRAWING.
3. THIS DRAWING IS INTENDED FOR USE BY ARCHITECTS, ENGINEERS, CONTRACTORS, CONSULTANTS AND DESIGN PROFESSIONALS FOR PLANNING PURPOSES ONLY. THIS DRAWING MAY NOT BE USED FOR CONSTRUCTION.
4. ALL INFORMATION CONTAINED HEREIN WAS CURRENT AT THE TIME OF DEVELOPMENT BUT MUST BE REVIEWED AND APPROVED BY THE PRODUCT MANUFACTURER TO BE CONSIDERED ACCURATE.



DSI-D1HR SMOKE/DRAFT CURTAINS

HEAD BOX OPTIONS - ABOVE CEILING SHADOW GAP