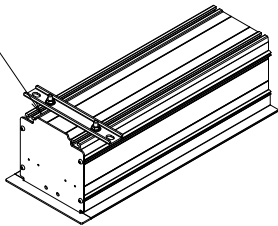
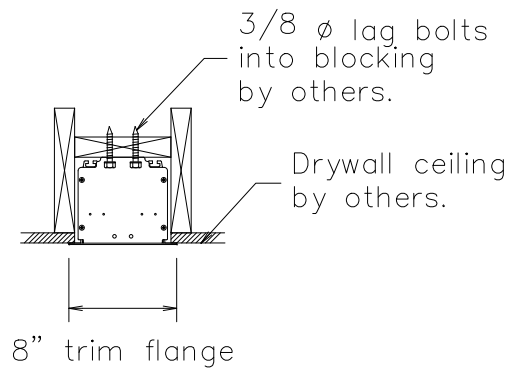


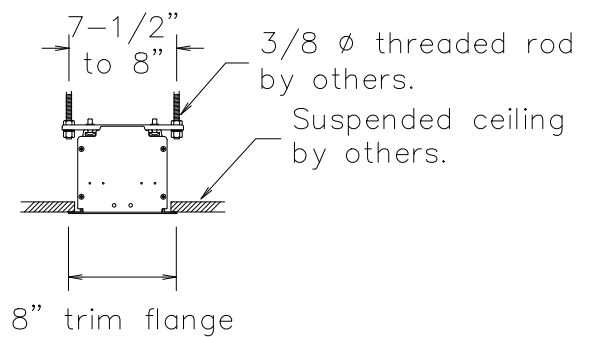
7/8" elec connection hole on top of left end of case.



Mounting with Drywall Ceiling



Mounting with Suspended Ceiling



Mounting Details

DRAPER

Access/E

DRAPER, Inc., 411 S. Pearl Street, Spiceland, Indiana 47385
 EMAIL drapercontract@draperinc.com, PH 765-987-7999, FAX 866-637-5611