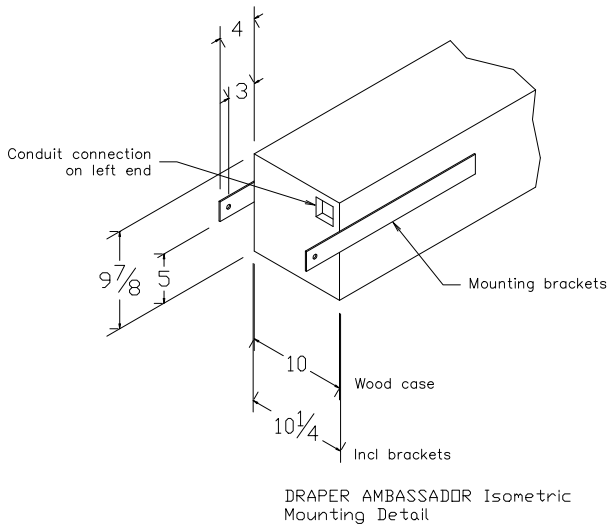


Suggested Pocket Installations

Suggested Recessed Installations

Mounting Details



DRAPER

Ambassador

DRAPER, Inc., 411 S. Pearl Street, Spiceland, Indiana 47385  
 EMAIL drapercontract@draperinc.com, PH 765-987-7999, FAX 866-637-5611