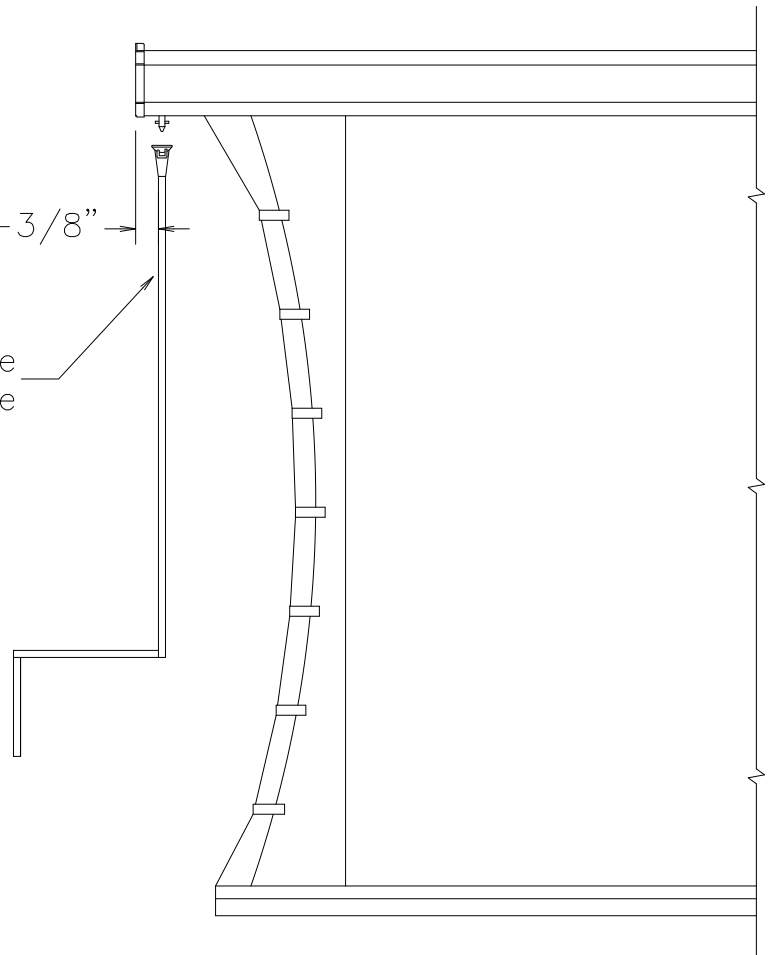


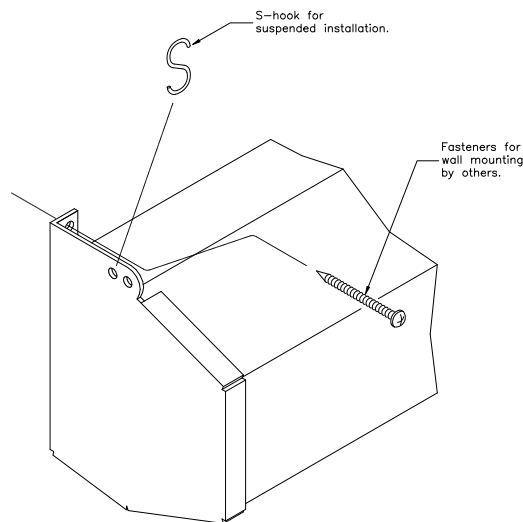
Mounting hole

1-3/8"

Detachable Crank Handle



Do Not Scale



Isometric Mounting Detail

DRAPER

Premier/C

DRAPER, Inc., 411 S. Pearl Street, Spiceland, Indiana 47385
 EMAIL drapercontract@draperinc.com, PH 765-987-7999, FAX 866-637-5611