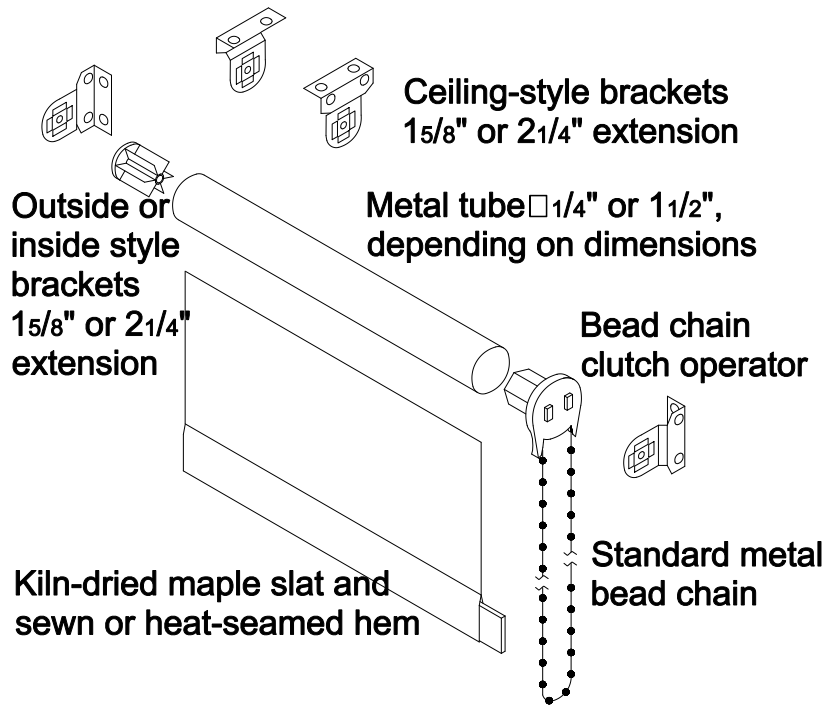


Cover Fascia

DRAPER Techmatic Operator



Outside or inside style brackets
1 5/8" or 2 1/4" extension

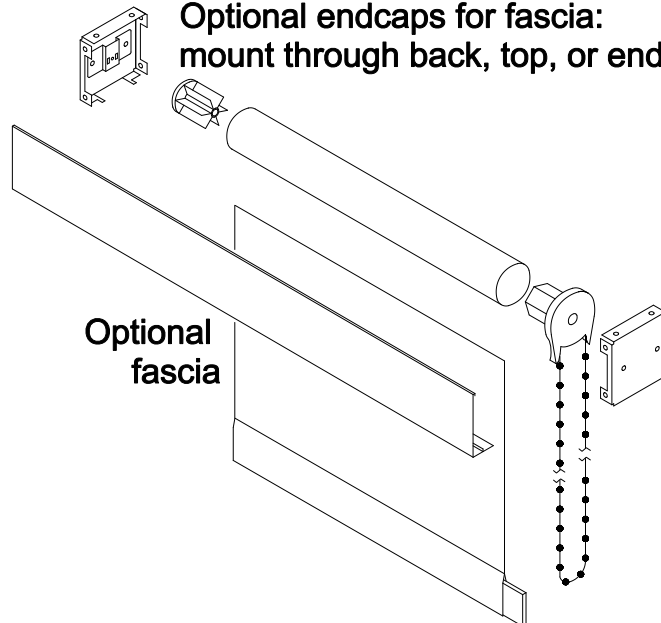
Metal tube □ 1/4" or 1 1/2", depending on dimensions

Bead chain clutch operator

Kiln-dried maple slat and sewn or heat-seamed hem

Standard metal bead chain

Optional endcaps for fascia:
mount through back, top, or end



Optional fascia

Note: SW3000, Vuetex and Room-Darkening fabrics standardly include heat-seamed slat hems.