

Durable Corporation
(800) 537-1603

Model: B5512-14-DS

MODEL: *B5512-14-DS*

Size

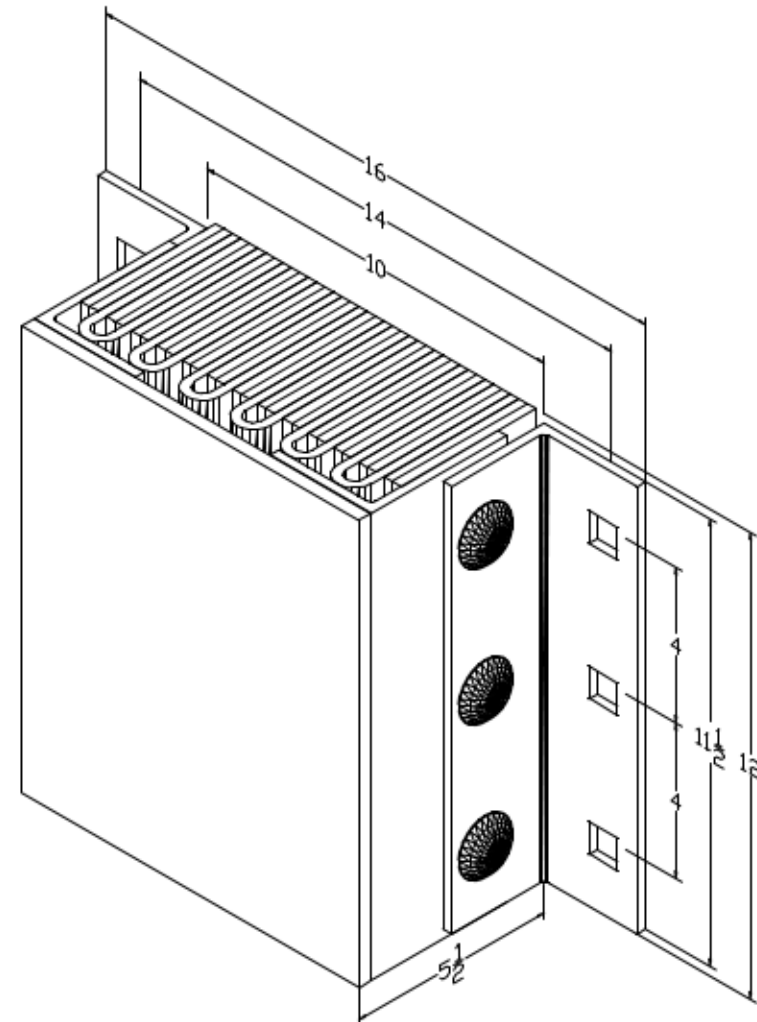
Projection 5-1/2"
Height 12"

Length

-Overall 16
-Hole Centers 14"
-Rubber 10"
Angle (2) 1/4"x3"x3"x11-1/2"
Slot Angle Size 1/4"x3"x4"x12"
Face Plate Size (1) 3/8"x12"x10"

Date: 06/11/07

All measurements are within +/- 1/8"



Confidential – Property of Durable Corporation