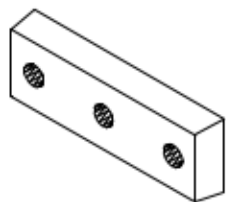


Durable Corporation  
(800) 537-1603

Model: M-30

**MODEL: M-30**  
**MOLDED BUMPER**

Size

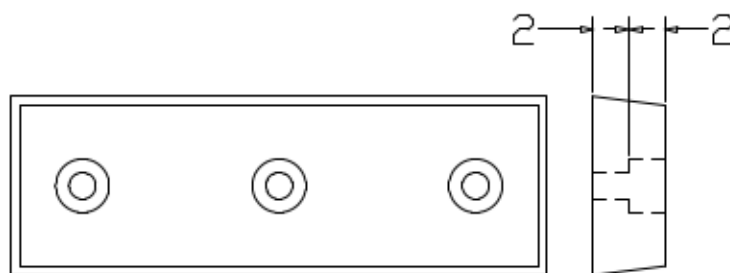
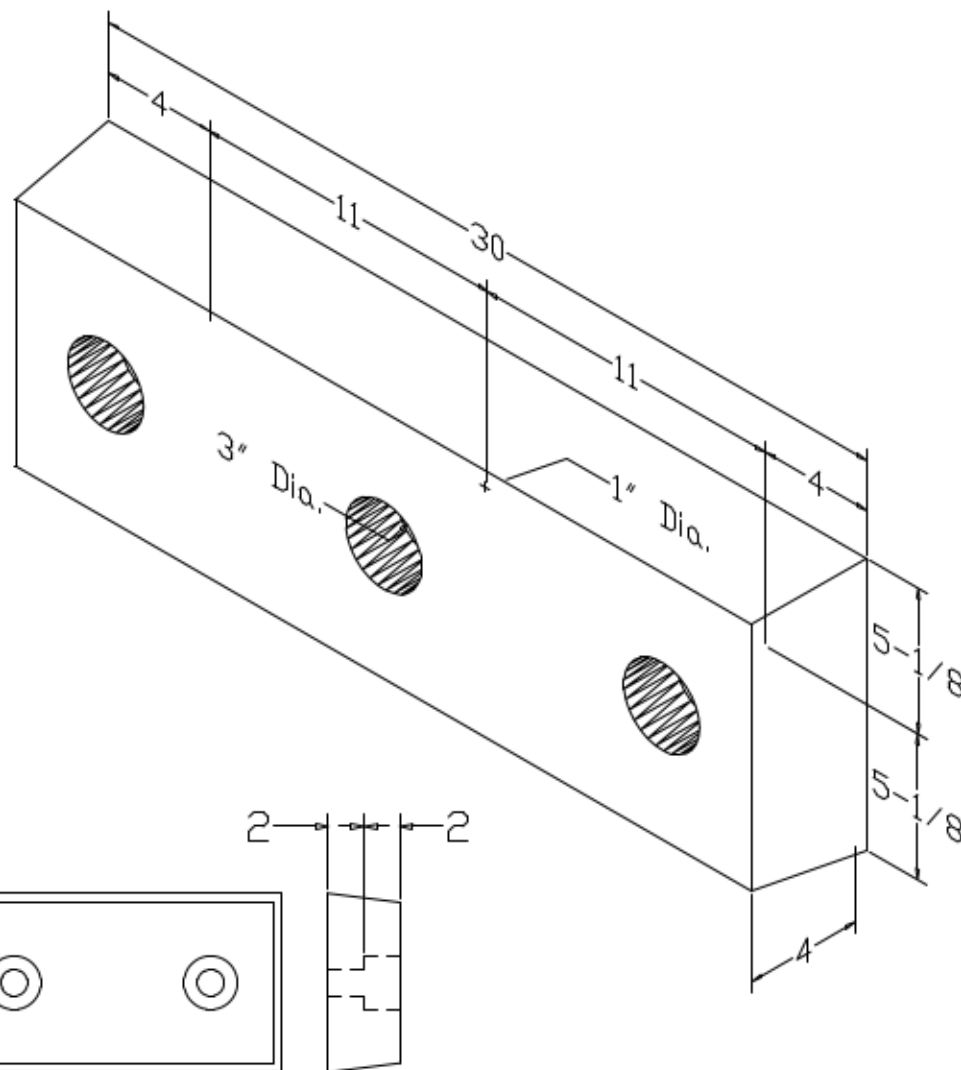


Overall Length	30
Overall Thickness	4
-Height	10-1/4
-Anchor Holes	11
Total Weight	38 lbs

Date: 8/4/99

Scale: Full

**Please Note: Weights are calculated and are not actual and overall tolerance may vary + or - 1/4".**



FRONT VIEW

SIDE VIEW