

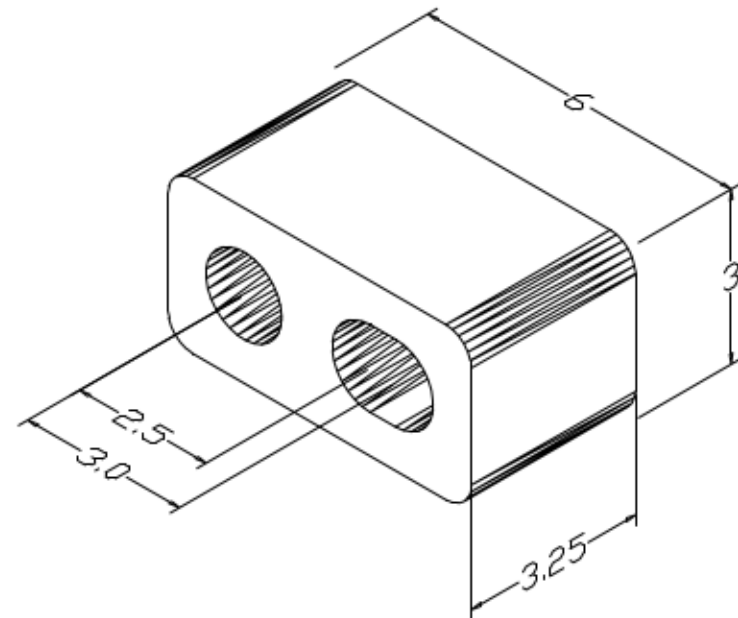
Durable Corporation
(800) 537-1603

Model: TB-10

MODEL: TB-10
MOLDED TRAILER AND
CRANE BUMPER

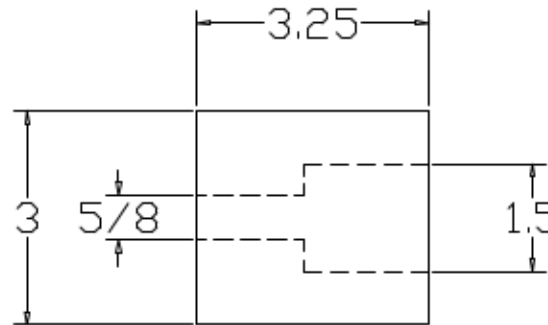
Size

Overall Length	6
Overall Thickness	3-1/4
-Height	3
-Anchor Holes	2-1/4 to 3-1/4
Total Weight	1.25 lbs



Date: 8/6/99
Scale: Full

Please Note: Weights are calculated and are not actual and overall tolerance may vary + or - 1/4".



TB-10 is molded from a nylon & polyester fibre reinforced rubber of 80 (+ or -) 5 durometer, and has an average impact resistance of 95% under ASTM 1170.