

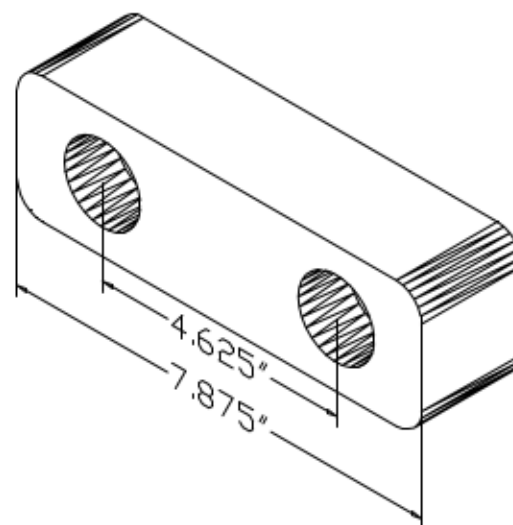
Durable Corporation
(800) 537-1603

Model: TB-60

MODEL: TB-60
MOLDED TRAILER AND
CRANE BUMPER

Size

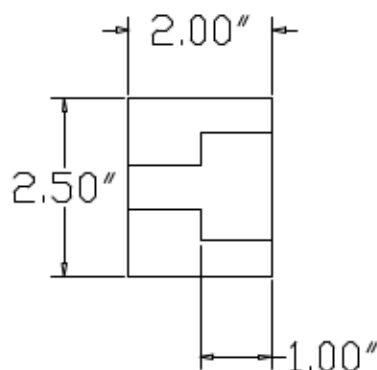
Overall Length	7-7/8"
Overall Thickness	2"
-Height	2-1/2"
-Anchor Holes	4-5/8"
Total Weight	1-1/4 lbs



Date: 01/05/04

Scale: Full

Please Note: Weights are calculated and are not actual and overall tolerance may vary + or - 1/4".



TB-60 is molded from a nylon & polyester fibre reinforced rubber of 80 (+ or -) 5 durometer, and has an average impact resistance of 95% under ASTM 1170.