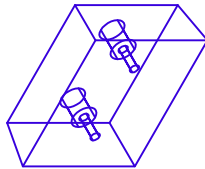


Model: DB-13

MODEL: DB-13 MOLDED BUMPER

Size

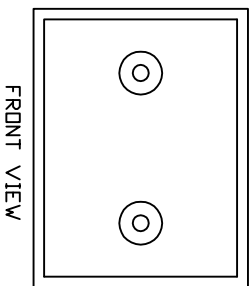
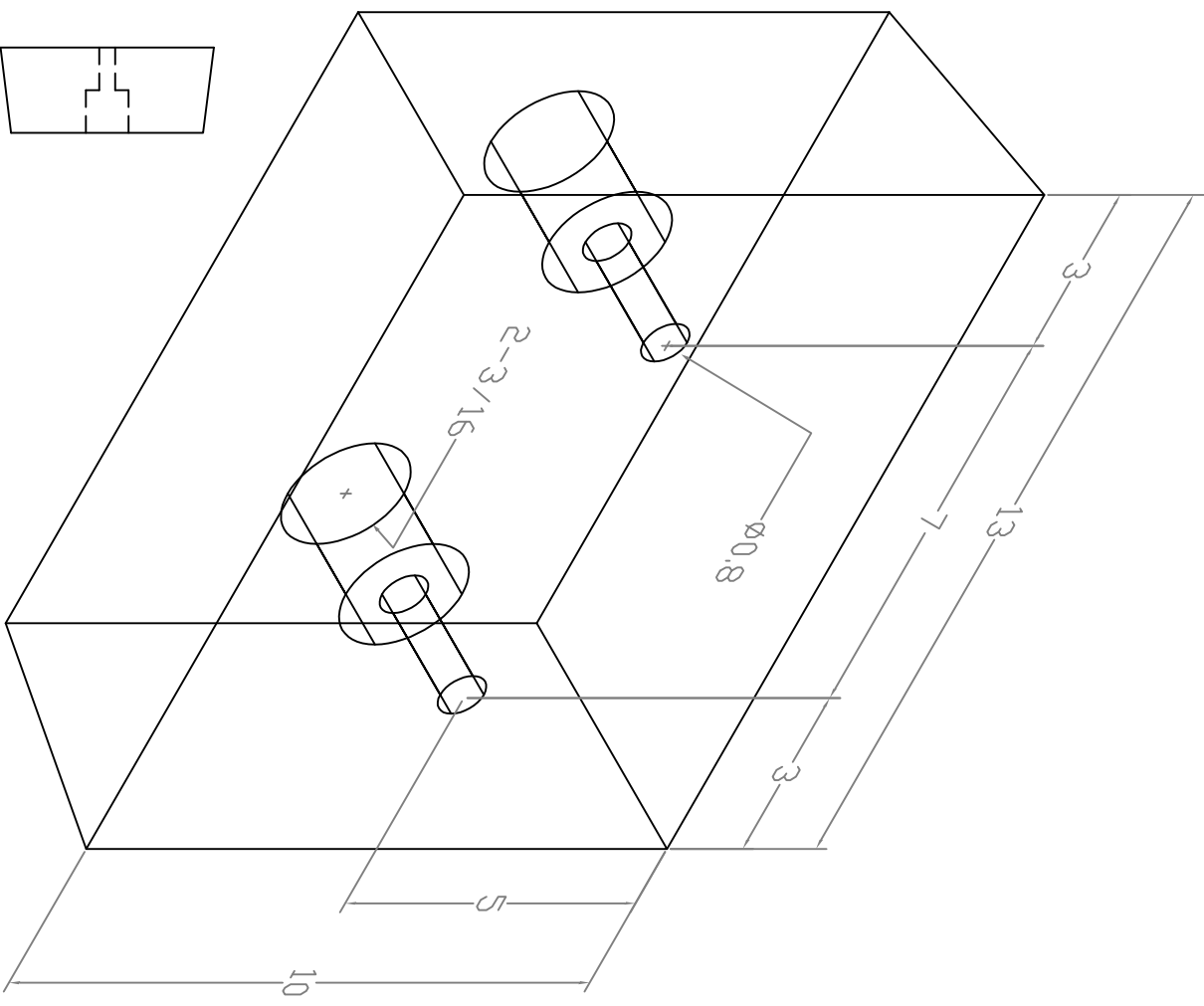


Overall Length	13
Overall Thickness	4
-Height	10
-Anchor Holes	17
Total Weight	17 lbs

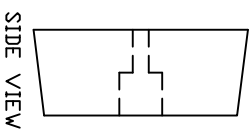
Date: 8/3/99

Scale: Full

Please Note: Weights are calculated and are not actual and overall tolerance may vary + or - 1/4".



FRONT VIEW



SIDE VIEW