

Durable Corporation
(800) 537-1603

Model: B5510-14DS

MODEL: B5510-14DS

Size

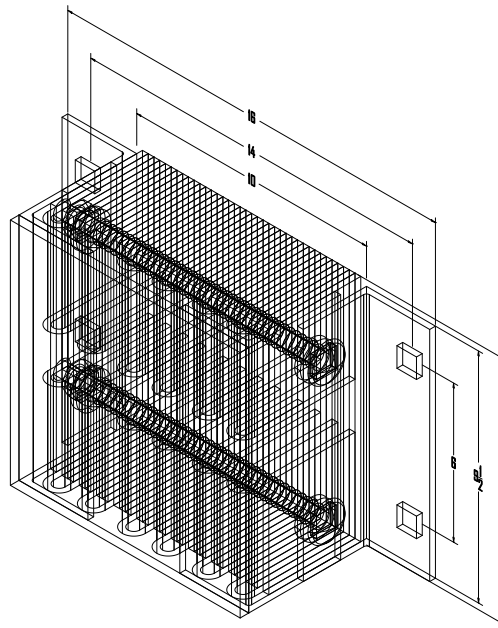
Projection 5-1/2"
Height 10"

Length

-Overall 16"
-Anchor Holes 14"
-Rubber 10"
Angle Size (2) 1/4"x3"x3"x9-1/2"
Slot Angle Size (2) 1/4"x3"x4"x10"
Face Plate Size (1) 3/8"x10"x10"

Date: 11/05/07

All measurements are within +/- 1/8"



Confidential -- Property of Durable Corporation