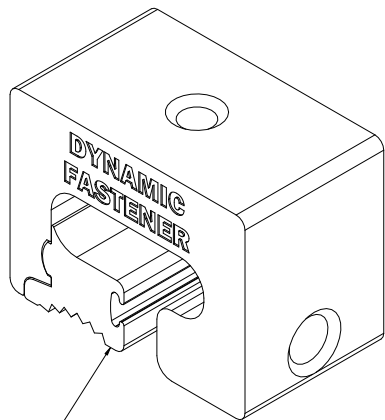
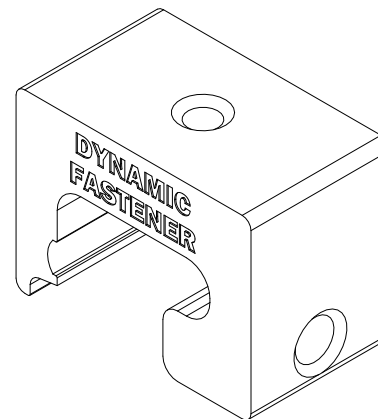


- NOTE:**
 1. DIMENSIONS AND NOTES ON THIS DRAWING SUPERSEDE TITLE BLOCK
 2. ALUMINUM ASSOCIATION STANDARD TOLERANCES APPLY FOR EXTRUSION PROFILE.
 3. ALL DIMENSIONAL LIMITS APPLY BEFORE COATING, I.E. PAINT COAT OR ANODIZE COAT.

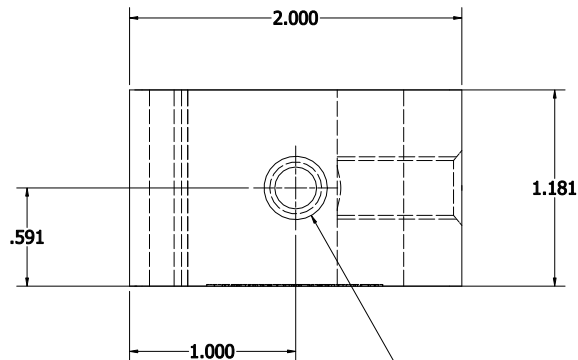
REVISION HISTORY			
REV	DESCRIPTION	ECN #	MFG APPRO
0			



DC-TS2 INSERT MINI
 (THIS PART WILL BE PACKED
 SEPARATE IN THE BAG)

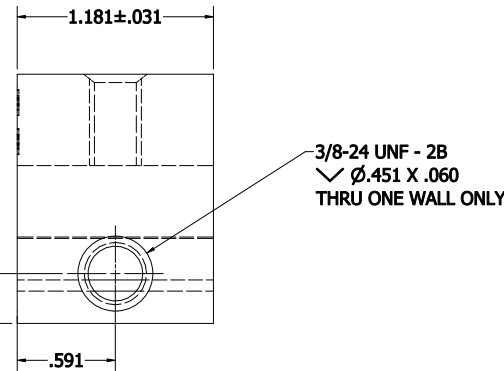
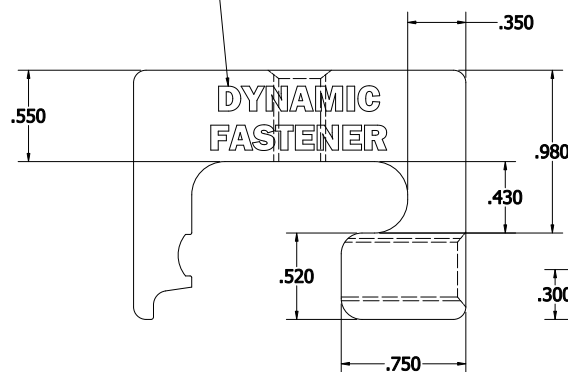
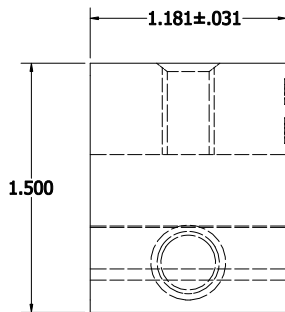


ISOMETRIC VIEW



5/16-18 UNC - 2B THRU
 √ ϕ.381 X .050

LOGO THIS SIDE ONLY



3/8-24 UNF - 2B
 √ ϕ.451 X .060
 THRU ONE WALL ONLY

THE INFORMATION CONTAINED IN THIS DRAWING IS THE SOLE PROPERTY
 OF DYNAMIC FASTENER. ANY REPRODUCTION IN PART OR WHOLE
 WITHOUT THE WRITTEN PERMISSION OF DYNAMIC FASTENER IS PROHIBITED.

DIMENSIONS ARE IN INCHES.
 ALUMINUM ASSOCIATION STANDARD
 TOLERANCES APPLY FOR EXTRUSION
 PROFILE ONLY, UNLESS OTHERWISE
 SPECIFIED, FAB DIMS TOLERANCES ARE:
 FRACTIONAL: ±.01; ANGULARITY: ±1'
 [XXX: ±.020] [XX: ±.031] [X: ±.063]
 DRAWING GENERATED BY INVENTOR SOFTWARE

DRAWN BY: R.WOODCOCK		DATE: 9/21/2020		DYNAMIC FASTENER	
FINISH: MILL					
MASS: N/A				CUSTOMER: DYNAMIC FASTENER	
MATERIAL: 6005A T61				PART NAME: DC-TS2 MINI	
ITEM CODE: 5839F9001				SIZE DRAWING NO.:	
LENGTH: 1.181				C DC-TS2 MINI FAB	
CAD FILE:				DO NOT SCALE DRAWING	
				SHEET 1 OF 1	

REV.
0