

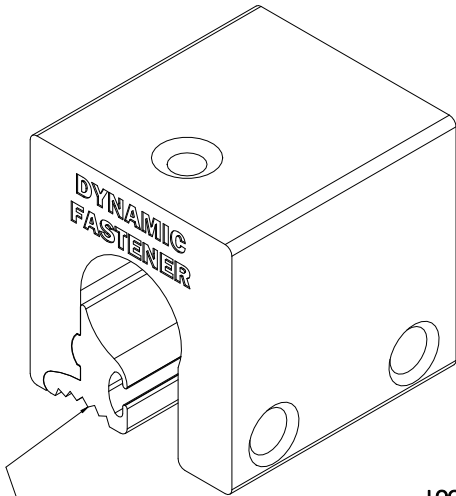
- NOTE:**
1. DIMENSIONS AND NOTES ON THIS DRAWING SUPERSEDE TITLE BLOCK
  2. ALUMINUM ASSOCIATION STANDARD TOLERANCES APPLY FOR EXTRUSION PROFILE.
  3. ALL DIMENSIONAL LIMITS APPLY BEFORE COATING, I.E. PAINT COAT OR ANODIZE COAT.

REVISION HISTORY				
REV	DESCRIPTION	ECN #	MFG APPRO	DATE
0				

DRAWING APPROVED BY:

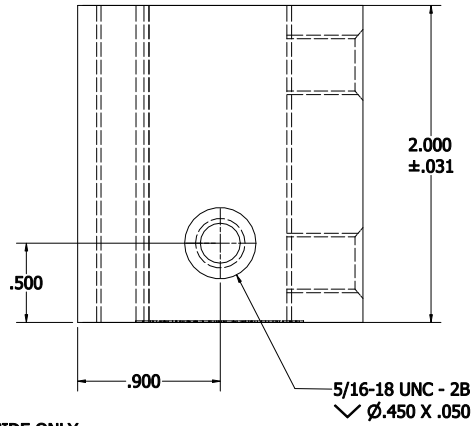
DATE:

EXT. VIEW, DIE AF-5036  
SEE DIE PRINT

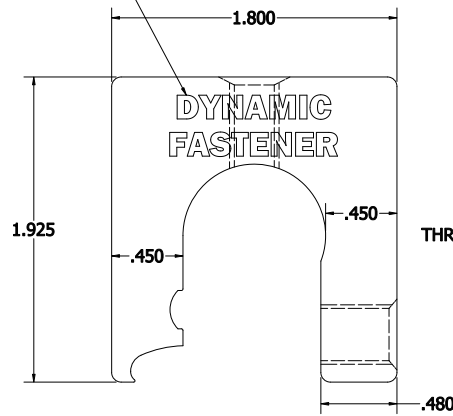
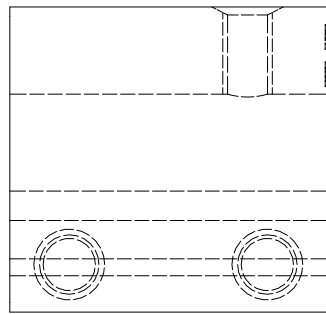
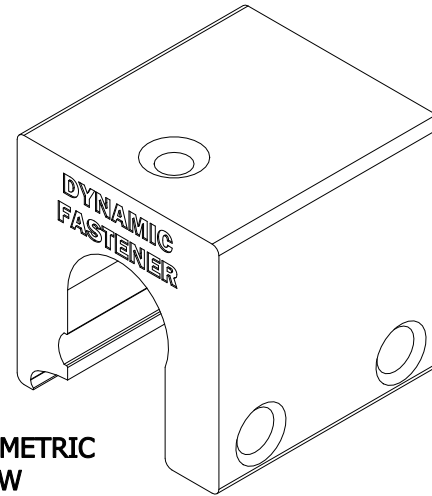


DC-ZR2 INSERT  
(THIS PART WILL BE PACKED  
SEPARATE IN THE BAG)

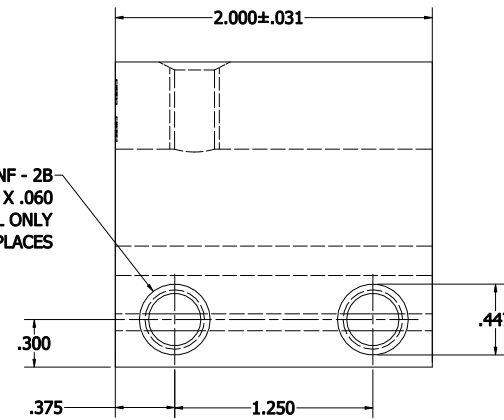
LOGO THIS SIDE ONLY



ISOMETRIC  
VIEW



3/8-24 UNF - 2B  
√ ϕ.447 X .060  
THRU ONE WALL ONLY  
2 PLACES



THE INFORMATION CONTAINED IN THIS DRAWING IS THE SOLE PROPERTY OF  
DYNAMIC FASTENER. ANY REPRODUCTION IN PART OR WHOLE  
WITHOUT THE WRITTEN PERMISSION OF DYNAMIC FASTENER IS PROHIBITED.

DIMENSIONS ARE IN INCHES.  
ALUMINUM ASSOCIATION STANDARD  
TOLERANCES APPLY FOR EXTRUSION  
PROFILE ONLY, UNLESS OTHERWISE  
SPECIFIED, FAB DIMS TOLERANCES ARE:  
FRACTIONAL: ±.02"; ANGULARITY: ±1°  
[.00X ±.000] [X ±.001] [X ±.003]  
DRAWING GENERATED BY INVENTOR SOFTWARE

DRAWN BY: R.WOODCOCK	DATE: 8/28/2019	DYNAMIC FASTENER	
FINISH: MILL		CUSTOMER: DYNAMIC FASTENER	
MASS: N/A		PART NAME: DC-ZR2	
MATERIAL: 6005A T61		SIZE	DRAWING NO.:
ITEM CODE: 5837F9002		C	DC-ZR2 FAB DYNAMIC FASTENER
LENGTH: 2"		DO NOT SCALE DRAWING	REV. 0
CAD FILE:		SHEET 1 OF 1	