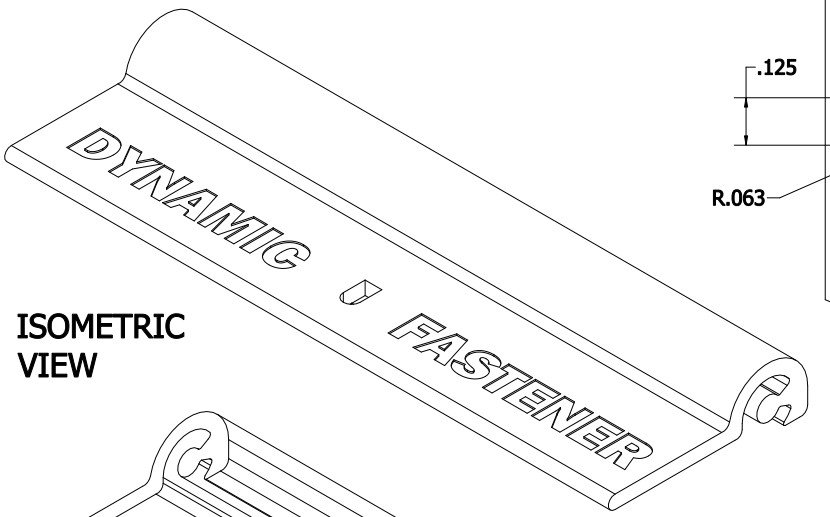
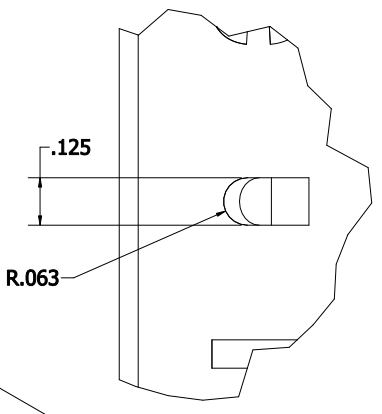


2		1	
REV	DESCRIPTION	ECN #	MFG APPROVED BY
1	DIM. 1.486 WAS 1.433 PER CUSTOMER	101891	KEVIN P.
			DATE
			9/11/2018

NOTE:
 1. DIMENSIONS AND NOTES ON THIS DRAWING SUPERSEDE TITLE BLOCK
 2. ALUMINUM ASSOCIATION STANDARD TOLERANCES APPLY FOR EXTRUSION PROFILE.
 3. ALL DIMENSIONAL LIMITS APPLY BEFORE COATING, I.E. PAINT COAT OR ANODIZE COAT.

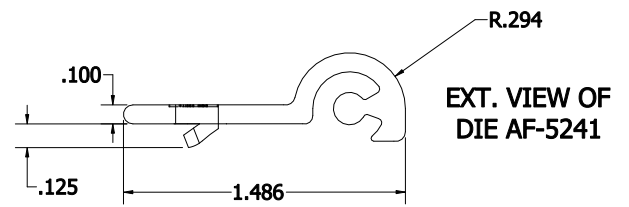
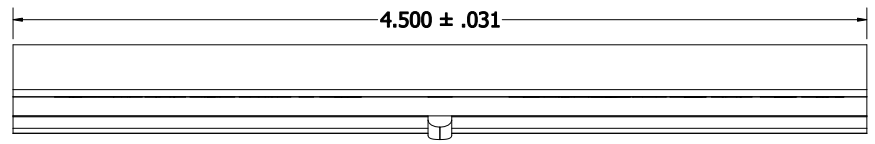
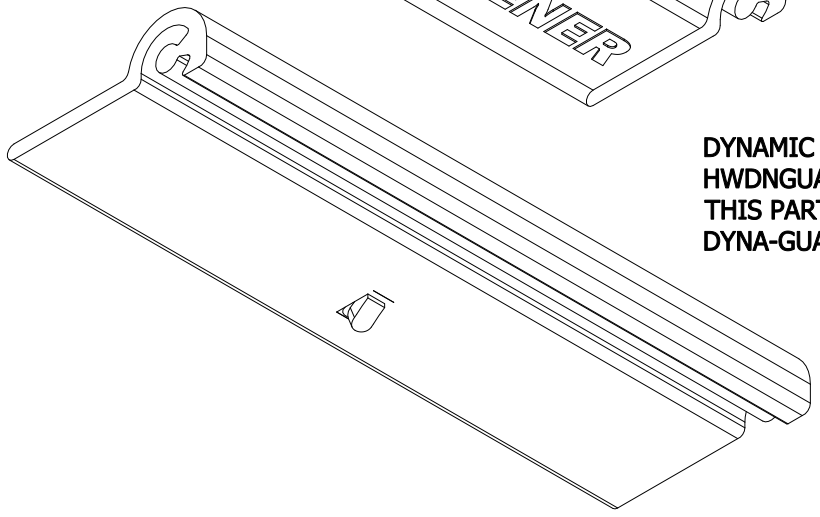
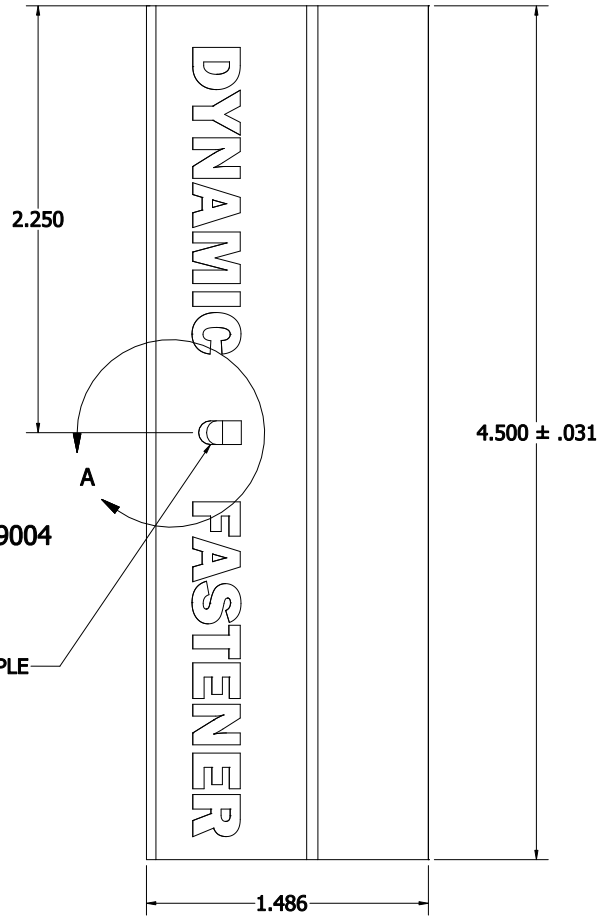


ISOMETRIC VIEW



**DETAIL A
SCALE 4 : 1**

**DYNAMIC FASTENER ITEM CODE: 5241F9004
 HWDNGUARD4 (HARDWARE KIT)
 THIS PART MUST SLIDE FIT WITH
 DYNA-GUARD (AF-5243)**



**EXT. VIEW OF
DIE AF-5241**

DRAWN BY: DHLE	DATE: 11/28/2017
FINISH: MILL	
MASS: N/A	
MATERIAL: ALUM ALLOY 6005A-T61	
ITEM CODE: 5241F9004	
LENGTH: 4.50"	
CAD FILE: M/FAB/ALEX/SAP DOC/DYNAMIC/CAD	

DYNAMIC FASTENER	
PART NAME: DYNA-SPLICE 4.5"	
SIZE C	DRAWING NO.: DYNA SPLICE 4.5IN
	REV. 1
DO NOT SCALE DRAWING SHEET 1 OF 1	

THE INFORMATION CONTAINED IN THIS DRAWING IS THE SOLE PROPERTY OF AFCO INDUSTRIES, INC. ANY REPRODUCTION IN PART OR WHOLE WITHOUT THE WRITTEN PERMISSION OF AFCO INDUSTRIES, INC. IS PROHIBITED.

DIMENSIONS ARE IN INCHES.
 ALUMINUM ASSOCIATION STANDARD TOLERANCES APPLY FOR EXTRUSION PROFILE ONLY. UNLESS OTHERWISE SPECIFIED, FAB DIMS TOLERANCES ARE:
 FRACTIONAL: ±.005" ; ANGULARITY: ±1'
 [.XXX : ±.020] [.XX : ±.031] [.X : ±.063]
 DRAWING GENERATED BY INVENTOR SOFTWARE