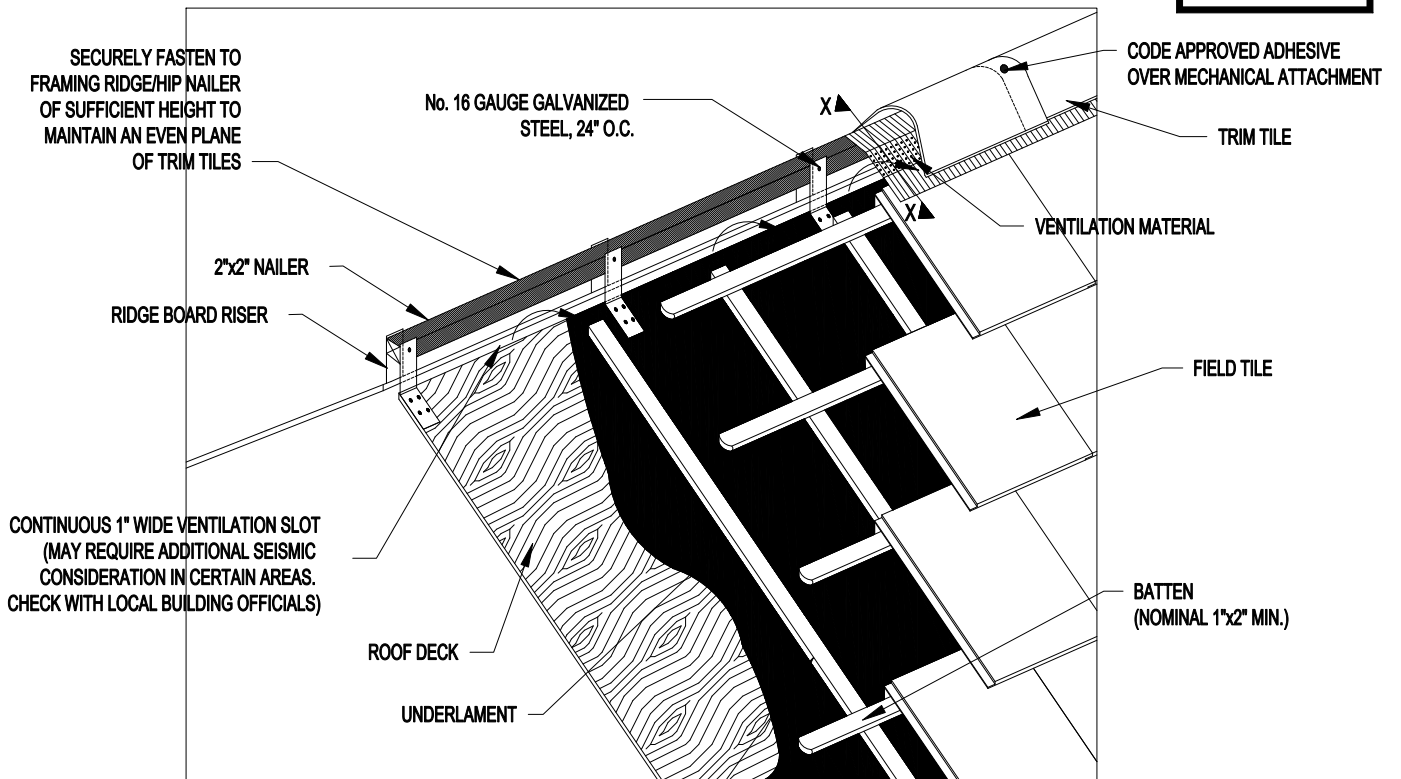
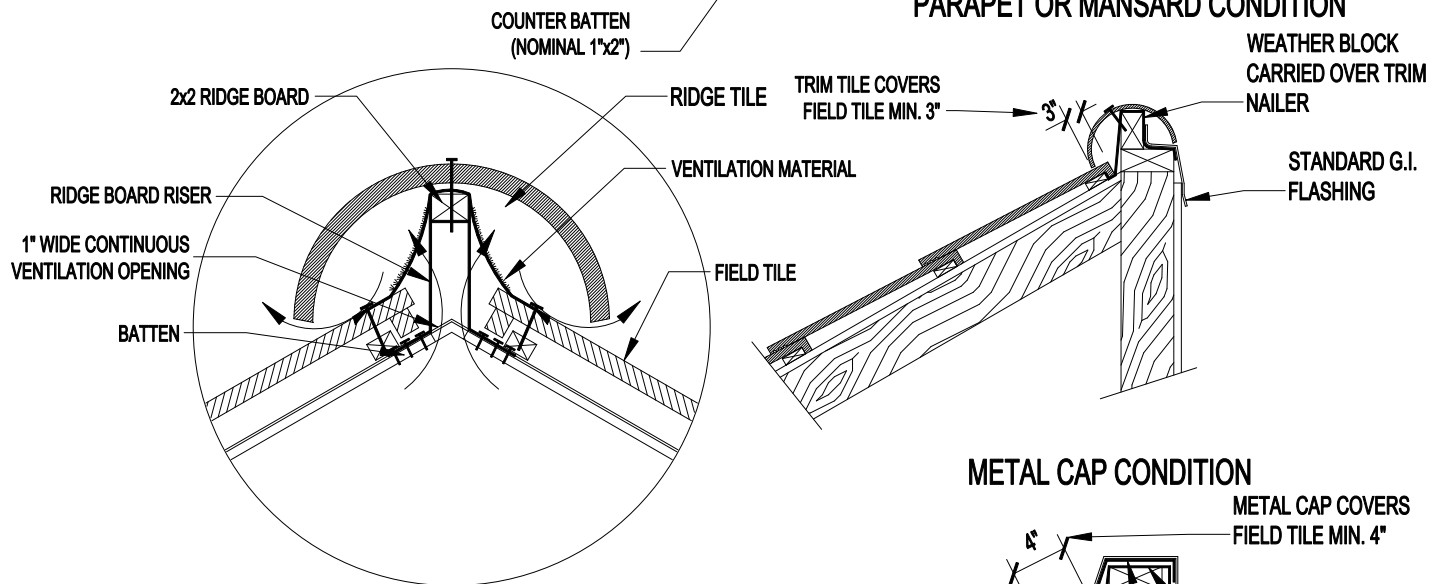


VENTED RIDGE (OPTION)

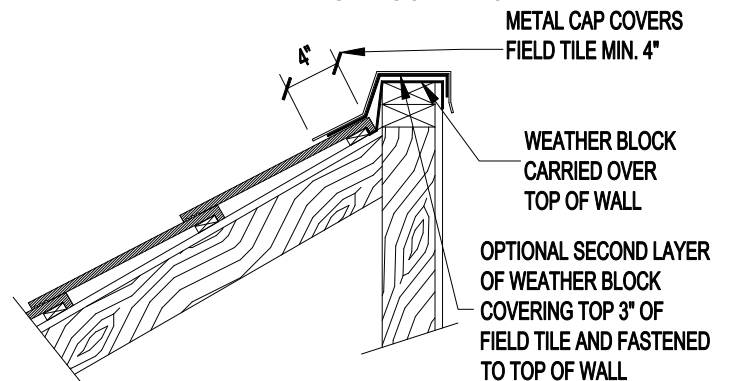
MC-18B



PARAPET OR MANSARD CONDITION



METAL CAP CONDITION



CROSS SECTION "X-X"

NOTE:
REFER TO VENT MANUFACTURERS INSTRUCTIONS FOR PRODUCT REQUIREMENTS AND LIMITATIONS.