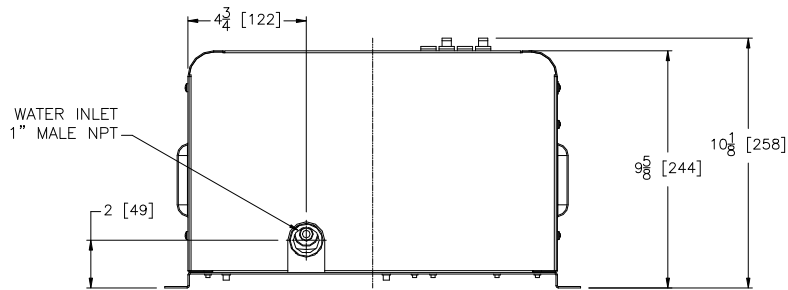
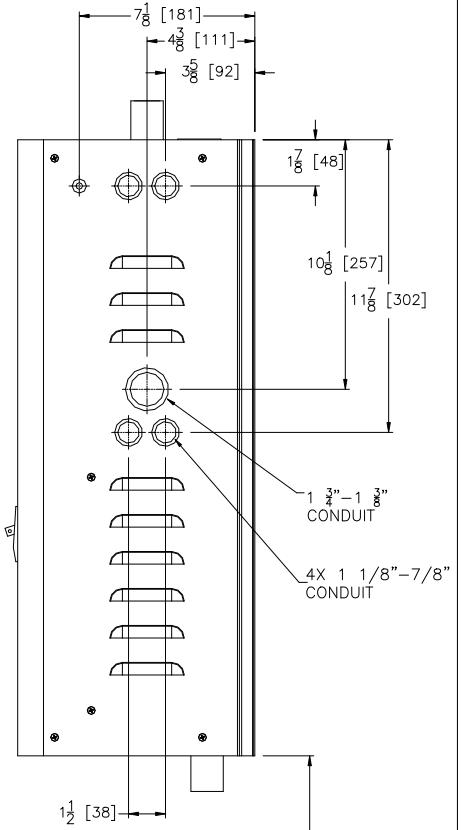
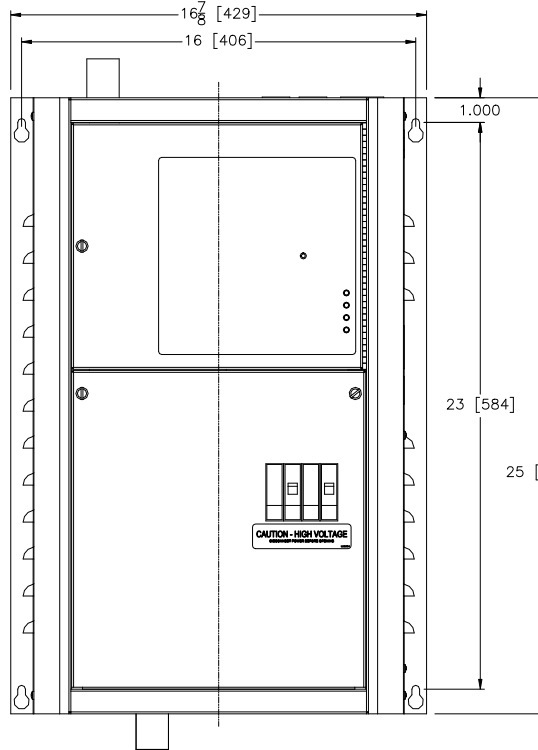
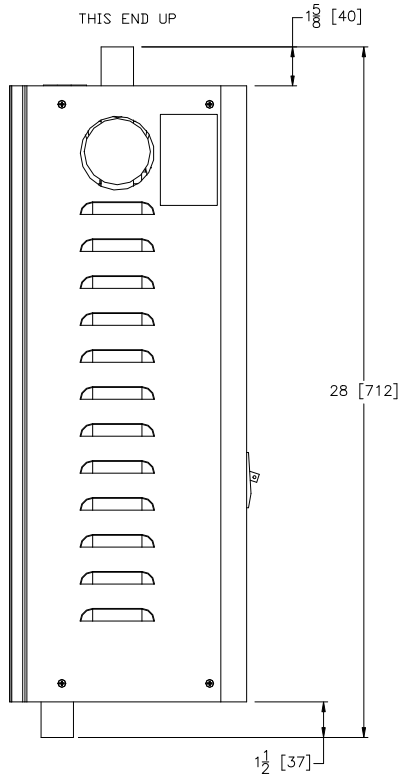
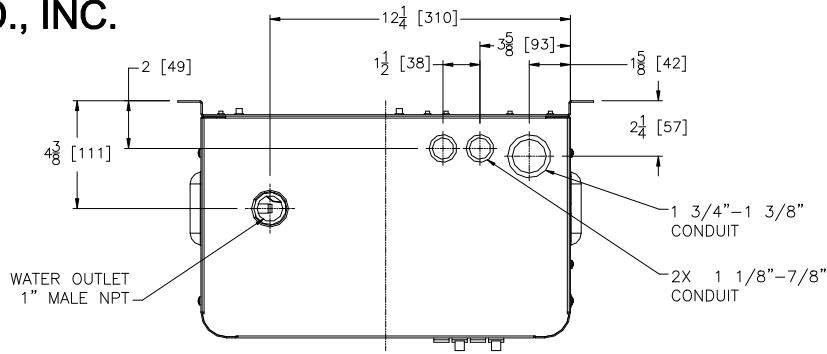


ELECTRO IND., INC. TS-MIDSIZE ELECTRO- BOILER (EB-M*)



MINIMUM CLEARANCE FROM FLOOR 18"

NOTES:
1. DIMENSIONS SHOWN IN INCHES & [MM].

	MINIMUM CLEARANCE COMBUSTIBLE SURFACES	SUGGESTED MINIMUM SERVICE CLEARANCE
BACK	0 IN/ 0 MM	0 IN/ 0 MM
LEFT	1 IN/ 25 MM	12 IN/ 305 MM
RIGHT	1 IN/ 25 MM	6 IN/ 152 MM
FRONT	1 IN/ 25 MM	24 IN/ 610 MM
TOP	1 IN/ 25 MM	24 IN/ 610 MM
BOTTOM	REQUIRED CLEARANCE - 18 IN/ 457 MM	

Rev.A 4-8-13: Released to ARCAT.com

PROPRIETARY AND CONFIDENTIAL
NOTE: THE INFORMATION CONTAINED IN THIS DRAWING IS THE SOLE PROPERTY OF ELECTRO INDUSTRIES INC. ANY REPRODUCTION IN PART OR AS A WHOLE WITHOUT THE WRITTEN PERMISSION OF ELECTRO INDUSTRIES INC. IS PROHIBITED.

DESCRIPTION
TS-STANDARD ELECTRO-BOILER
10kW-20kW 240V (EB-M*)
ARCAT CAD DETAILS

ELECTRO INDUSTRIES, INC.
MONTICELLO, MN 55362

DRAWN: BAS
CHECKED:
APPROVED:
DATE: 4-8-13

SHEET 1/1
DATE: 4-8-13

SCALE: NTS
REV/STATUS: A

PART/MODEL NUMBER: EB-M*
DOCUMENT NUMBER: BA501