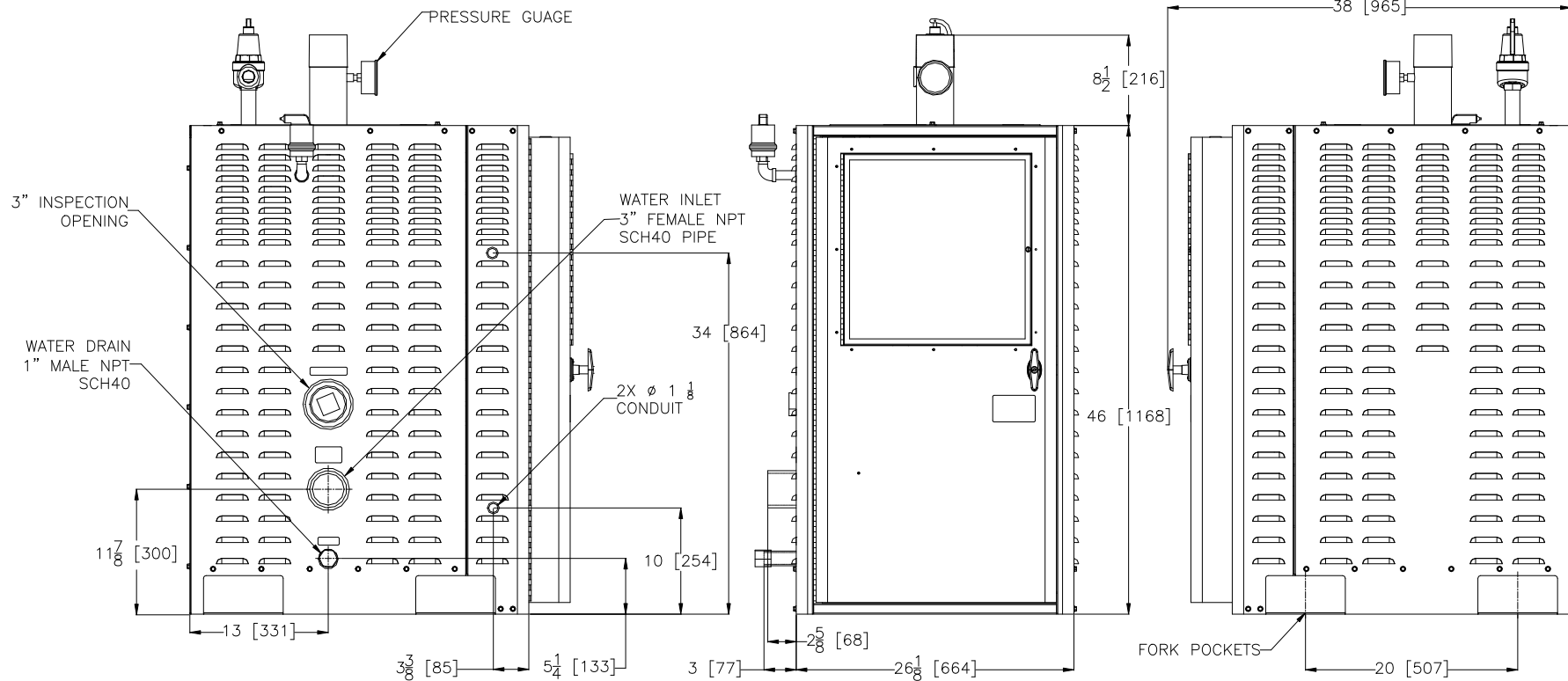
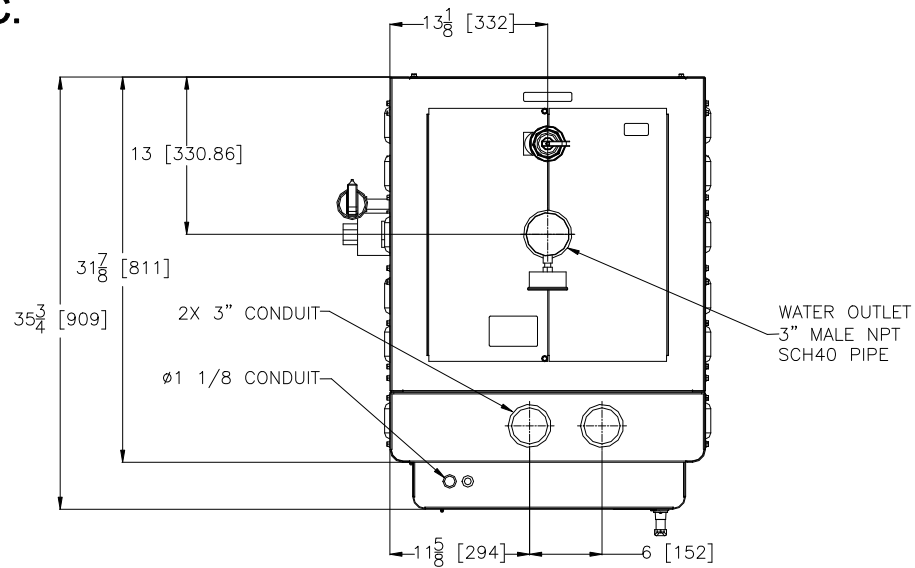


ELECTRO INDUSTRIES, INC.
INDUSTRIAL ELECTRIC
WATER BOILER
60kW-300kW 208V-600V
(EB-NB*)

CLEARANCES		
	MINIMUM CLEARANCE COMBUSTIBLE SURFACES	SUGGESTED MINIMUM SERVICE CLEARANCE
BACK	0 IN/ 0 MM	0 IN/ 0 MM
LEFT	12 IN/ 305 MM	24 IN/ 610 MM
RIGHT	8 IN/ 203 MM	12 IN/ 305 MM
FRONT	24 IN/ 457 MM	36 IN/ 914 MM
TOP	26 IN/ 660 MM	26 IN/ 660 MM

NOTES:
 1. DIMENSIONS SHOWN IN INCHES & [MM].



PROPRIETARY AND CONFIDENTIAL
 NOTE: THE INFORMATION CONTAINED IN THIS DRAWING IS THE SOLE
 PROPERTY OF ELECTRO INDUSTRIES INC. ANY REPRODUCTION IN PART
 OR AS A WHOLE WITHOUT THE WRITTEN PERMISSION OF ELECTRO
 INDUSTRIES INC. IS PROHIBITED.

DESCRIPTION
 INDUSTRIAL ELECTRIC WATER BOILER
 60kW-300kW 208V-600V (EB-NB*)
 ARCAT CAD DETAILS

DRAWN BAS	CHECKED -	APPROVED	ELECTRO INDUSTRIES, INC. MONTICELLO, MN 55362	SHEET 1/1	SCALE NTS	PART/MODEL NUMBER EB-NB*
			DATE 04-01-13	REV/STATUS A	DOCUMENT NUMBER BA801	