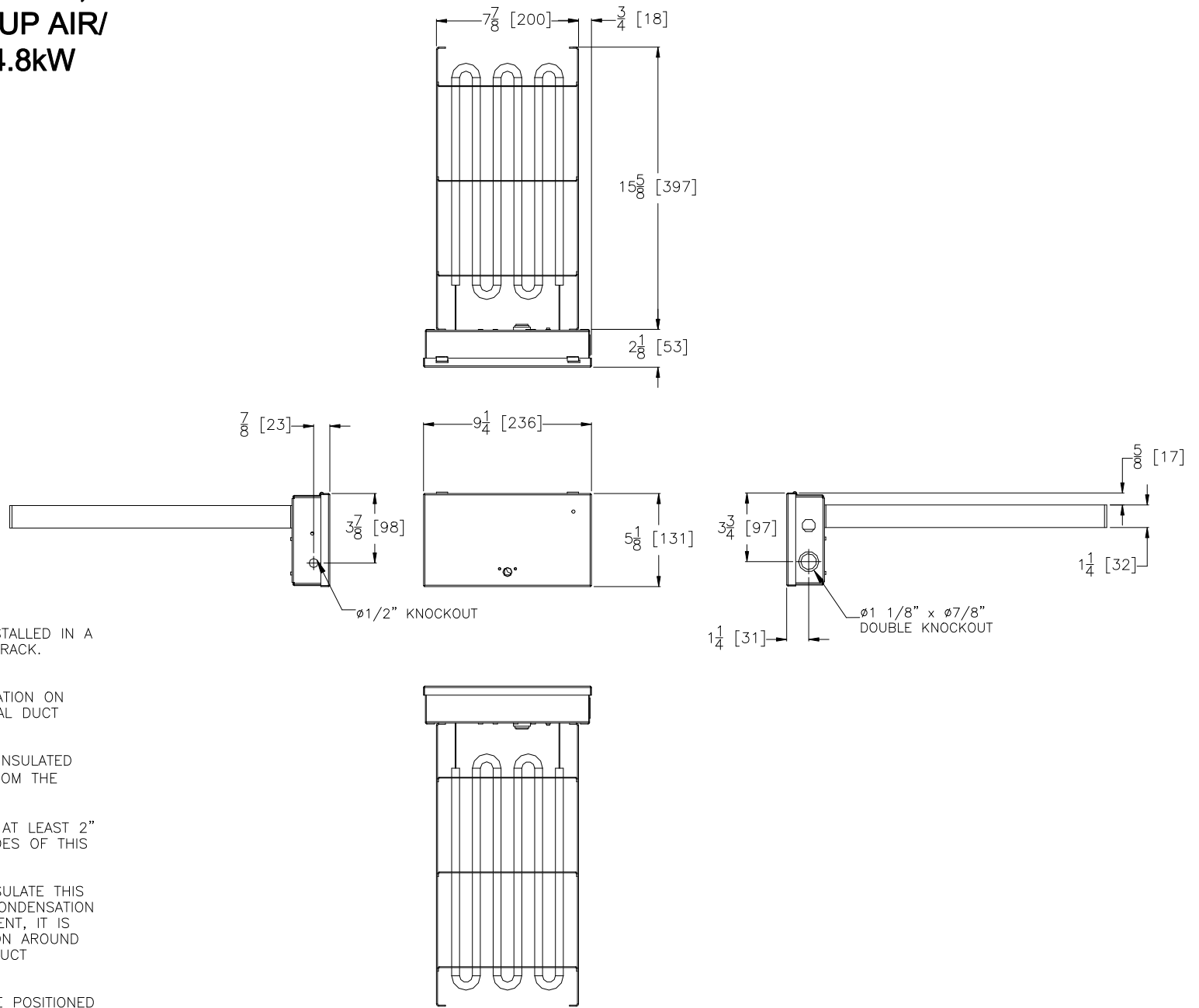


ELECTRO INDUSTRIES, INC.
**ELECTRIC MAKE-UP AIR/
 BOOST HEATER 4.8kW**
(EM-WC0515L)



NOTES:

1. THIS PRODUCT MUST BE INSTALLED IN A METAL DUCT, SIZE OF ELEMENT RACK.
2. THERE SHALL BE NO INSULATION ON THE INSIDE OF THIS SHEET METAL DUCT SECTION.
3. ANY FLEX-PIPE OR OTHER INSULATED PIPE MUST BE AT LEAST 24" FROM THE ELECTRIC ELEMENT.
4. MOUNTING-THERE MUST BE AT LEAST 2" AIR CLEARANCE AROUND ALL SIDES OF THIS SHEET METAL DUCT SECTION.
5. IF THERE IS A NEED TO INSULATE THIS DUCT SECTION FOR MOISTURE CONDENSATION OR IN AN UNHEATED COMPARTMENT, IT IS PERMISSIBLE TO WRAP INSULATION AROUND THE EXTERIOR OF THIS METAL DUCT SECTION.
6. THE CONTROL BOX MUST BE POSITIONED SO IT WILL NOT RECEIVE DRIPPING WATER OR COLLECTION OF MOISTURE.

Rev.A 4-29-13: Released to ARCAT.com

PROPRIETARY AND CONFIDENTIAL NOTE: THE INFORMATION CONTAINED IN THIS DRAWING IS THE SOLE PROPERTY OF ELECTRO INDUSTRIES INC. ANY REPRODUCTION IN PART OR AS A WHOLE WITHOUT THE WRITTEN PERMISSION OF ELECTRO INDUSTRIES INC. IS PROHIBITED.			DESCRIPTION ELECTRIC MAKE-UP AIR/ BOOST HEATER (4.8kW EM-WC0515L)		ELECTRO INDUSTRIES, INC. MONTICELLO, MN 55362	SHEET 1/1	SCALE NTS	PART/MODEL NUMBER EM-WC0515L
DRAWN BAS	CHECKED	APPROVED	DATE 4-29-13	REV/STATUS A	DOCUMENT NUMBER EA902			