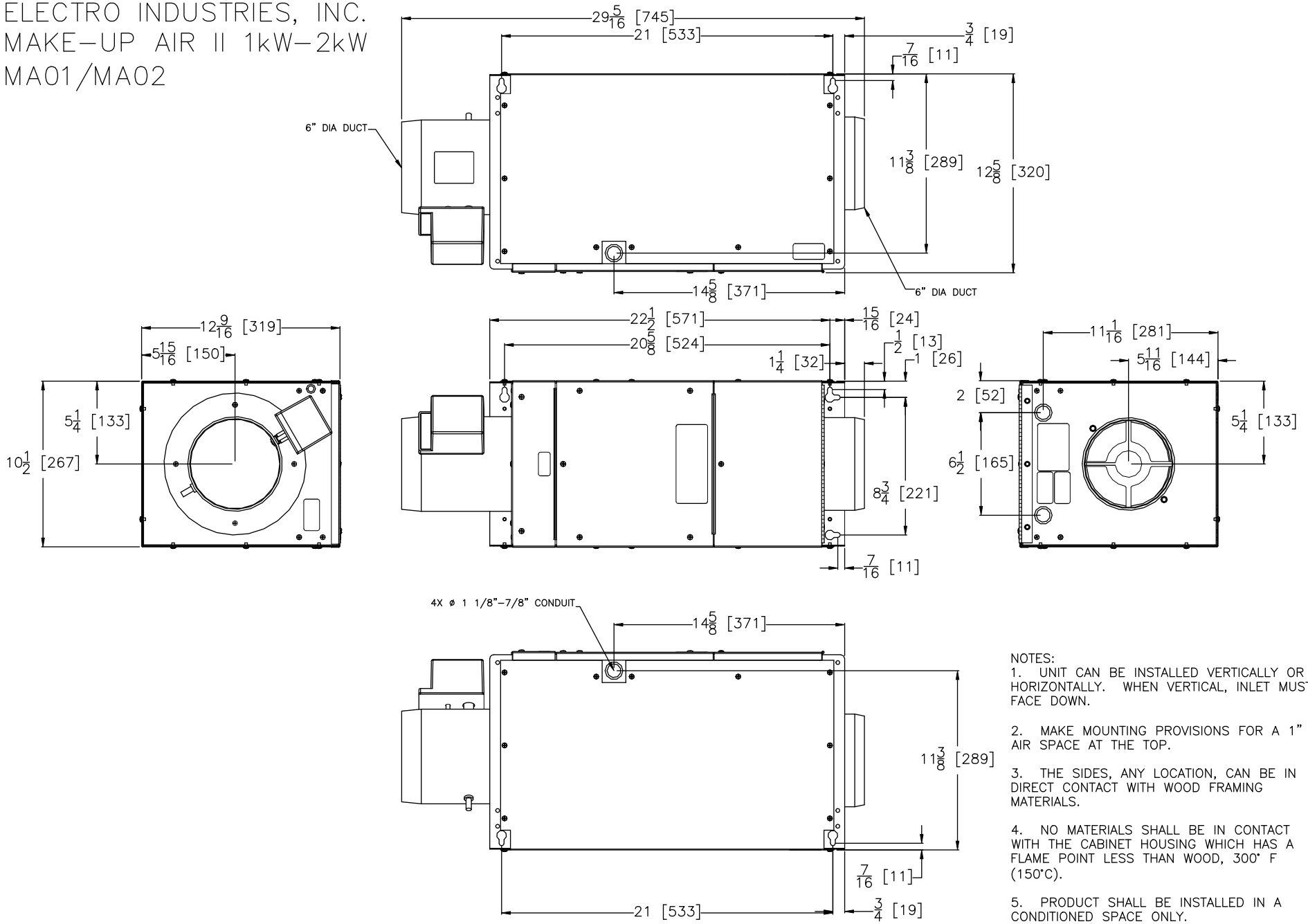


ELECTRO INDUSTRIES, INC.
 MAKE-UP AIR II 1kW-2kW
 MA01/MA02



- NOTES:
1. UNIT CAN BE INSTALLED VERTICALLY OR HORIZONTALLY. WHEN VERTICAL, INLET MUST FACE DOWN.
 2. MAKE MOUNTING PROVISIONS FOR A 1" AIR SPACE AT THE TOP.
 3. THE SIDES, ANY LOCATION, CAN BE IN DIRECT CONTACT WITH WOOD FRAMING MATERIALS.
 4. NO MATERIALS SHALL BE IN CONTACT WITH THE CABINET HOUSING WHICH HAS A FLAME POINT LESS THAN WOOD, 300° F (150°C).
 5. PRODUCT SHALL BE INSTALLED IN A CONDITIONED SPACE ONLY.

Rev.A 8-13-14: Released to ARCAT.com

PROPRIETARY AND CONFIDENTIAL NOTE: THE INFORMATION CONTAINED IN THIS DRAWING IS THE SOLE PROPERTY OF ELECTRO INDUSTRIES INC. ANY REPRODUCTION IN PART OR AS A WHOLE WITHOUT THE WRITTEN PERMISSION OF ELECTRO INDUSTRIES INC. IS PROHIBITED.		DESCRIPTION MAKE-UP AIR II (1KW-2KW) ARCAT CAD DETAILS		ELECTRO INDUSTRIES, INC. MONTICELLO, MN 55362		SHEET 1/1	SCALE NTS	PART/MODEL NUMBER MA01/MA02
DRAWN BAS	CHECKED	APPROVED	DATE 8-13-14	REV/STATUS A	DOCUMENT NUMBER EA921			