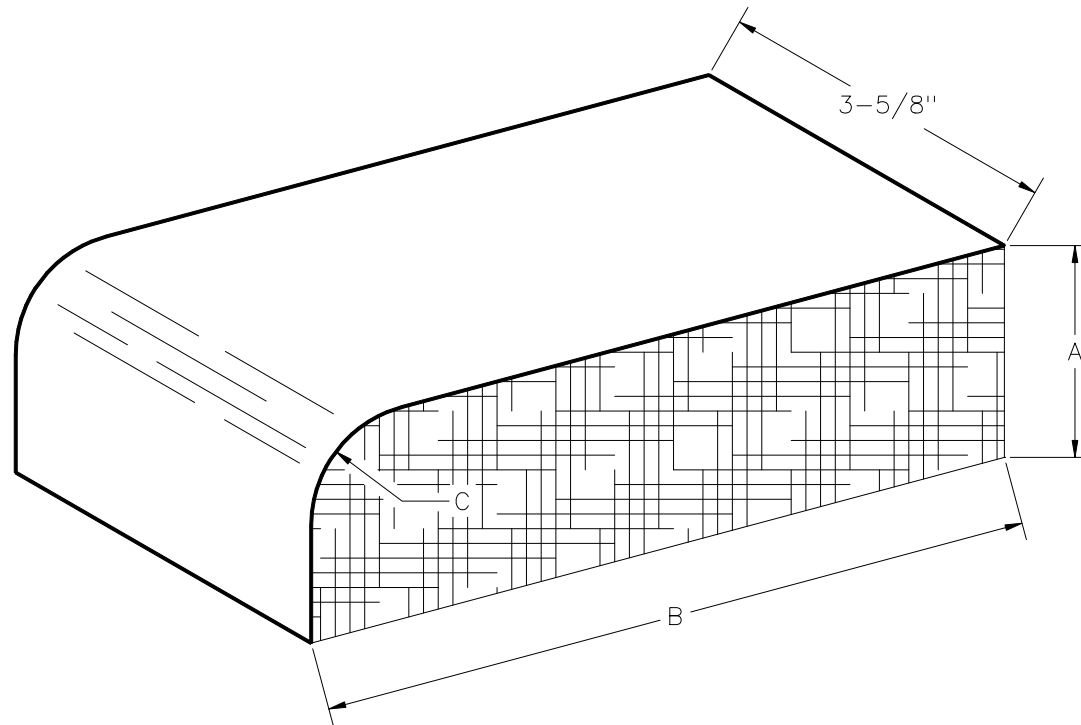


Bullnose Paver



Dimensions Available

- A - $1\text{-}1/4''$, $1\text{-}5/8''$, $2\text{-}1/4''$, $2\text{-}5/8''$
- B - $7\text{-}5/8''$, $11\text{-}5/8''$
- C - Customers choice