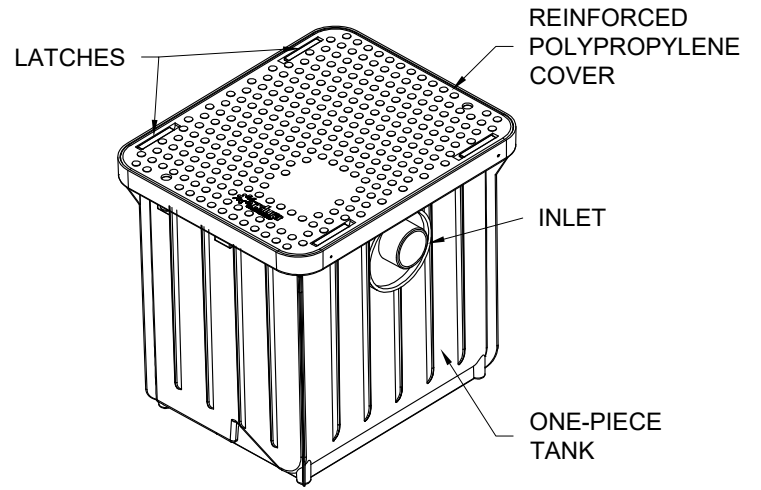
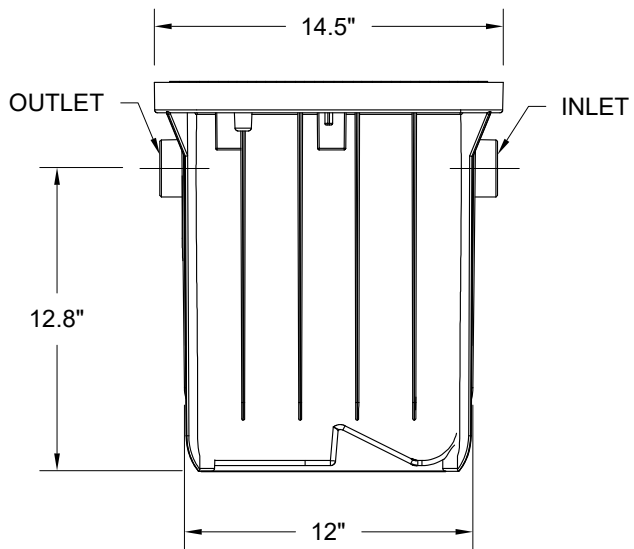


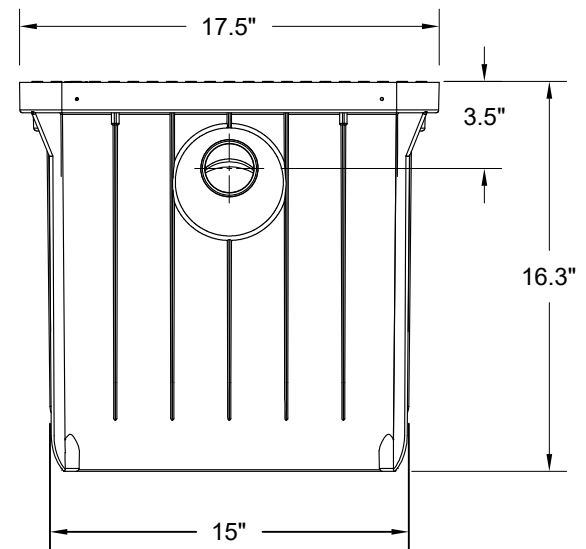
TOP VIEW



ISO VIEW



FRONT VIEW



SIDE VIEW



ASME A112.14.3



G-101



B481.1



**NK CAD DESIGN**  
 www.NKCADD.com  
 289-689-3882

ENDURA GI 10 GPM/20LB 2"  
 PART NO. 3910A02



DATE:	DEC-17-15
SCALE:	1 1/2"=1'-0"
DWG NO:	3910A02 / 1