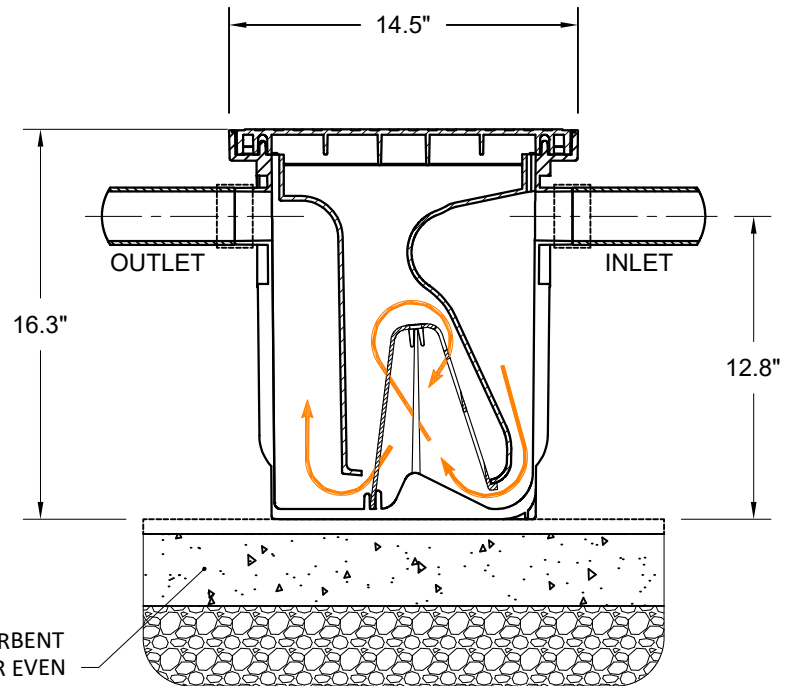


IN-FLOOR INSTALLATION



ON-FLOOR INSTALLATION

LEVEL, NON-ABSORBENT
MATERIAL FOR EVEN
SUPPORT OF TANK

NOTE:

1. FINISH TO FLOOR LEVEL ACCOMMODATING REQUISITE MATERIALS, E.G. TILE, MORTAR, ETC.
2. ACCESSIBLE FLOW CONTROL DEVICE (FCD) IS SUPPLIED FOR INSTALLATION UPSTREAM OF THE GREASE INTERCEPTOR (GI)



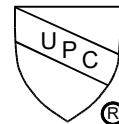
ASME A112.14.3



G-101



B481.1



NK CAD DESIGN
www.NKCADD.com
289-689-3882

ENDURA GI 15 GPM/30LB 2"
PART NO. 3915A02



DATE:	DEC-18-15
SCALE:	1 1/2"=1'-0"
DWG NO:	3915A02 / 2