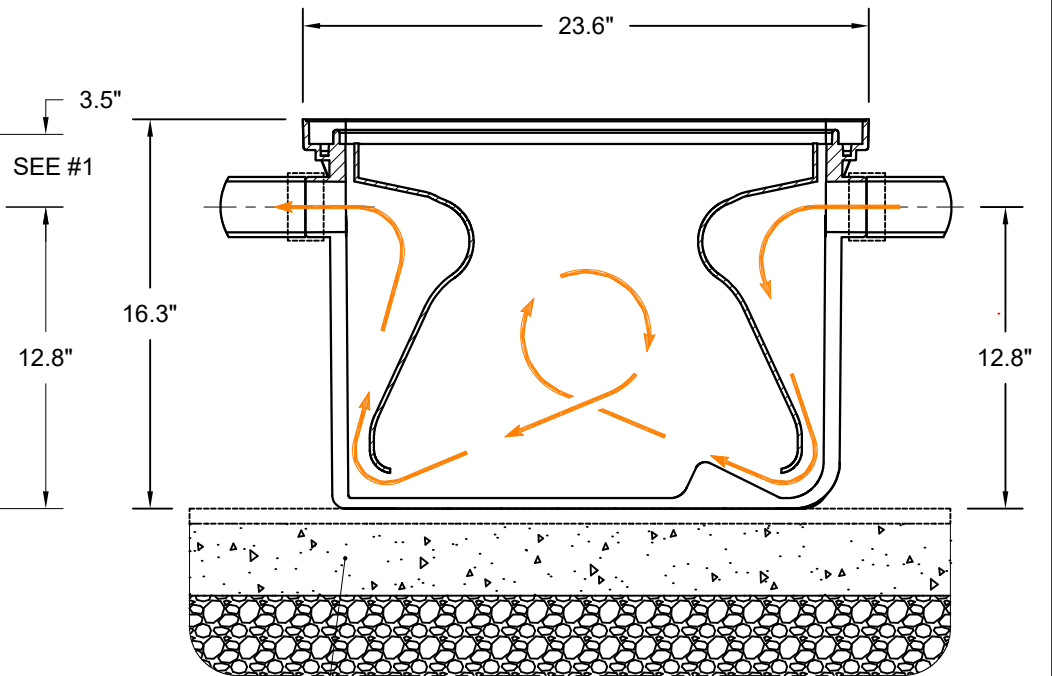


IN-FLOOR INSTALLATION



LEVEL, NON-ABSORBENT  
MATERIAL FOR EVEN  
SUPPORT OF TANK

ON-FLOOR INSTALLATION

**NOTE:**

1. FINISH TO FLOOR LEVEL ACCOMMODATING REQUISITE MATERIALS, E.G. TILE, MORTAR, ETC.
2. ACCESSIBLE FLOW CONTROL DEVICE (FCD) IS SUPPLIED FOR INSTALLATION UPSTREAM OF THE GREASE INTERCEPTOR (GI) -- 2" INLET/OUTLET
3. MODULAR EXTENSION RISER (3920AX6) AVAILABLE FOR IN-FLOOR INSTALL, IF REQUIRED.



ASME A112.14.3



G-101



B481.1



NK CAD DESIGN  
www.NKCADD.com  
289-689-3882

20GPM GREASE INTERCEPTOR  
PART NO. 3920A02



DATE:	DEC-18-15
SCALE:	1 1/2"=1'-0"
DWG NO:	3920A02 / 2