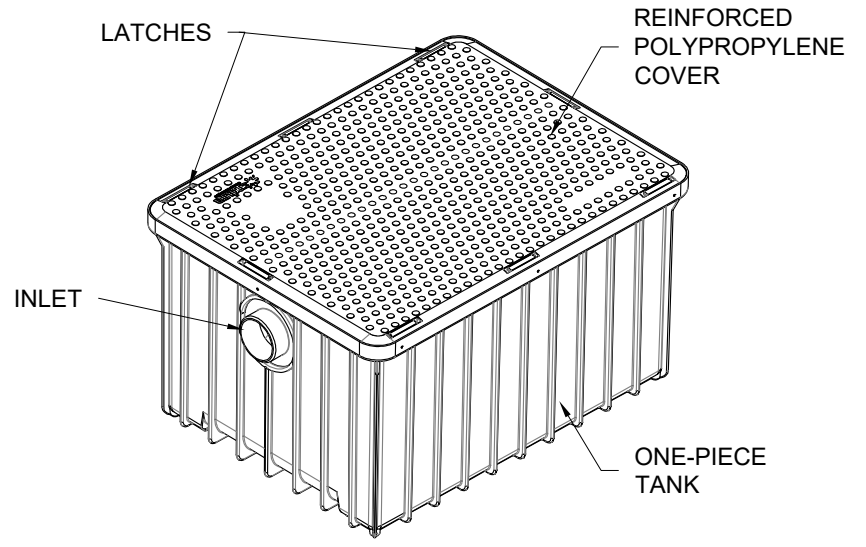
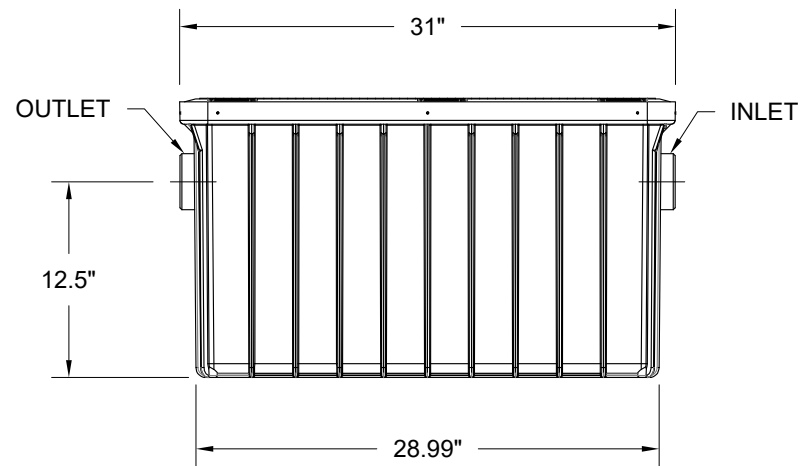


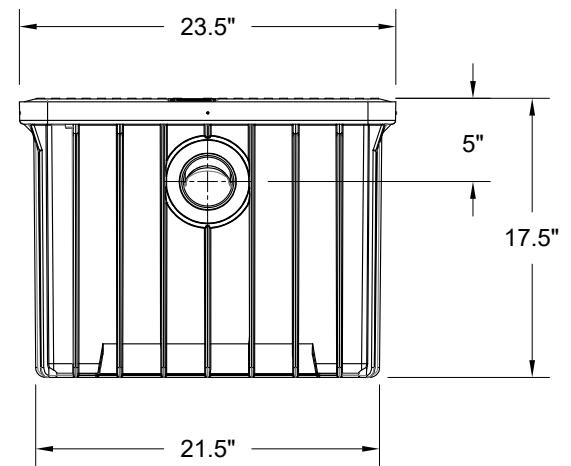
TOP VIEW



ISO VIEW



FRONT VIEW



SIDE VIEW



ASME A112.14.3



G-101



B481.1



NK CAD DESIGN
 NK CAD DESIGN
 WWW.NKADD.COM
 289-689-3882

35GPM GREASE INTERCEPTOR PART NO. 3935A04	
DATE:	DEC-18-15
SCALE:	1"=1'-0"
DWG NO:	3935A04 / 1