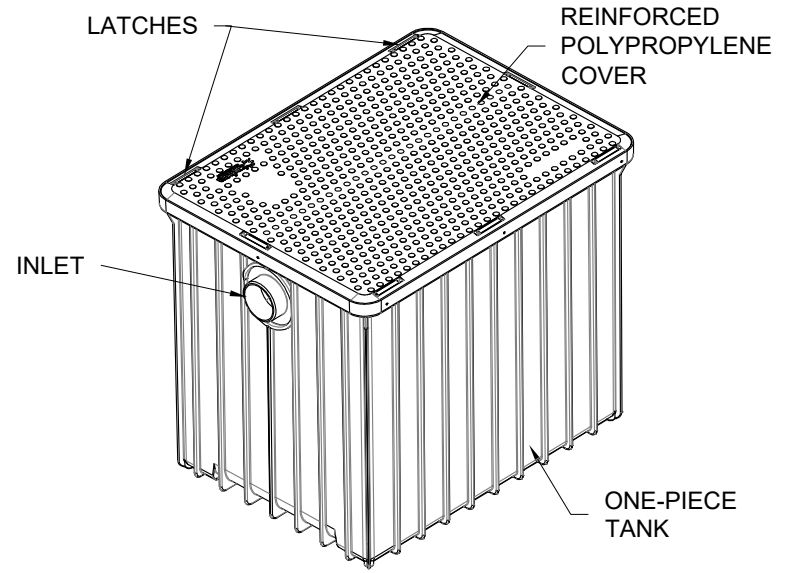
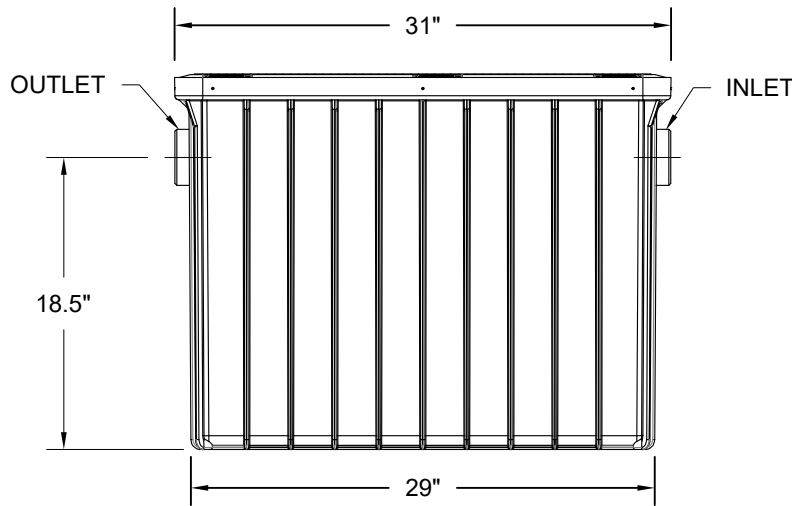


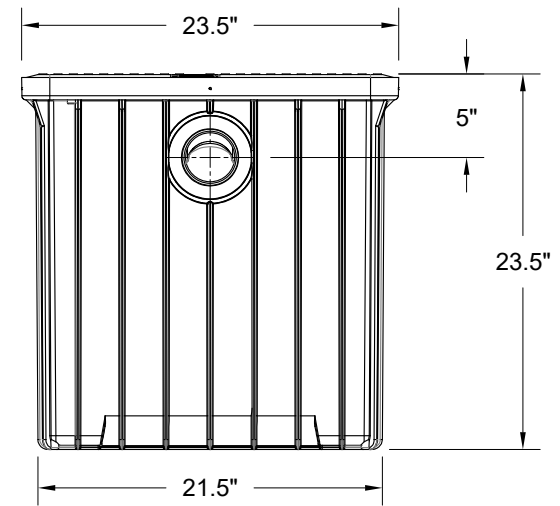
TOP VIEW



ISO VIEW



FRONT VIEW



SIDE VIEW



ASME A112.14.3



G-101



B481.1



NK CAD DESIGN
www.NKCADD.COM
289-689-3882

50GPM GREASE INTERCEPTOR
PART NO. 3950A03



DATE:	DEC-18-15
SCALE:	1"=1'-0"
DWG NO:	3950A03 / 1