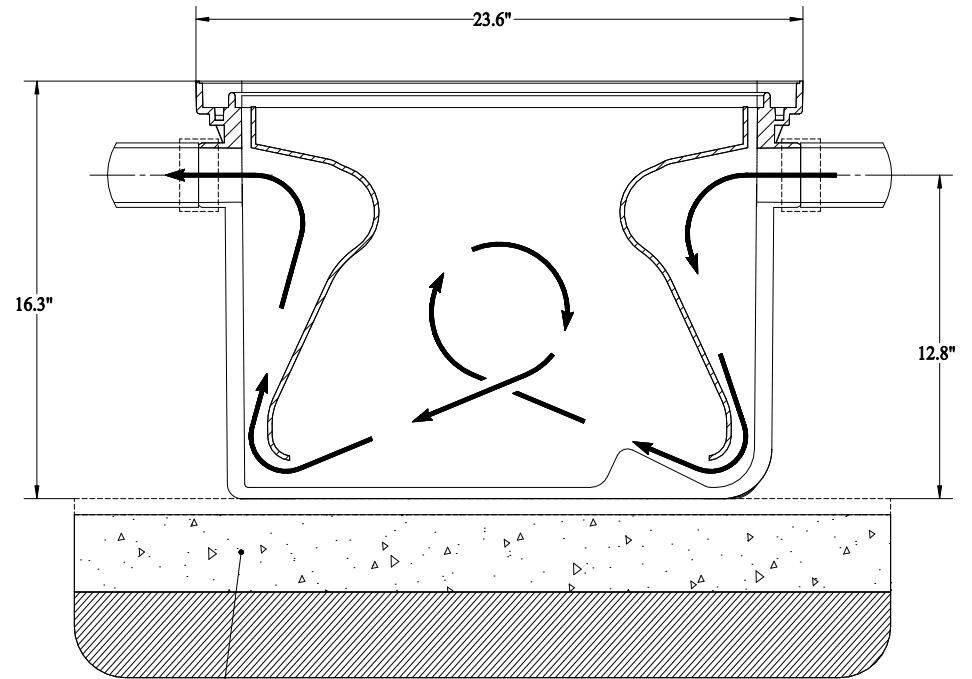


IN-FLOOR INSTALLATION



**LEVEL, NON-ABSORBENT
MATERIAL FOR EVEN
SUPPORT OF TANK**

ON-FLOOR INSTALLATION

NOTE:

1. FINISH TO FLOOR LEVEL ACCOMMODATING REQUISITE MATERIALS, E.G. TILE, MORTAR, ETC.
2. ACCESSIBLE FLOW CONTROL DEVICE (FCD) IS SUPPLIED FOR INSTALLATION UPSTREAM OF THE GREASE INTERCEPTOR (GI) – 2" INLET/OUTLET
3. MODULAR EXTENSION RISER (3920AX6) AVAILABLE FOR IN-FLOOR INSTALL, IF REQUIRED.



ASME A112.14.3



G-101



B481.1



NK CAD DESIGN
www.nkcadd.com
289-689-3882

15GPM GREASE INTERCEPTOR
PART NO. 3915A02



DATE:	MAY-17-18
SCALE:	1 1/2"=1'-0"
DWG NO:	3915A02 / 2