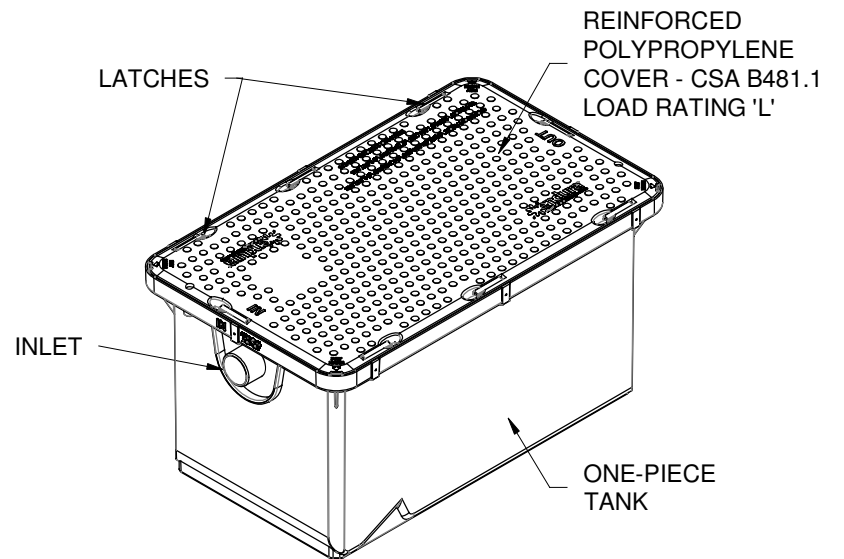
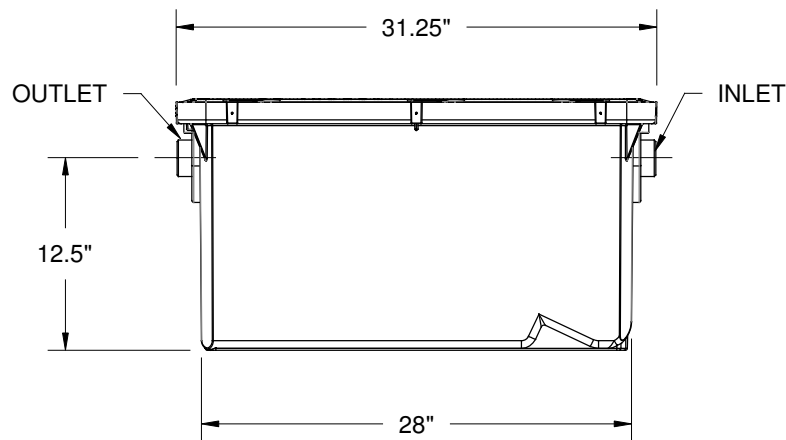


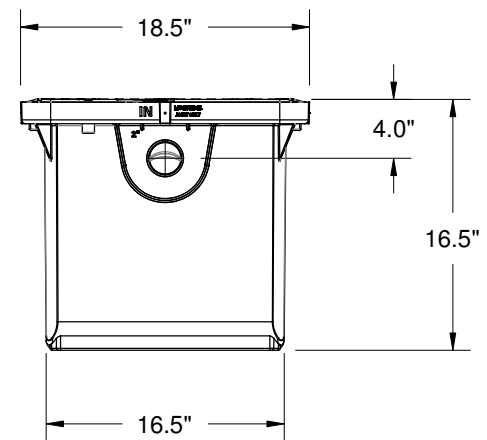
TOP VIEW



ISO VIEW



FRONT VIEW



SIDE VIEW



U.P. CODE
ASME A112.14.3
CSA B481.1



G-101



NK CAD DESIGN
www.NKCADD.com

25GPM GREASE INTERCEPTOR
PART NO. 3925XTA02



DATE:	OCT-13-16
SCALE:	1"=1'-0"
DWG NO:	3925XTA02 / 1