

Endura® XL - INTERIOR or EXTERIOR BELOW GRADE INSTALLATION INSTRUCTIONS
BELOW GRADE INSTALLATION INSTRUCTIONS

1. EXCAVATION

- 1.1 Install the Endura® XL unit(s) as close as possible to fixtures being serviced, ideally within 25ft of developed pipe run from the last fixture to the inlet of the interceptor.
- 1.2 Width and length of excavation shall be minimum 12" greater than the tank dimensions on all sides.
- 1.3 Depth of excavation shall be at least 6" deeper than tank bottom.
- 1.4 **IMPORTANT:** Maximum burial depth 6ft (72") measured from the air balance channel (EnduraXL Logo) to finished grade/floor level. Riser extensions available (40100AX35) (40100AX18) - (see below).
- 1.5 Set the tank on well-packed crushed aggregate material approximately 3/4" size rock, pea gravel or sand. When setting Endura® XL units they must be level laterally and longitudinally.
- 1.6 Endura® XL tanks are specifically designed to resist bouyancy in high water table conditions. Additional anchoring may however be necessary as determined by the specifying engineer. Tie-down locations are incorporated to the tank and can be used in conjunction with coated stainless steel cable and an applicable anchor method based on subsoil. Specific requirements to be determined by specifying engineer.

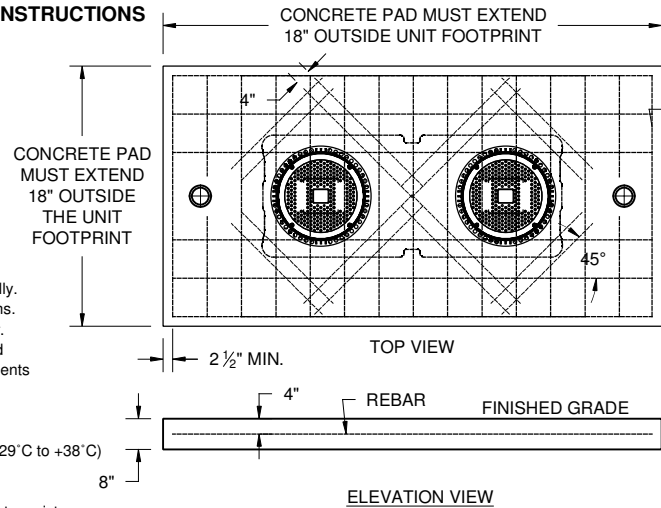
2. BACKFILLING & FINISHED CONCRETE SLAB (TRAFFIC LOAD RATED)

- Endura® XL is supplied standard with traffic rated covers designed in accordance with AASHTO 304 - H20 (16,000lbs) and approved to CSA B481.0 Class 'S' -20°F to +100°F (-29°C to +38°C)
 - 2.1 Preparation of sub grade per local jurisdictional recommendations.
 - 2.2 Stabilize and compact sub grade to 95% proctor per Excavation information above.
 - 2.3 Fill tank with water (to discharge level) to prevent movement during backfilling process and to resist backfill load.
 - 2.4 Before backfilling and pouring of slab, install riser(s) (as necessary) and cover assembly to suit finished floor/grade level.
 - 2.5 Backfill using crushed aggregate material approximately 3/4" size rock, pea gravel or sand.
 - 2.6 Place minimum 6" aggregate base beneath poured structural slab. Aggregate should be 3/4" size rock or pea shingle.
 - 2.7 Thickness of concrete around cover to be determined by specifying engineer. If traffic loading is required refer to local specifying engineer recommendations and/or local code requirements. Note: Concrete slab dimensions shown are for illustration purposes only.
 - 2.8 Concrete to be 28 day compressive strength to 4000 PSI. Reinforcement with No.4 rebar (1/2") grade 60 steel per ASTM A615: connected with tie wire. Rebar to be 2 1/2" from edge of concrete. Rebar spacing 12" grid. 4" spacing around access openings.
- 3. PIPING CONNECTIONS**
- 3.1 All Endura® XL Grease Interceptors are manufactured with no hub connections. Threaded connections are available from your Endura distributor suffixing the product code with 'T' - i.e. 40100A04T
 - 3.2 Locally approved mechanical joint (MJ) couplings are used to connect the inlet and outlet piping to the tank. This allows transition to different piping materials as required.
 - 3.3 Make system piping connections using locally approved MJ couplings installing to manufacturer's instructions. Review all field-made connections for leaks before backfilling begins. Isolate the tank from the system both up and down stream and fill tank with water, submersing the inlet and outlet fully below the water level. **DO NOT PRESSURE TEST - Risk of serious Injury or Death.**

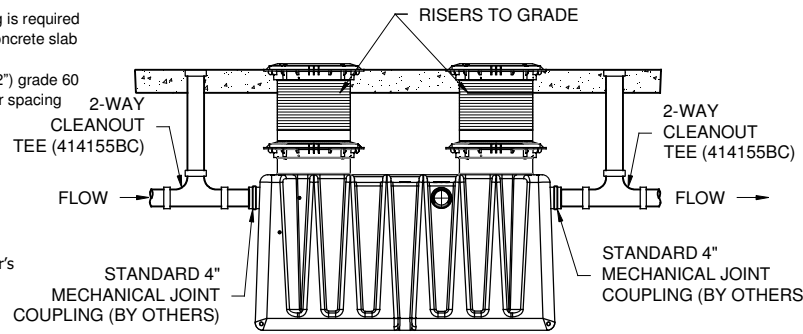
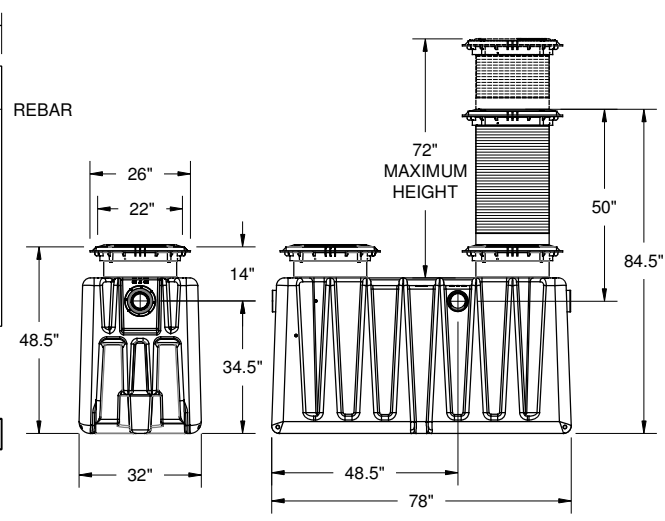
- 3.4 **DO NOT** decrease pipe diameter across the unit (i.e. 4 inch inlet, 3 inch outlet). If the piping system needs to be resized, use appropriate mechanical joint reducers consistent with the direction of flow and installed in compliance with local code.

4. EXTENSION RISERS (Optional)

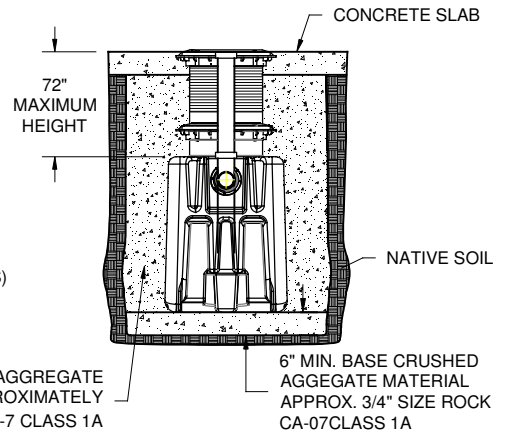
- 4.1 Endura® XL Extension Risers provide a maximum of 35" extension per riser. Based on maximum installation depth up to a maximum of 72" depth of burial can achieved (see 1.4 above), adding Extension Risers (or part thereof) during installation. Risers are cut to length on site to suit installation.
- 4.2 Remove cover from interceptor. Set aside for use at finished grade/floor level.
- 4.3 Secure riser to tank (frame remains in place) using fixings provided. Ensure seal is correctly located.
- 4.4 Secure the 1-1/2" adapter fitting supplied with the Extension Kit to the thread on the top of the handle mechanism. Cut and extend a length of 1 1/2" DWV pipe per instructions supplied.
- 4.5 For custom riser length - measure from tank frame to finished grade/floor level. Subtract 1 1/2". Cut cleanly by hand or mechanical means using guide rings molded into the riser to give clean straight cut. Note - Horizontal surface of cover will be 0.5" above finished floor/grade.
- 4.6 Fit riser seal provided over the cut edge of the riser and locate frame (supplied) over the seal making sure it is fully seated. Secure with lag screws provided using the pre-drilled locations in frame.
- 4.7 Repeat process for additional riser if/as required.
- 4.8 With frame installed and verified at the correct height, pass the handle extension support over the 1 1/2" DWV and secure the support to the frame with the screw provided. Solvent weld a 1 1/2" vent tee on top of the pipe to act as a handle.
- 4.9 Re-fit the original cover(s) provided with the interceptor.



CONCRETE SLAB DETAIL FOR TRAFFIC LOADING (INTERIOR OR EXTERIOR)



SIDE VIEW FOR UNIT DETAILS SEE SPECIFICATIONS SHEET FOR SELECTED UNIT (CONNECTING PIPE AND FITTINGS BY OTHERS)



EXCAVATION AND BACKFILL DETAIL (INTERIOR OR EXTERIOR)

NOTES:

Endura XL grease interceptors are rated and supplied with an internal flow control system already in place. They do not require an external flow control system or air intake vent unless specified by local code requirements or being operated as a PDI G-101 installation. Endura XL grease interceptors are only to be installed in the manner and for the application shown. Consult local codes for separate trapping requirements, cleanout locations and additional installation instructions. Full instructional information supplied with every interceptor.

PROPRIETARY AND CONFIDENTIAL - © Canplas Industries 2016



	100GPM 4" XL GREASE INTERCEPTOR PRODUCT MODEL NO. □ 40100A04 OR □ 40100A04T	
NK CAD DESIGN WWW.NKCADD.COM	DATE: SCALE: DWG NO:	JUN-27-16 NTS XL100-TRI