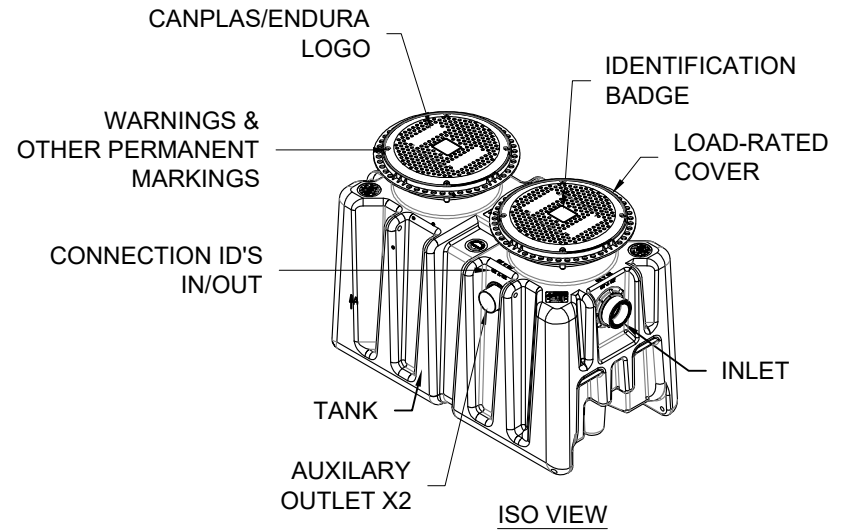
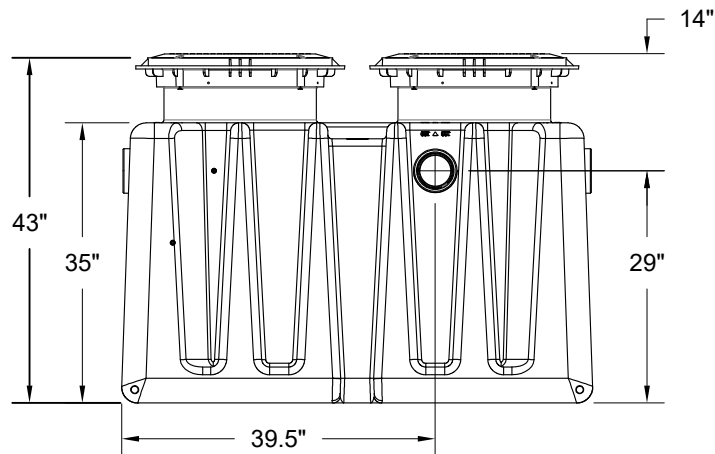


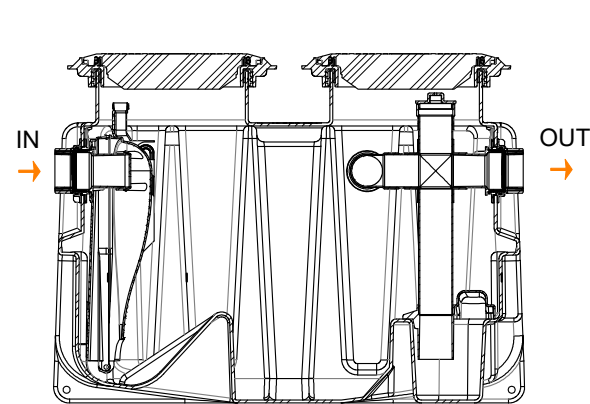
TOP VIEW



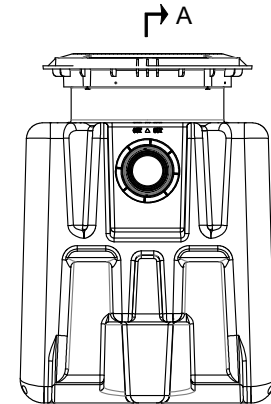
ISO VIEW



FRONT VIEW



SECTION A-A



SIDE VIEW



G-101



ES15741
ASME A112.14.3 & CSA B481.1



NK CAD DESIGN
www.NKCADD.com
289-689-3882

75GPM 4" XL GREASE INTERCEPTOR
PRODUCT MODEL NO. 4075A04



DATE:	JUN-01-16
SCALE:	1/2"=1'-0"
DWG NO:	XL75 / 1