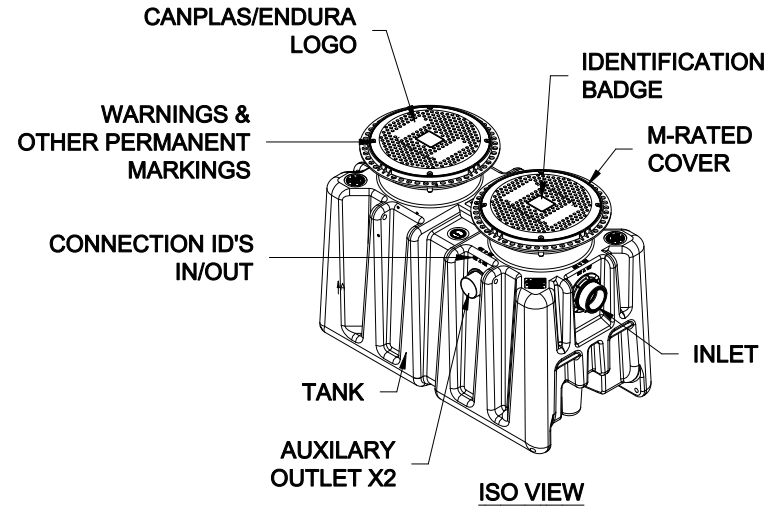
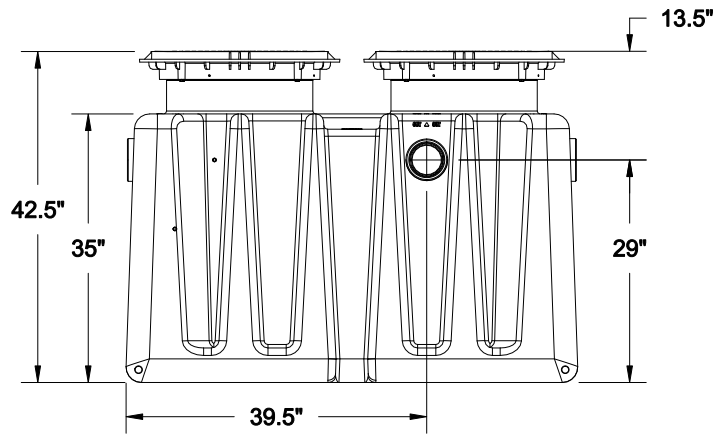


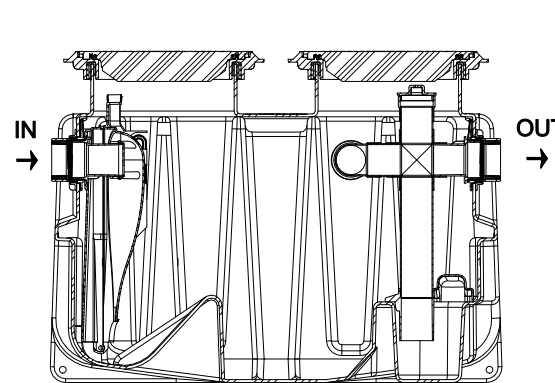
TOP VIEW



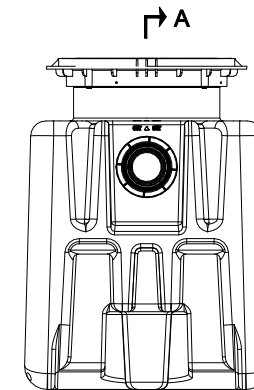
ISO VIEW



FRONT VIEW



SECTION A-A



SIDE VIEW



G-101



C US

U.P. CODE

ASME A112.14.3 & CSA B481.1



NK CAD DESIGN
www.nkcadd.com

75GPM 4" XL GREASE INTERCEPTOR,
NOT TRAFFIC RATED PRODUCT
MODEL NO. 4075A04M(T)



DATE:	SEP-01-17
SCALE:	1/2"=1'-0"
DWG NO:	XL75M / 1