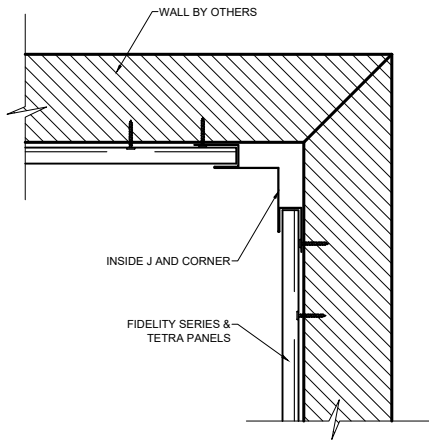
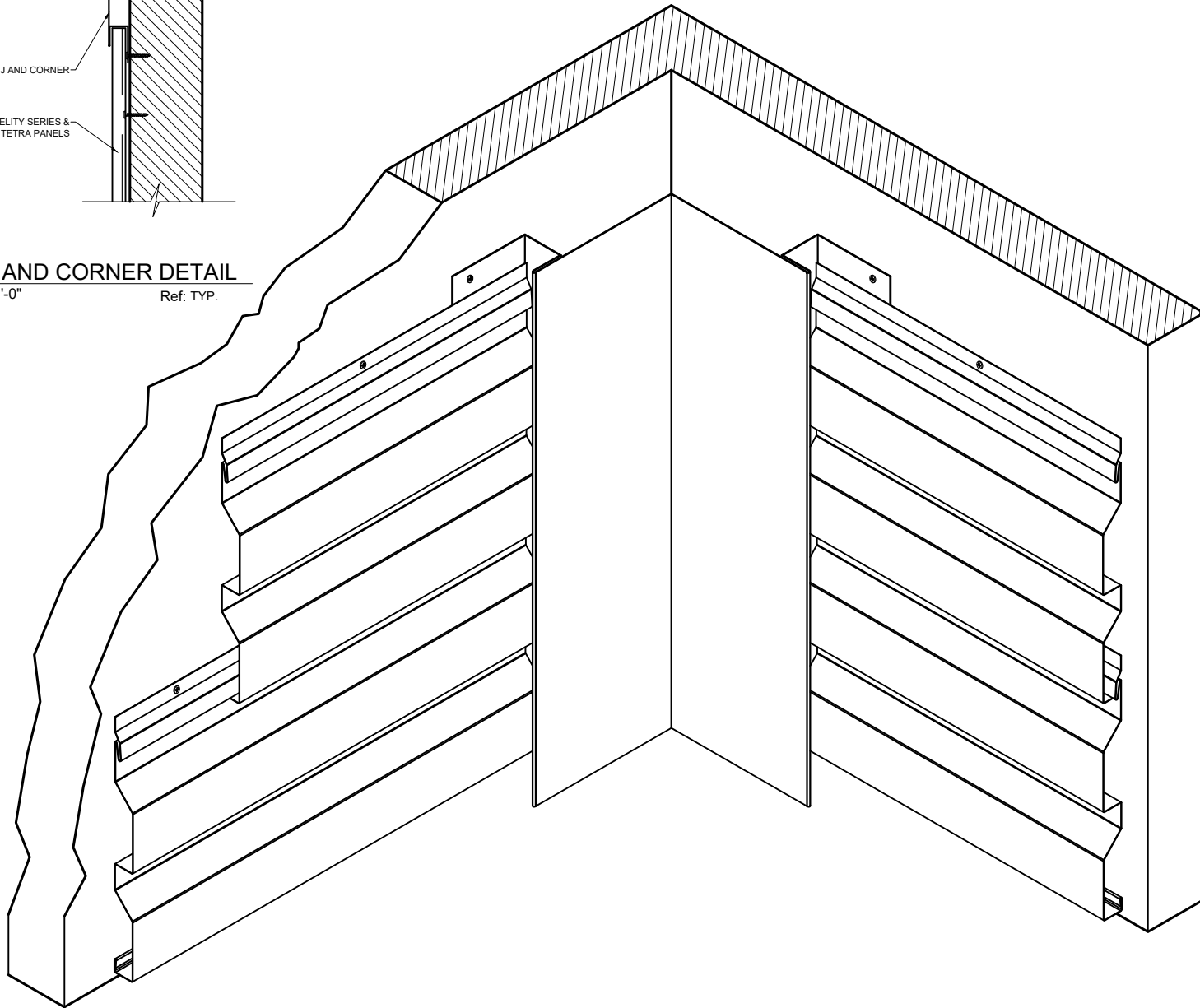


SECTION VIEW FROM ABOVE



5
A-201

INSIDE J AND CORNER DETAIL
Scale: 1"=1'-0" Ref: TYP.



REVISIONS

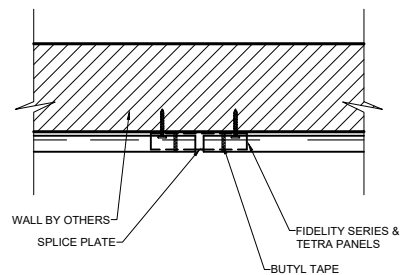
No.	Date	Rev By:

Scale: 1"= 1'-0"

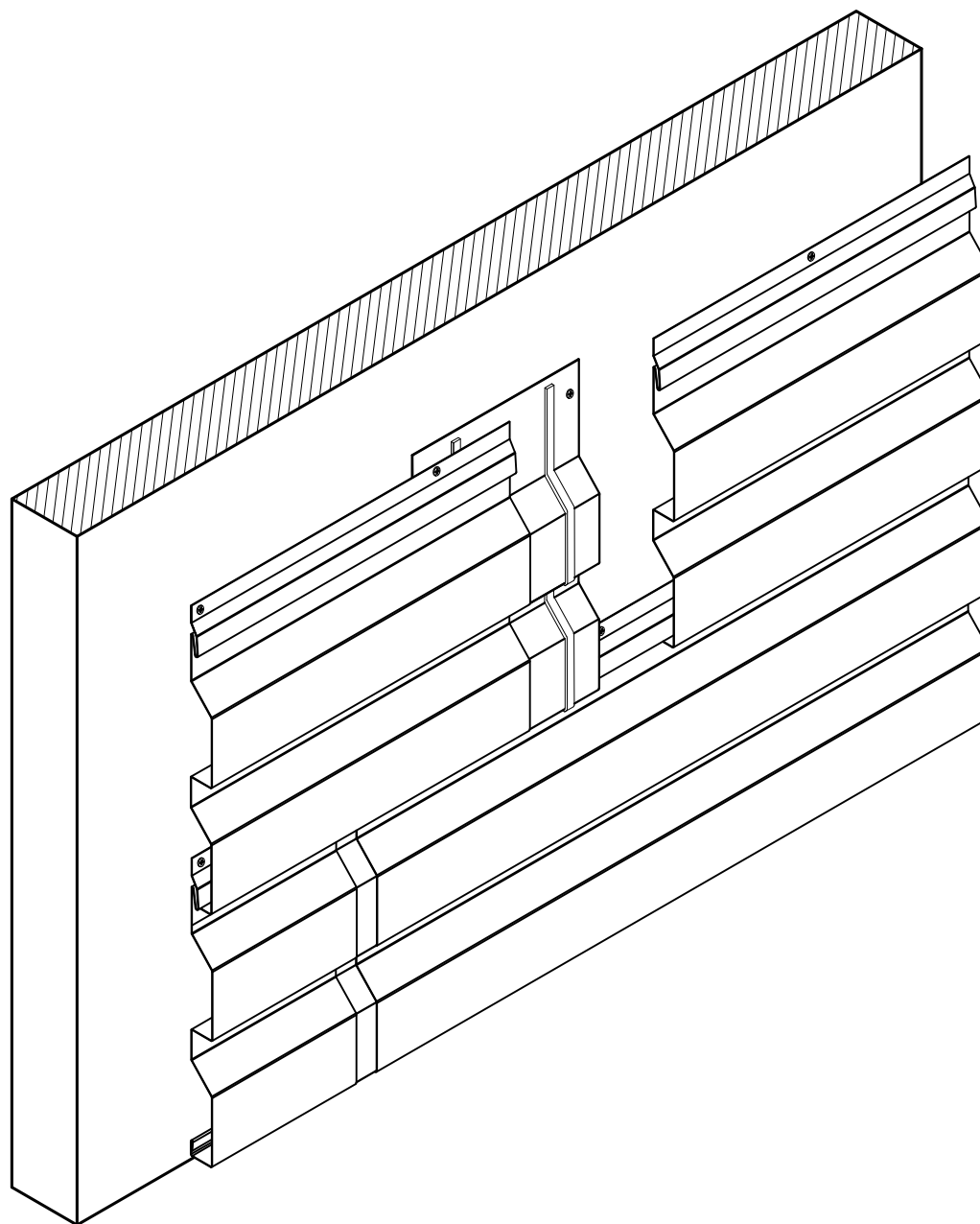
Proj. No.: 1XXXXXXX
 Drawn By: VOM
 Date: 03/11/2020
 Sheet No.:

ISO-5

SECTION VIEW FROM ABOVE



NOTE: STAGGER THE SPLICE PLATE LAPS TO ENSURE PROPER FIT AND SEAL.



7 HORIZONTAL SPLICE
A-201 Scale: 1"-1'-0" Ref: TYP.

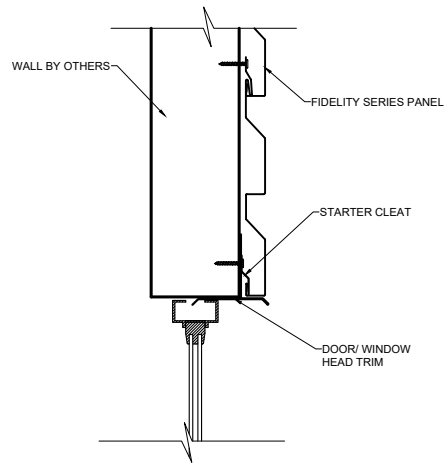
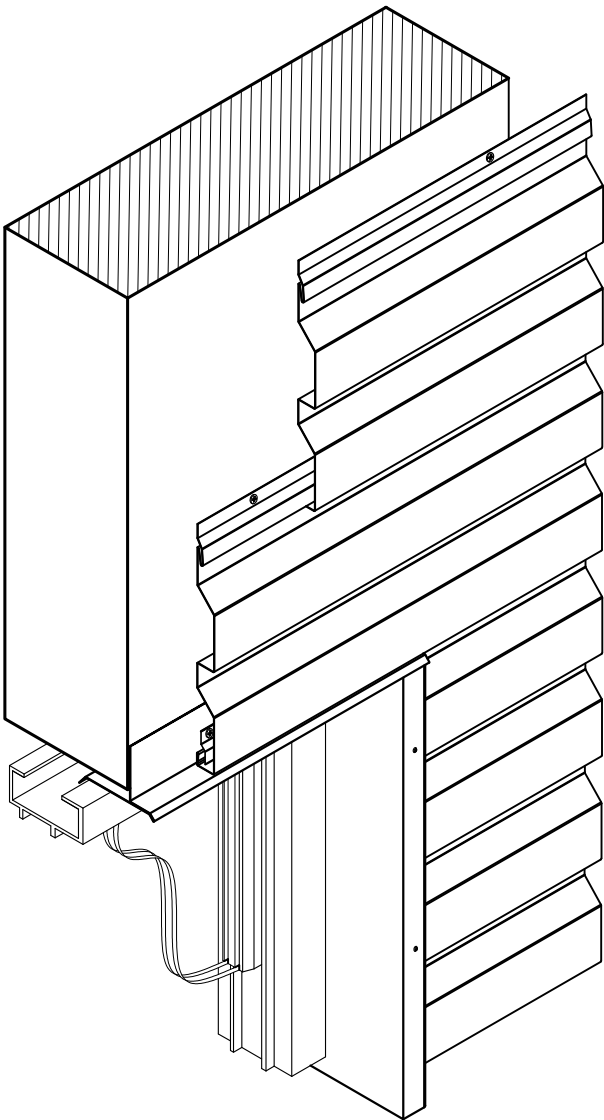
REVISIONS

No.	Date	Rev By:

Scale: 1"= 1'-0"

Proj. No.: 1XXXXXX
Drawn By: VOM
Date: 03/11/2020
Sheet No.:

ISO-7



9
A-201

OPENING HEADER DETAIL
Scale: 1"-1'-0"

Ref: TYP.

REVISIONS

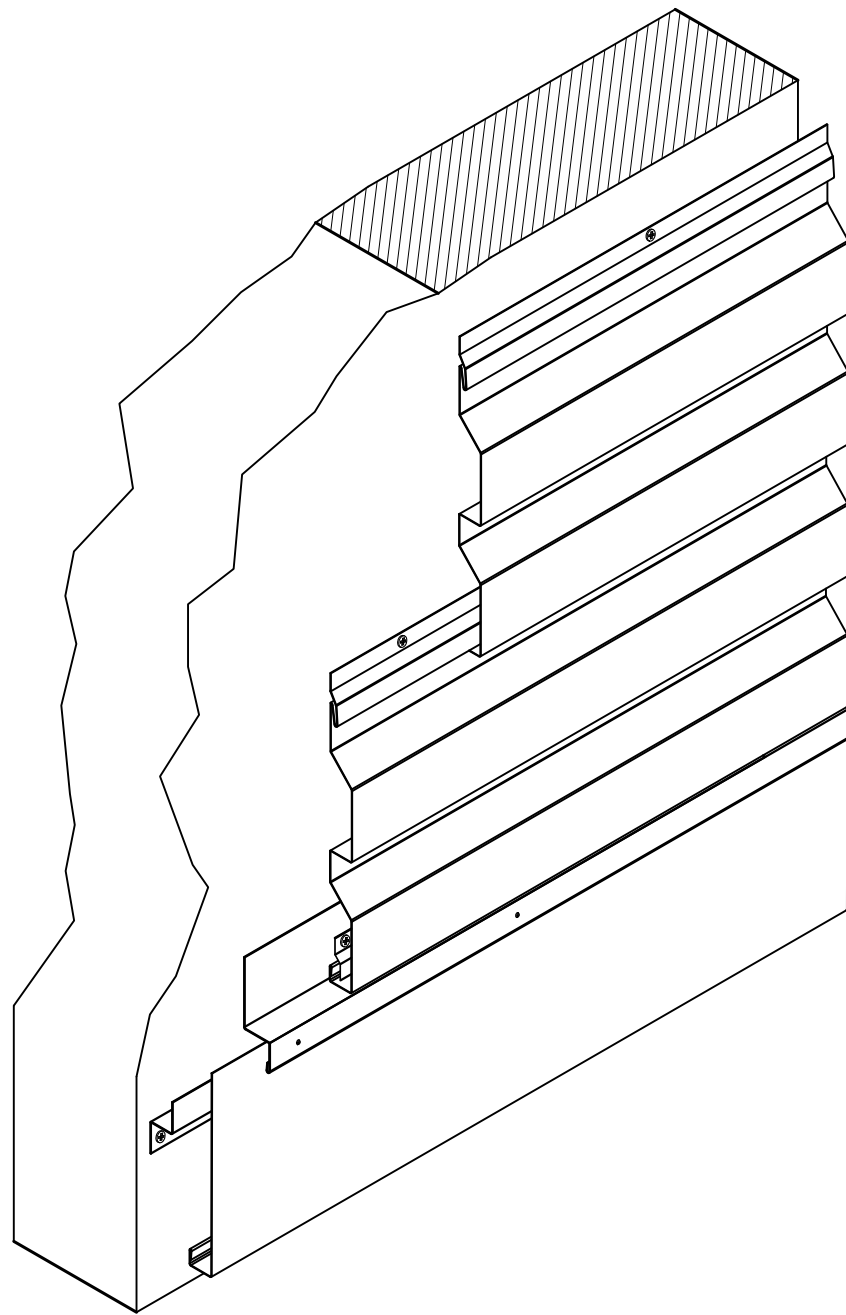
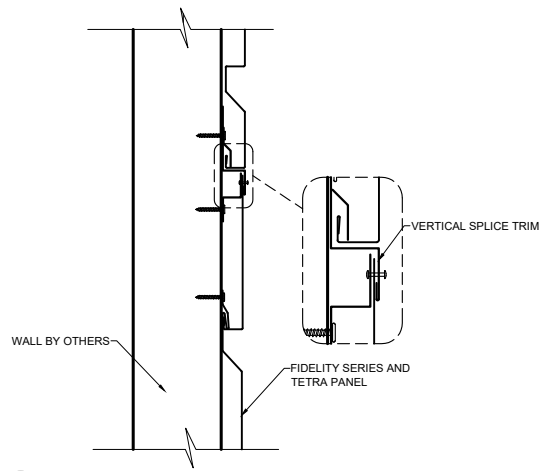
No.	Date	Rev By:

Scale: 1"= 1'-0"

Proj. No.: 1XXXXXXX
 Drawn By: VOM
 Date: 03/11/2020
 Sheet No.:

ISO-9

FIDELITY SERIES & TETRA PANEL
10 Enterprise Court, Lebanon, PA



10 VERTICAL WALL SPLICE DETAIL
A-201 Scale: 1"-1'-0" Ref: TYP.

REVISIONS

No.	Date	Rev By:

Scale: 1"= 1'-0"

Proj. No.: 1XXXXXX
 Drawn By: VOM
 Date: 03/11/2020
 Sheet No.:

ISO-10