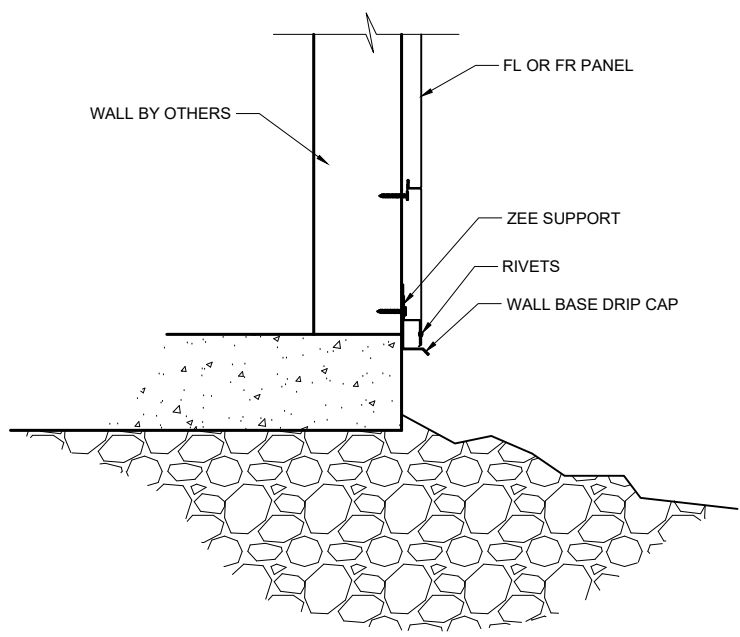
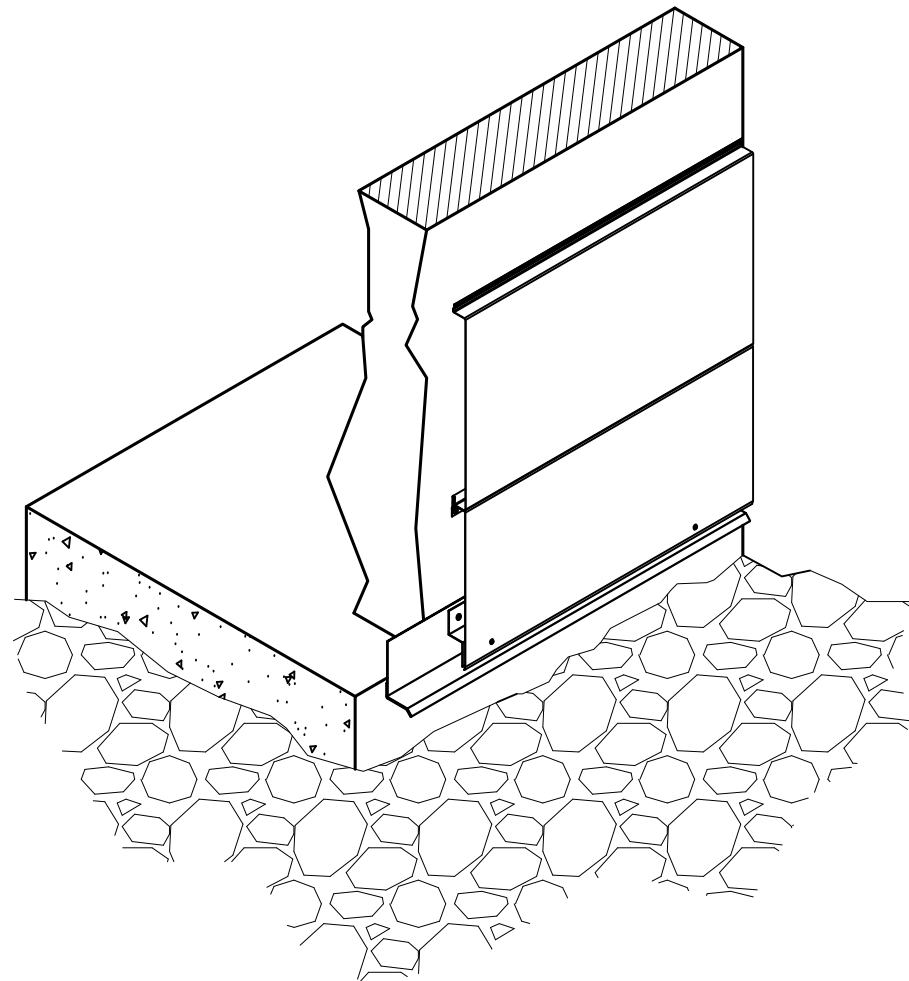


FP & RP PANEL DETAILS
10 Enterprise Court, Lebanon, PA



REVISIONS

No.	Date	Rev By:

Scale: 1"= 1'-0"

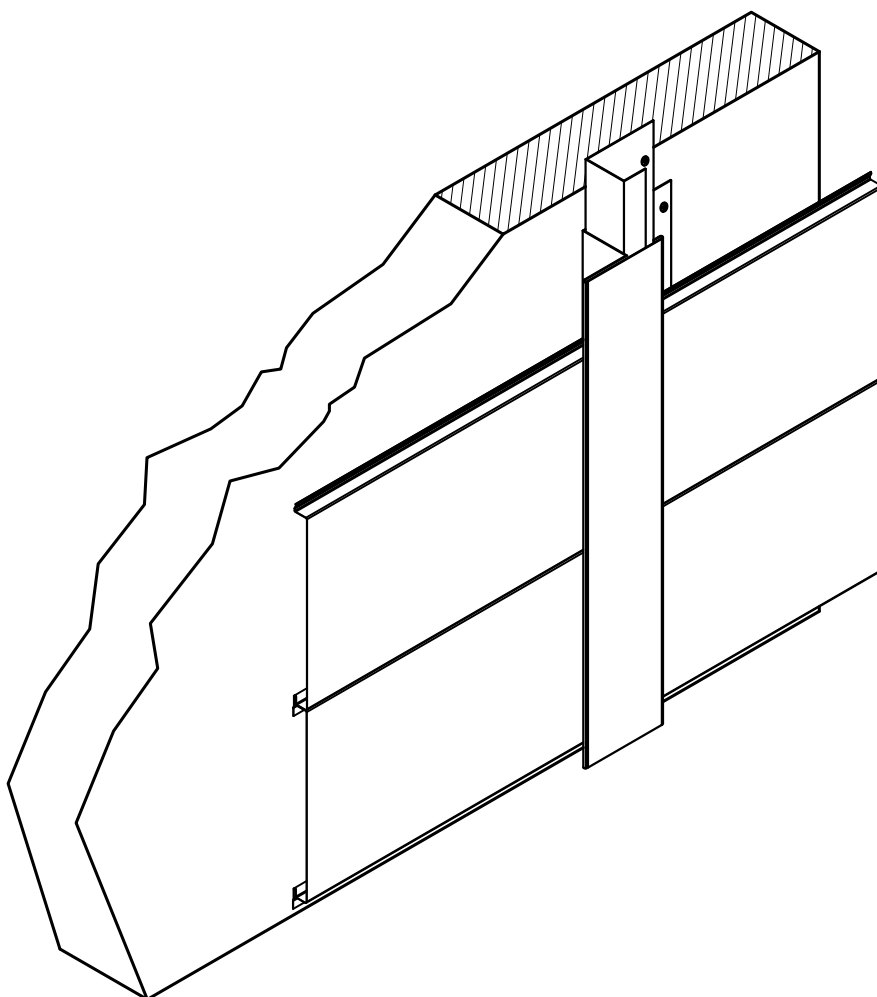
Proj. No.: 1XXXXXXX
 Drawn By: VOM
 Date: 03/11/2020
 Sheet No.:

ISO-H1

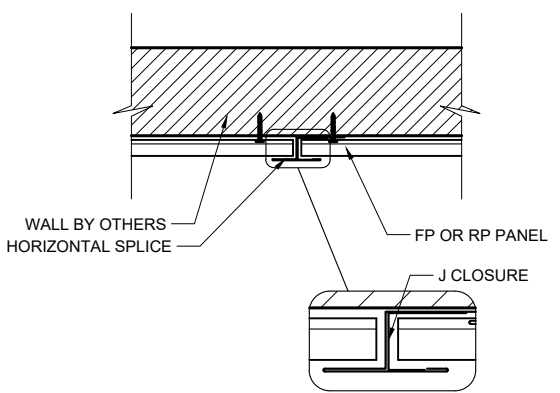
1 WALL BASE DETAIL
 A-201 Scale: 1"=1'-0"

Ref: TYP.

FP & RP PANEL DETAILS
10 Enterprise Court, Lebanon, PA



SECTION VIEW FROM ABOVE



REVISIONS

No.	Date	Rev By:

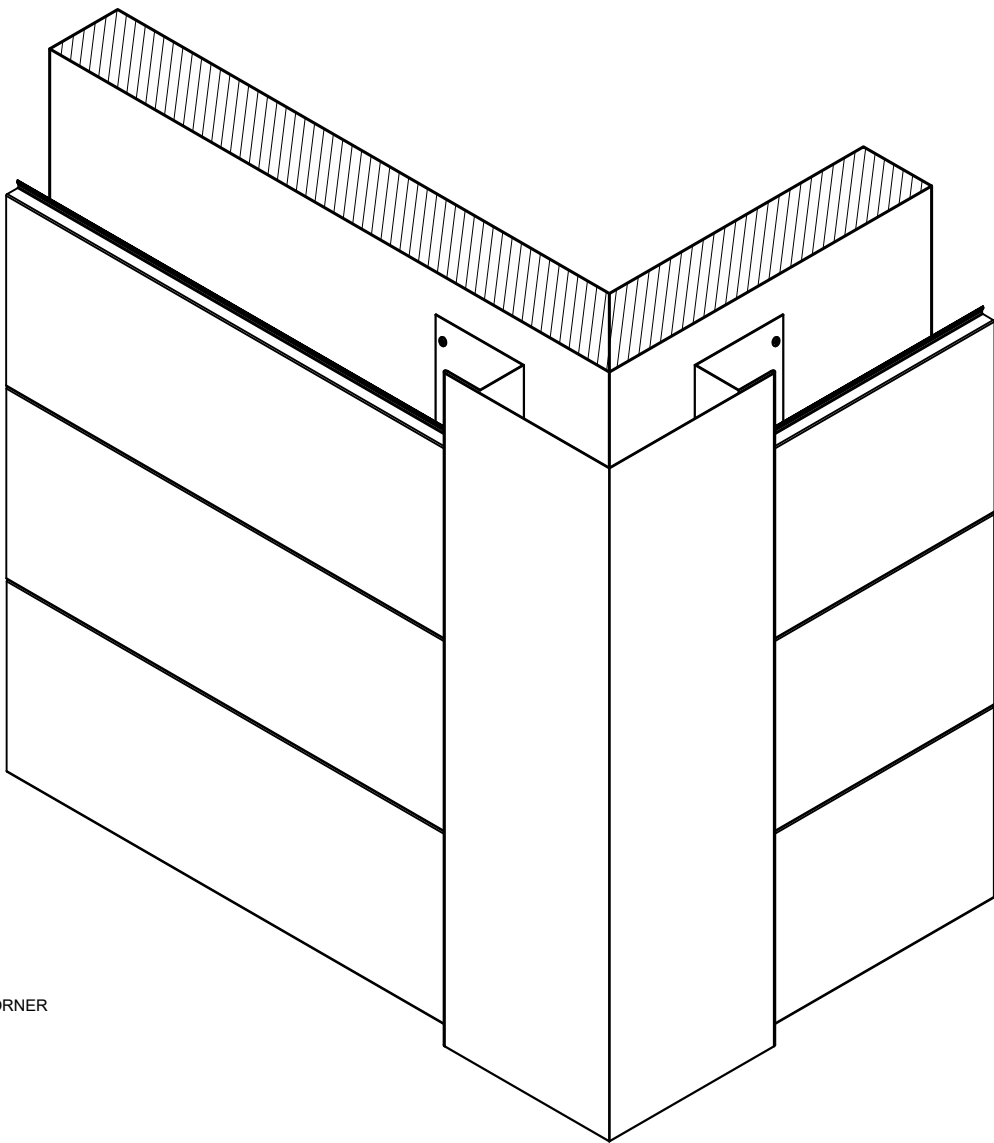
Scale: 1"= 1'-0"

Proj. No.: 1XXXXXX
 Drawn By: VOM
 Date: 03/11/2020
 Sheet No.:

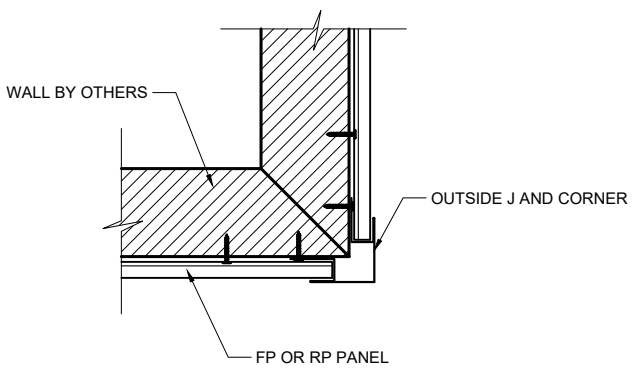
ISO-H2

2 HORIZONTAL SPLICE
 A-201 Scale: 1"=1'-0"

Ref: TYP.



SECTION VIEW FROM ABOVE



3.1 **OUTSIDE J AND CORNER DETAIL**
A-201 Scale: 1"=1'-0"

Ref: TYP.

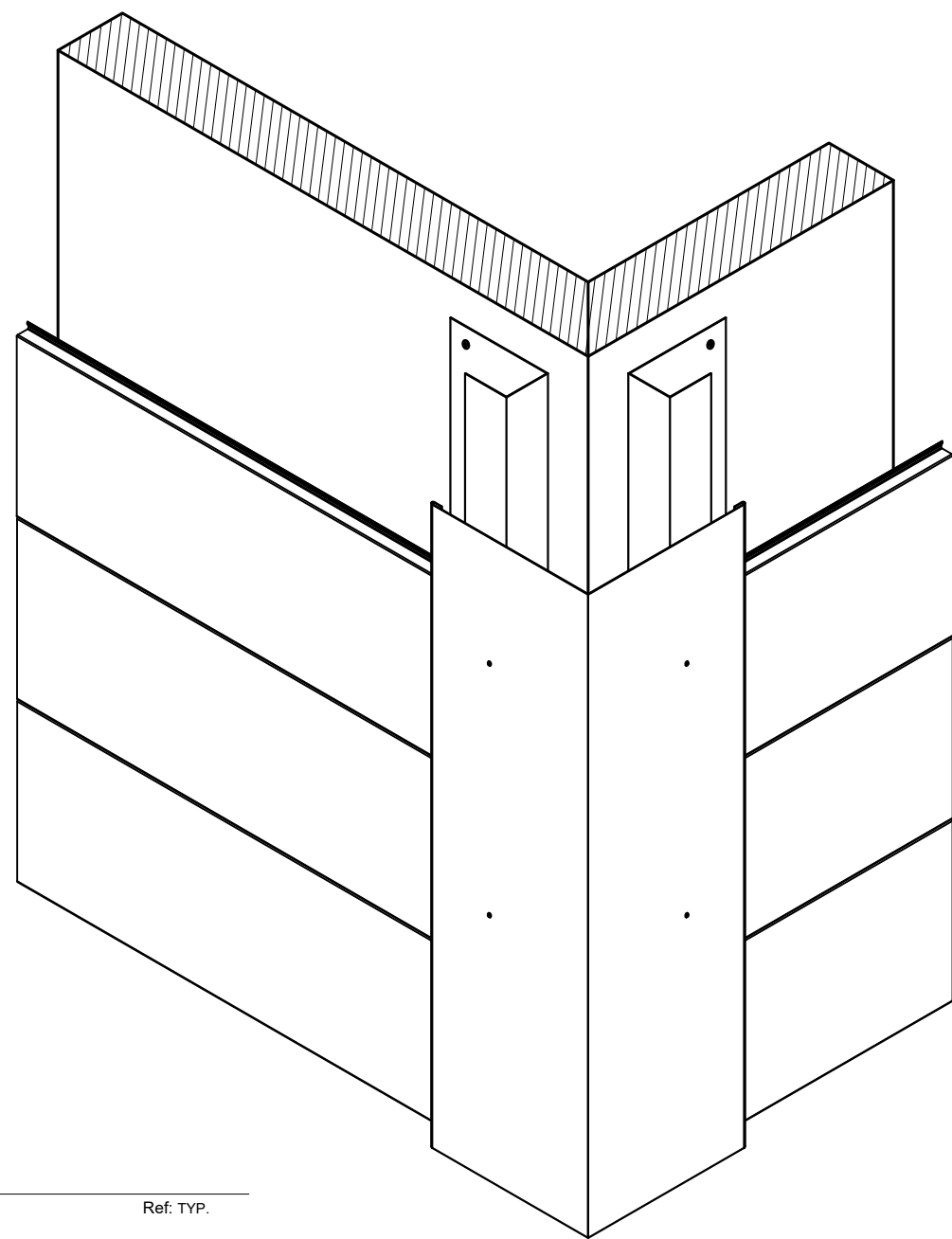
REVISIONS

No.	Date	Rev By:

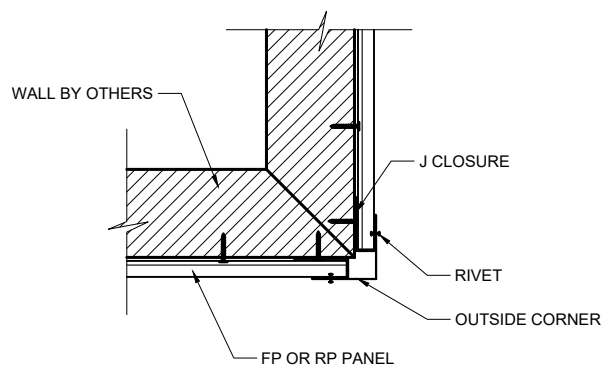
Scale: 1"= 1'-0"

Proj. No.: 1XXXXXX
 Drawn By: VOM
 Date: 03/11/2020
 Sheet No.:

ISO-H3.1



SECTION VIEW FROM ABOVE



3.2
A-201

OUTSIDE CORNER DETAIL

Scale: 1"=1'-0"

Ref: TYP.

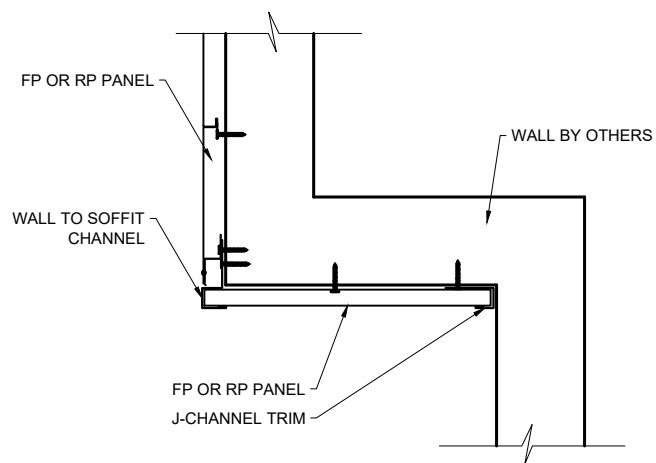
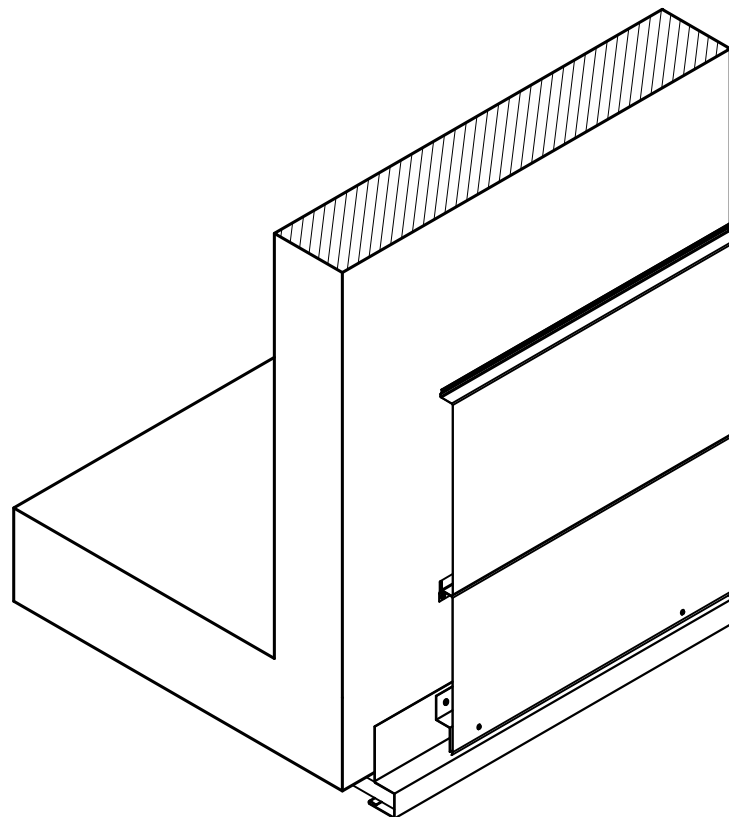
REVISIONS

No.	Date	Rev By:

Scale: 1"= 1'-0"

Proj. No.: 1XXXXXXX
 Drawn By: VOM
 Date: 03/11/2020
 Sheet No.:

ISO-H3.2



5
A-201

JAMB OPENING DETAIL

Scale: 1 1/2"-1'-0"

Ref: TYP.

REVISIONS

No.	Date	Rev By:

Scale: 1"= 1'-0"

Proj. No.: 1XXXXXX

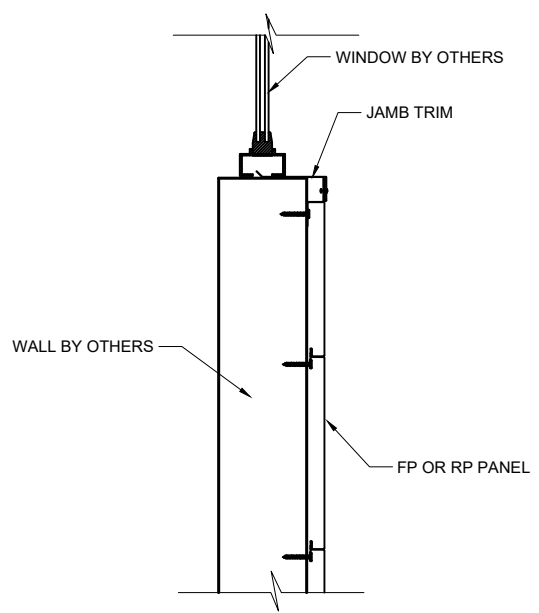
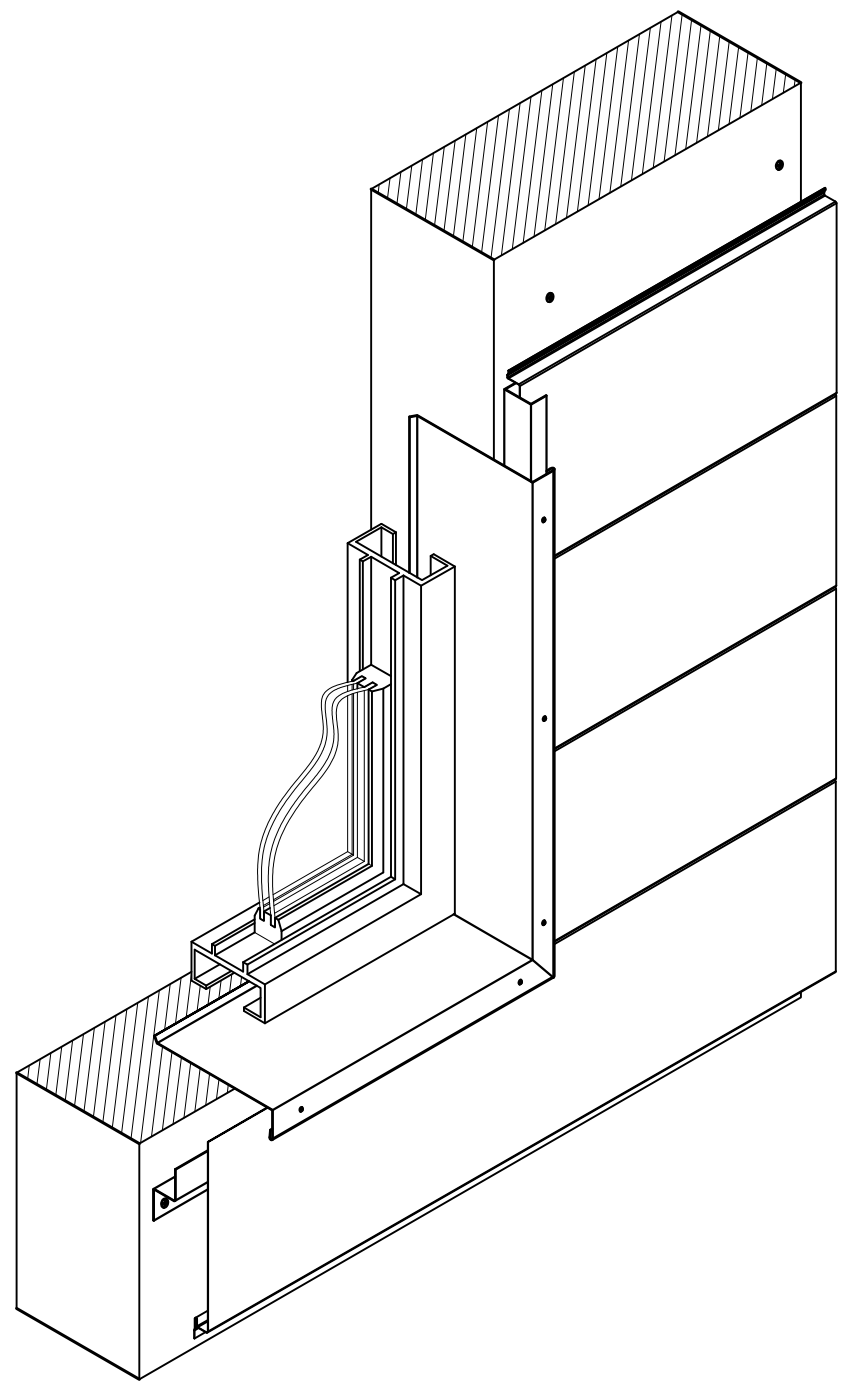
Drawn By: VOM

Date: 03/11/2020

Sheet No.:

ISO-H5

FP & RP PANEL DETAILS
10 Enterprise Court, Lebanon, PA



6
A-201

JAMB OPENING DETAIL

Scale: 1"=1'-0"

Ref: TYP.

REVISIONS

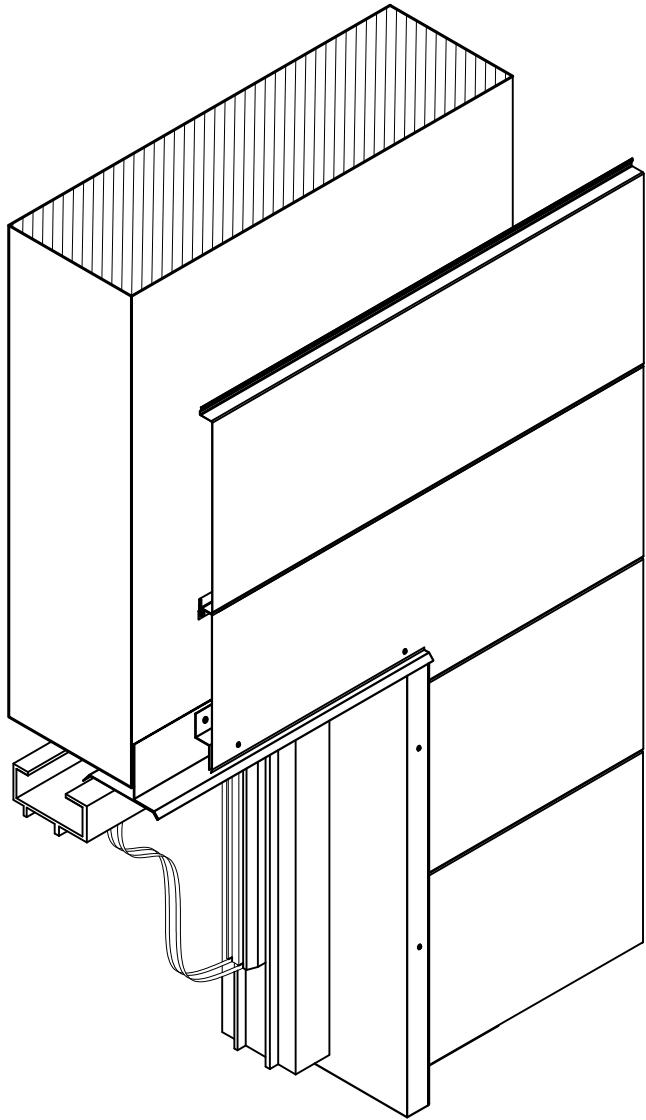
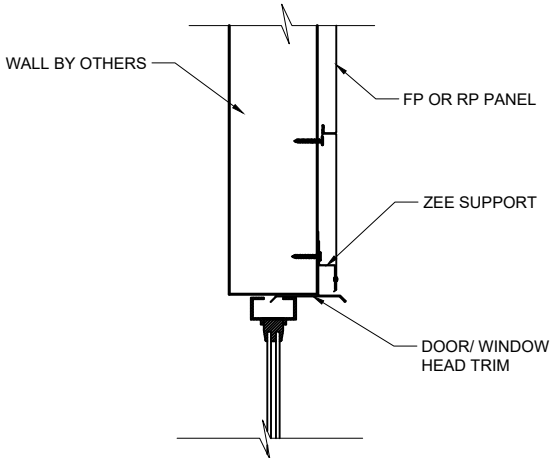
No.	Date	Rev By:

Scale: 1"= 1'-0"

Proj. No.: 1XXXXXXX
 Drawn By: VOM
 Date: 03/11/2020
 Sheet No.:

ISO-H6

FP & RP PANEL DETAILS
10 Enterprise Court, Lebanon, PA



7
A-201

OPENING HEADER DETAIL

Scale: 1"=1'-0"

Ref: TYP.

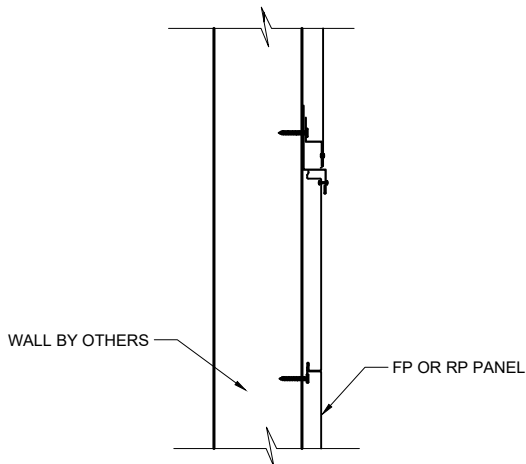
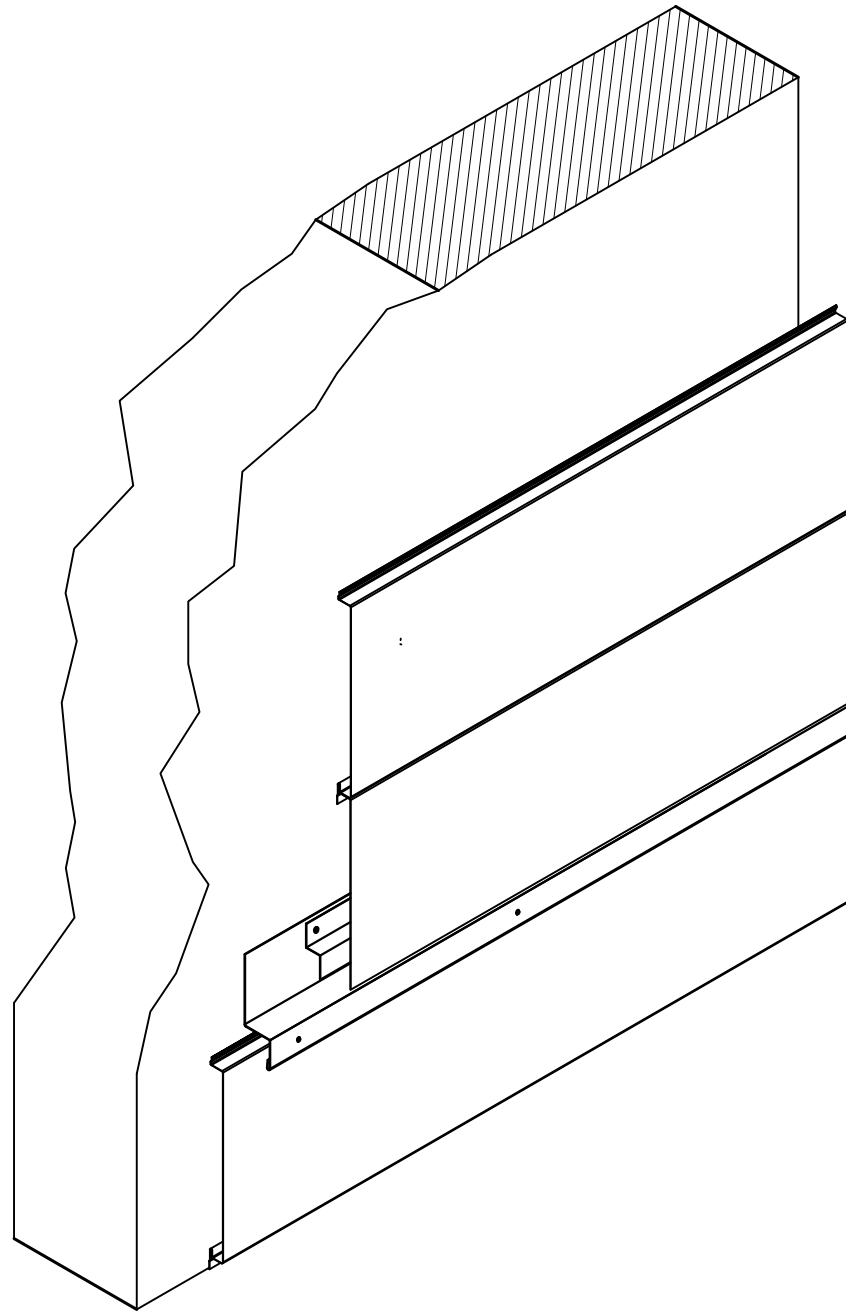
REVISIONS

No.	Date	Rev By:

Scale: 1"= 1'-0"

Proj. No.: 1XXXXXXX
 Drawn By: VOM
 Date: 03/11/2020
 Sheet No.:

ISO-H7



8 VERTICAL WALL SPLICE DETAIL
A-201 Scale: 1"=1'-0"

Ref: TYP.

REVISIONS

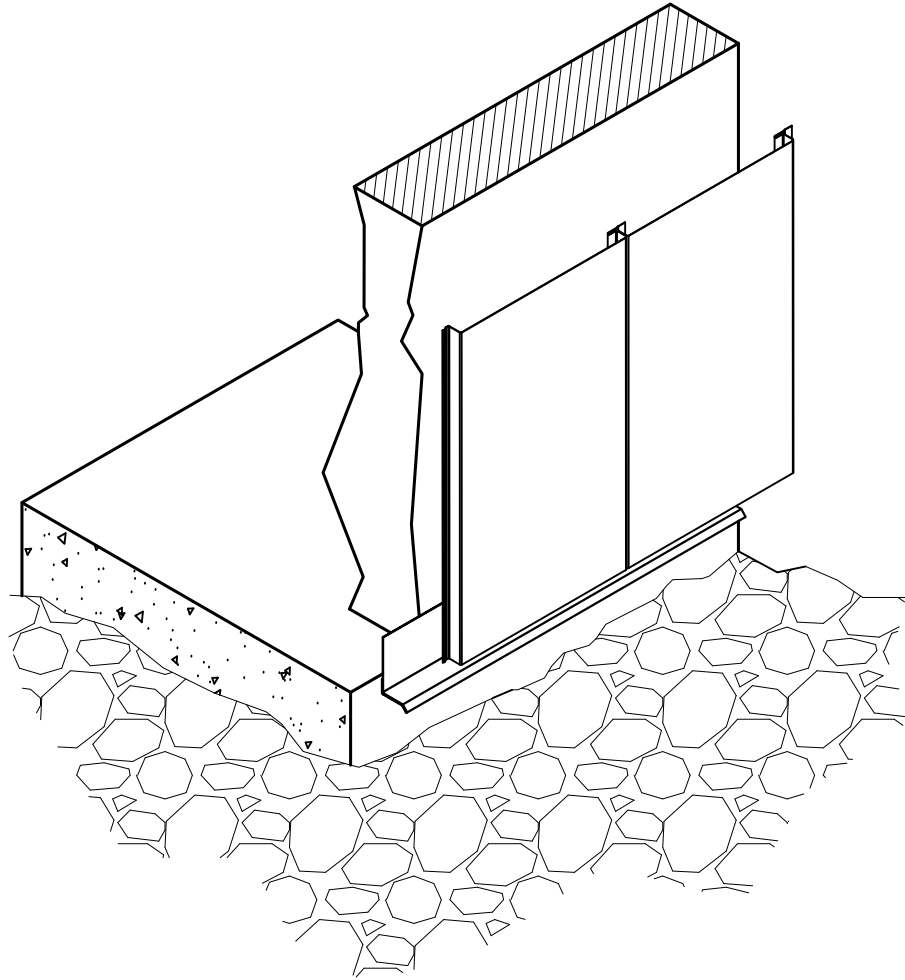
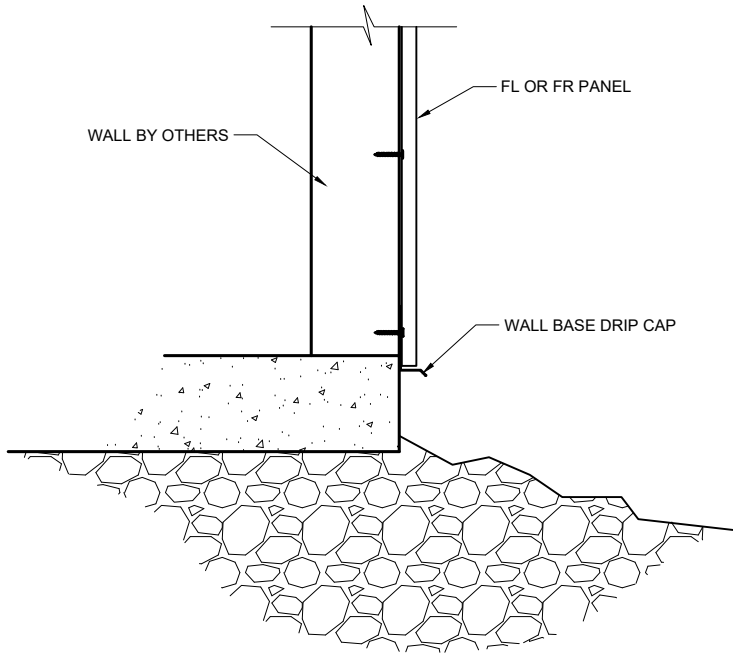
No.	Date	Rev By:

Scale: 1"= 1'-0"

Proj. No.: 1XXXXXXX
Drawn By: VOM
Date: 03/11/2020
Sheet No.:

ISO-H8

FP & RP PANEL DETAILS
10 Enterprise Court, Lebanon, PA



1 WALL BASE DETAIL
A-201 Scale: 1"=1'-0"

Ref: TYP.

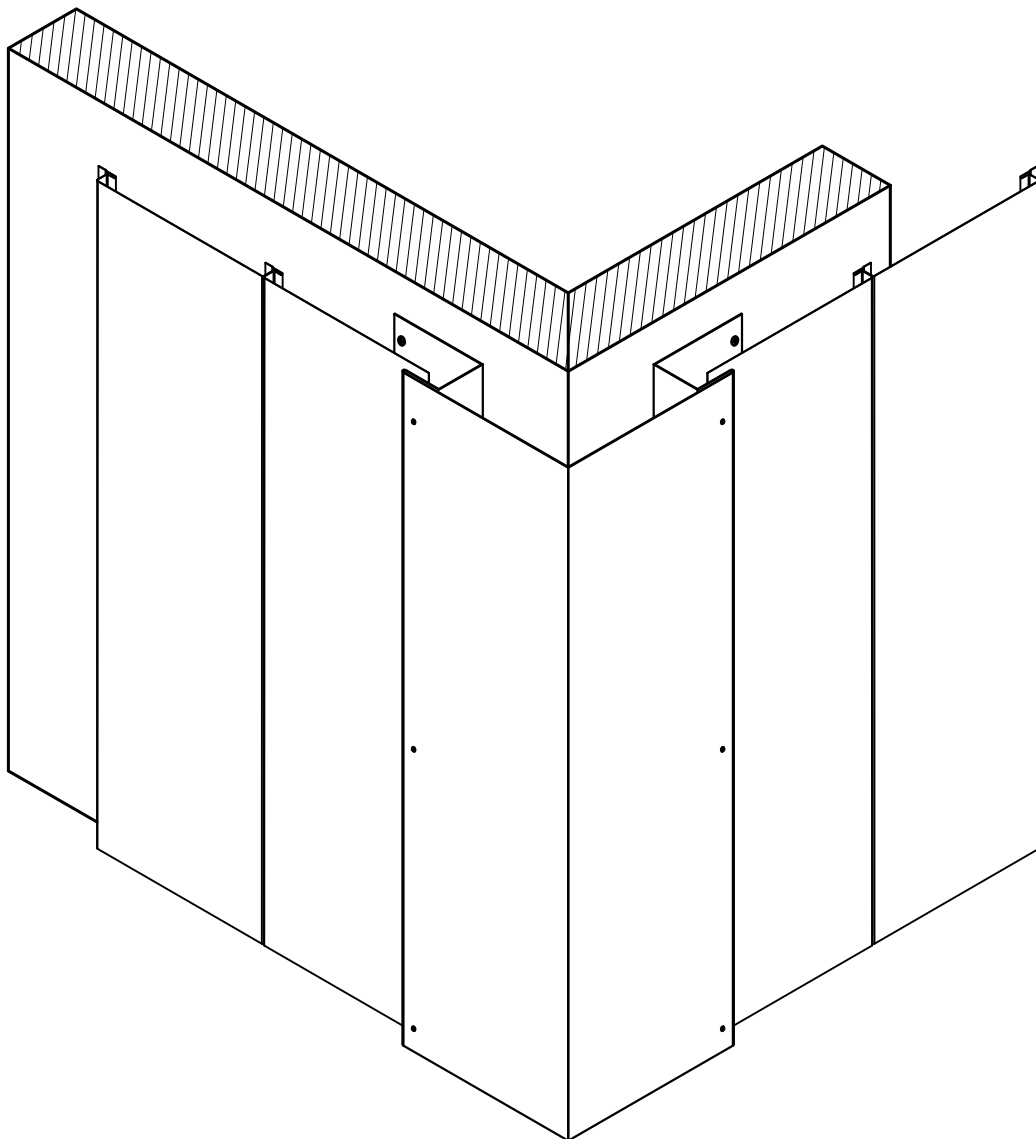
REVISIONS

No.	Date	Rev By:

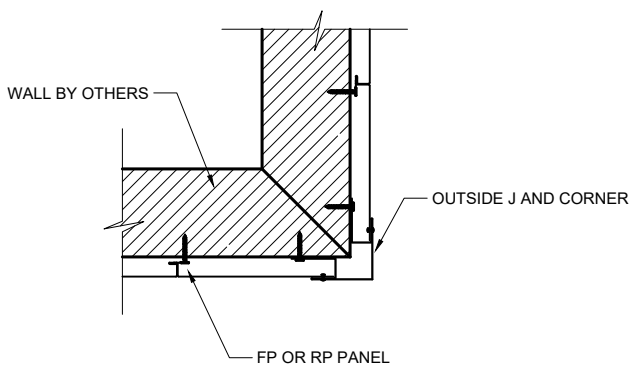
Scale: 1"= 1'-0"

Proj. No.: 1XXXXXX
 Drawn By: VOM
 Date: 03/11/2020
 Sheet No.:

ISO-V1



SECTION VIEW FROM ABOVE



REVISIONS

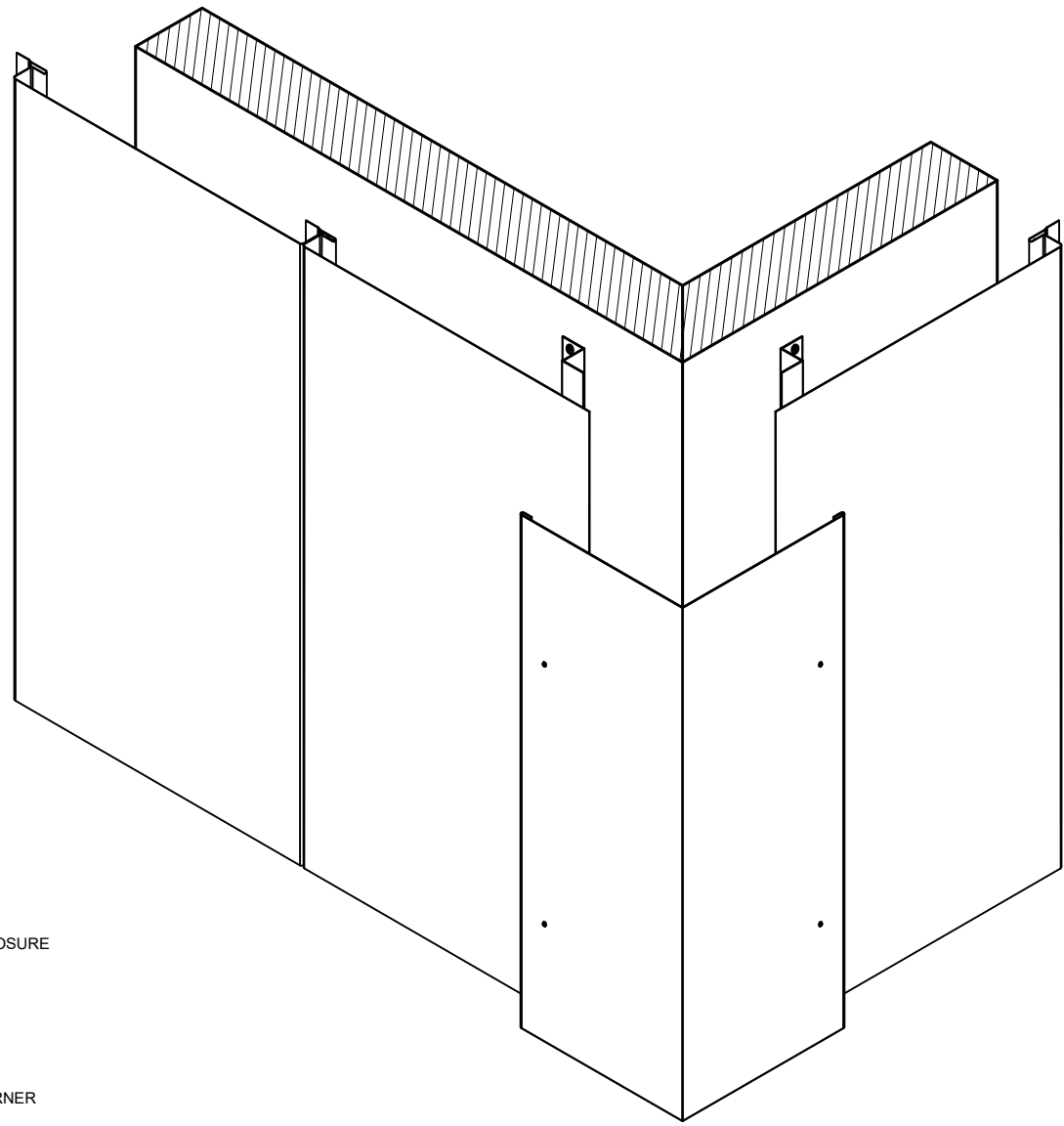
No.	Date	Rev By:

Scale: 1"= 1'-0"

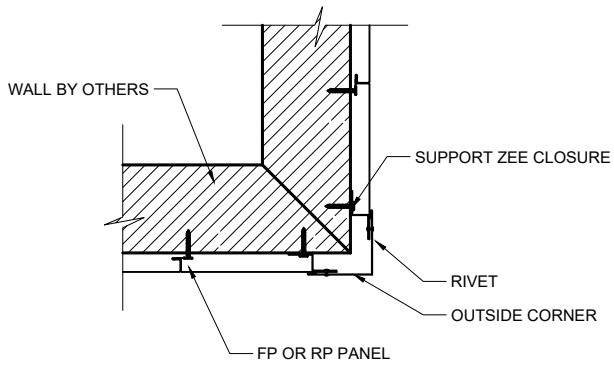
Proj. No.: 1XXXXXX
 Drawn By: VOM
 Date: 03/11/2020
 Sheet No.:

ISO-V2.1

2.1 **OUTSIDE J AND CORNER DETAIL**
 A-201 Scale: 1"=1'-0" Ref: TYP.



SECTION VIEW FROM ABOVE



2.2 OUTSIDE CORNER DETAIL
A-201 Scale: 1"=1'-0"

Ref: TYP.

REVISIONS

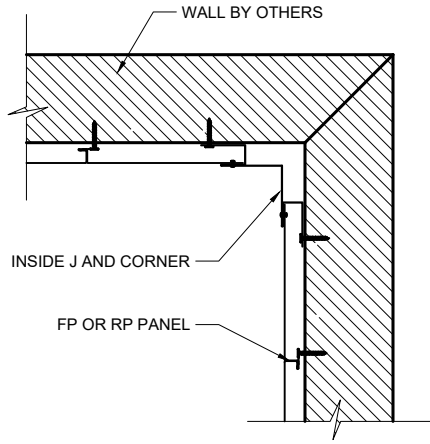
No.	Date	Rev By:

Scale: 1"= 1'-0"

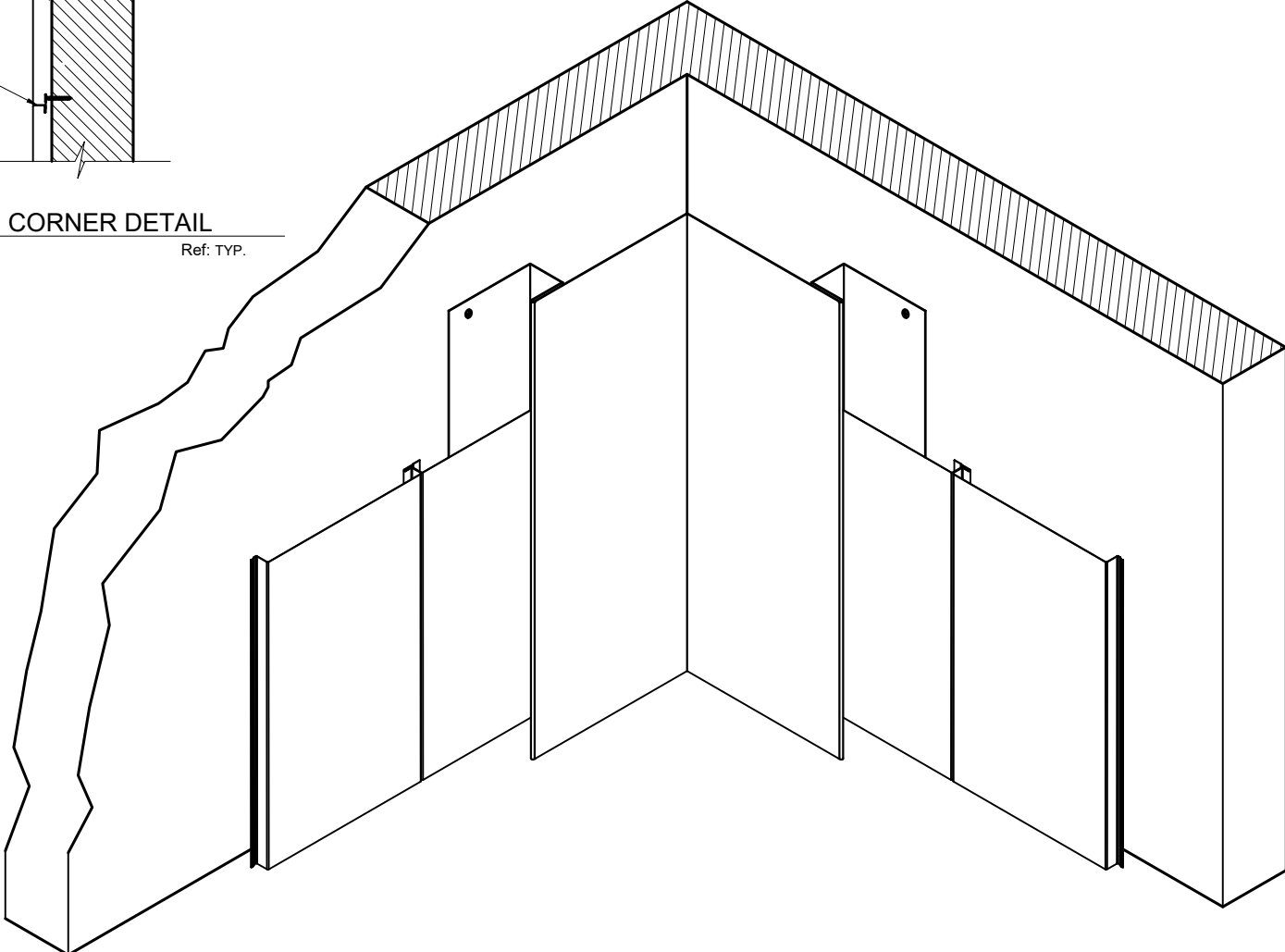
Proj. No.: 1XXXXXXX
Drawn By: VOM
Date: 03/11/2020
Sheet No.:

ISO-V2.2

SECTION VIEW FROM ABOVE



3.1 INSIDE J AND CORNER DETAIL
A-201 Scale: 1"=1'-0" Ref: TYP.



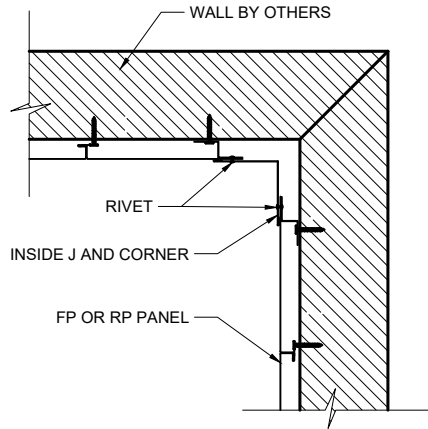
REVISIONS		
No.	Date	Rev By:

Scale: 1"= 1'-0"

Proj. No.: 1XXXXXXX
 Drawn By: VOM
 Date: 03/11/2020
 Sheet No.: ISO-V3.1

FP & RP PANEL DETAILS
 10 Enterprise Court, Lebanon, PA

SECTION VIEW FROM ABOVE

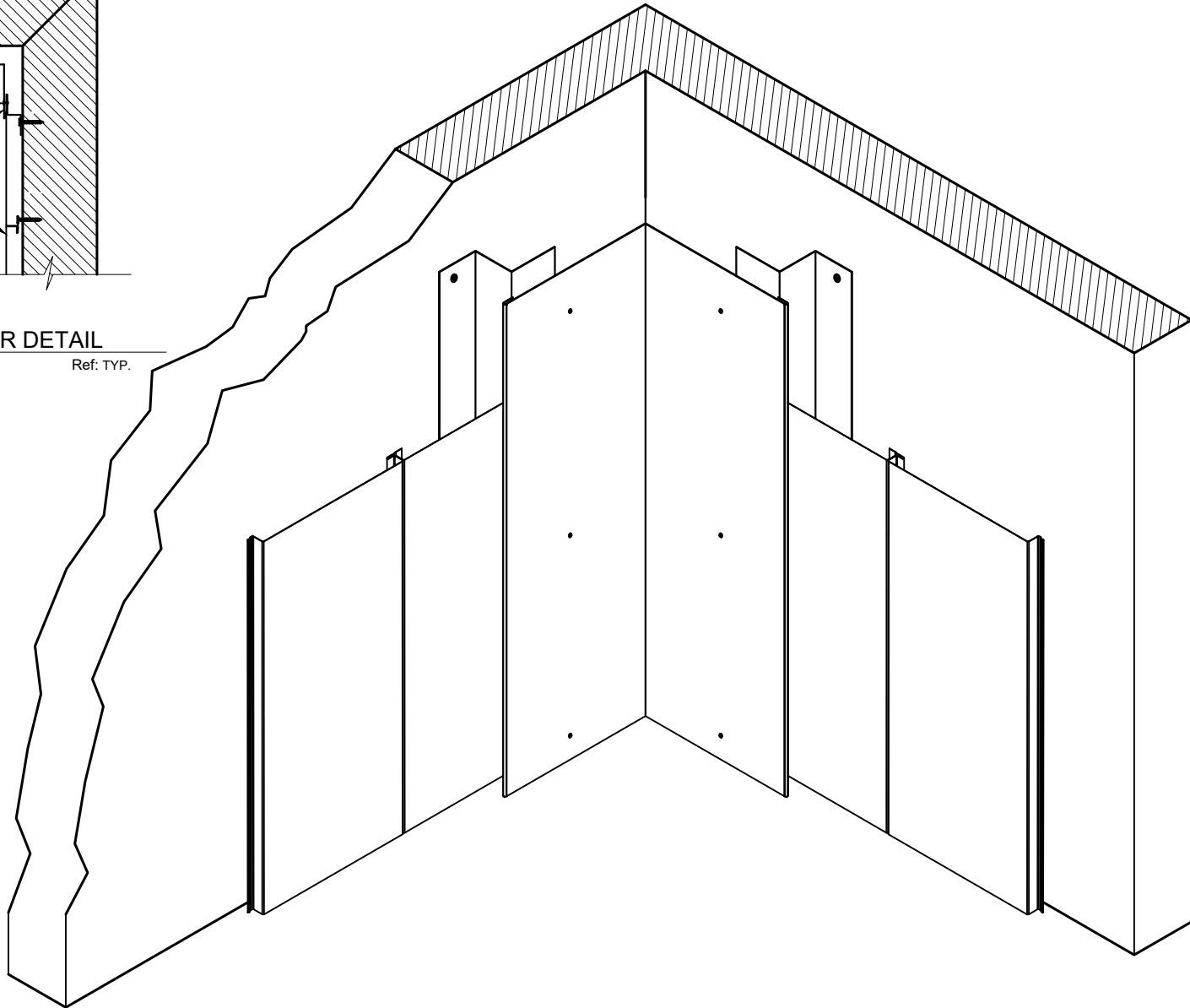


3.2 INSIDE CORNER DETAIL

A-201

Scale: 1"=1'-0"

Ref: TYP.



REVISIONS

No.	Date	Rev By:

Scale: 1"= 1'-0"

Proj. No.: 1XXXXXXX
 Drawn By: VOM
 Date: 03/11/2020
 Sheet No.:

ISO-V3.2

FP & RP PANEL DETAILS
10 Enterprise Court, Lebanon, PA

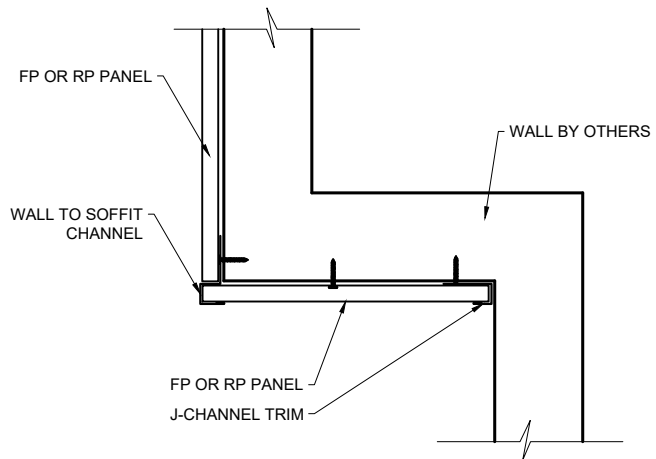
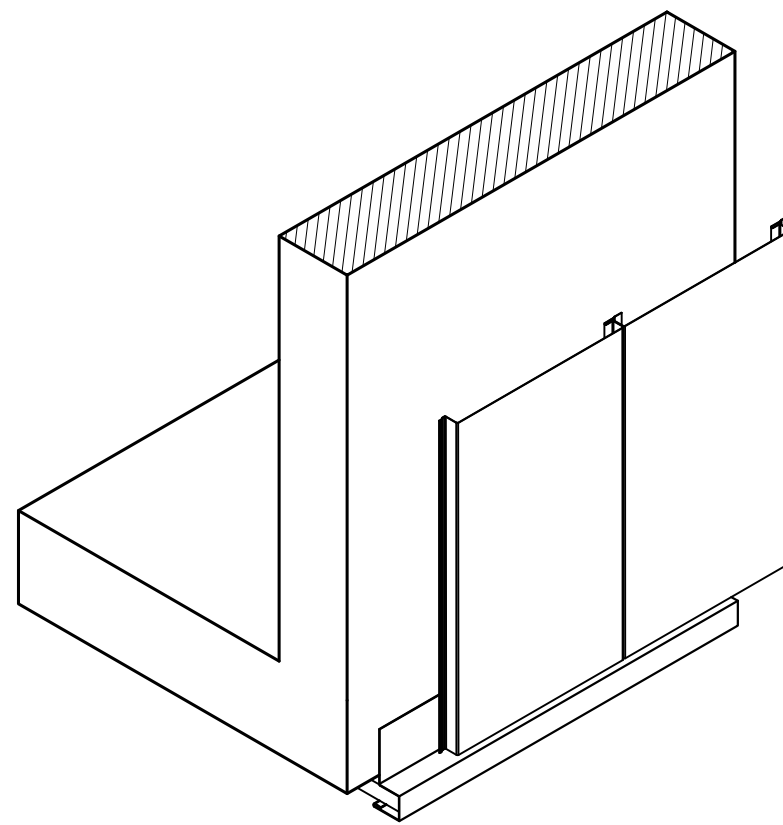
REVISIONS

No.	Date	Rev By:

Scale: 1"= 1'-0"

Proj. No.: 1XXXXXX
 Drawn By: VOM
 Date: 03/11/2020
 Sheet No.:

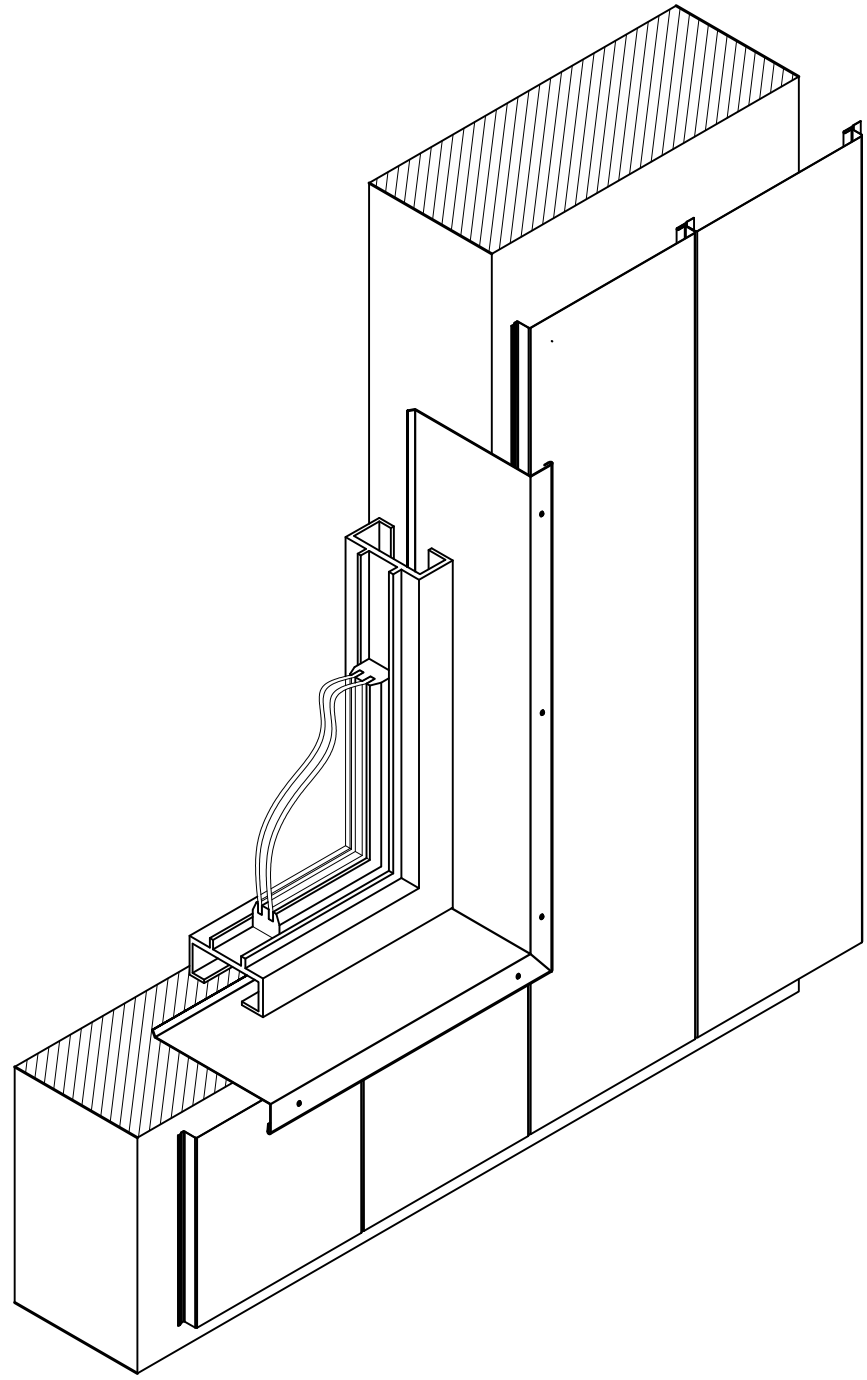
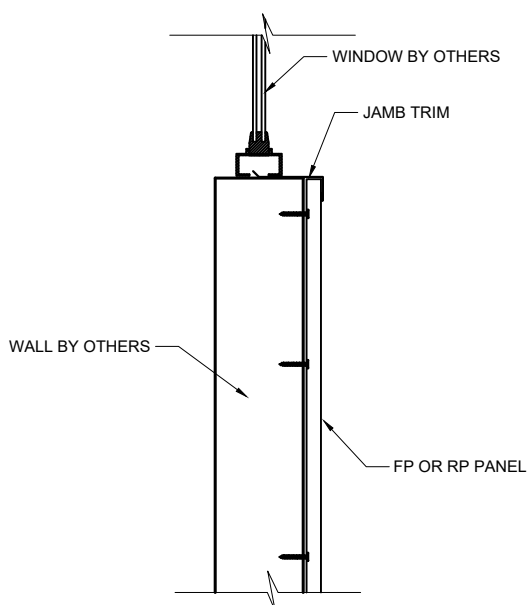
ISO-V4



4 **JAMB OPENING DETAIL**
 A-201 Scale: 1 1/2"-1'-0"

Ref: TYP.

FP & RP PANEL DETAILS
10 Enterprise Court, Lebanon, PA



REVISIONS

No.	Date	Rev By:

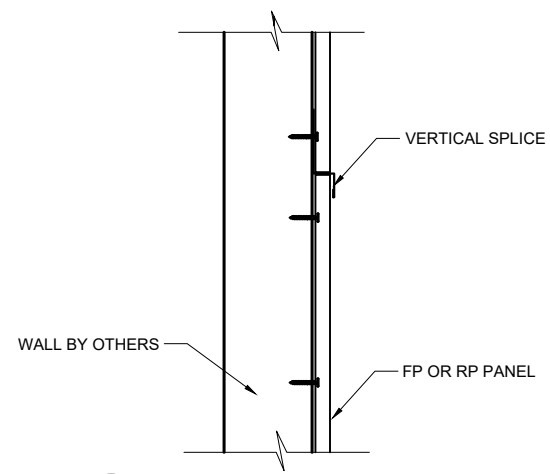
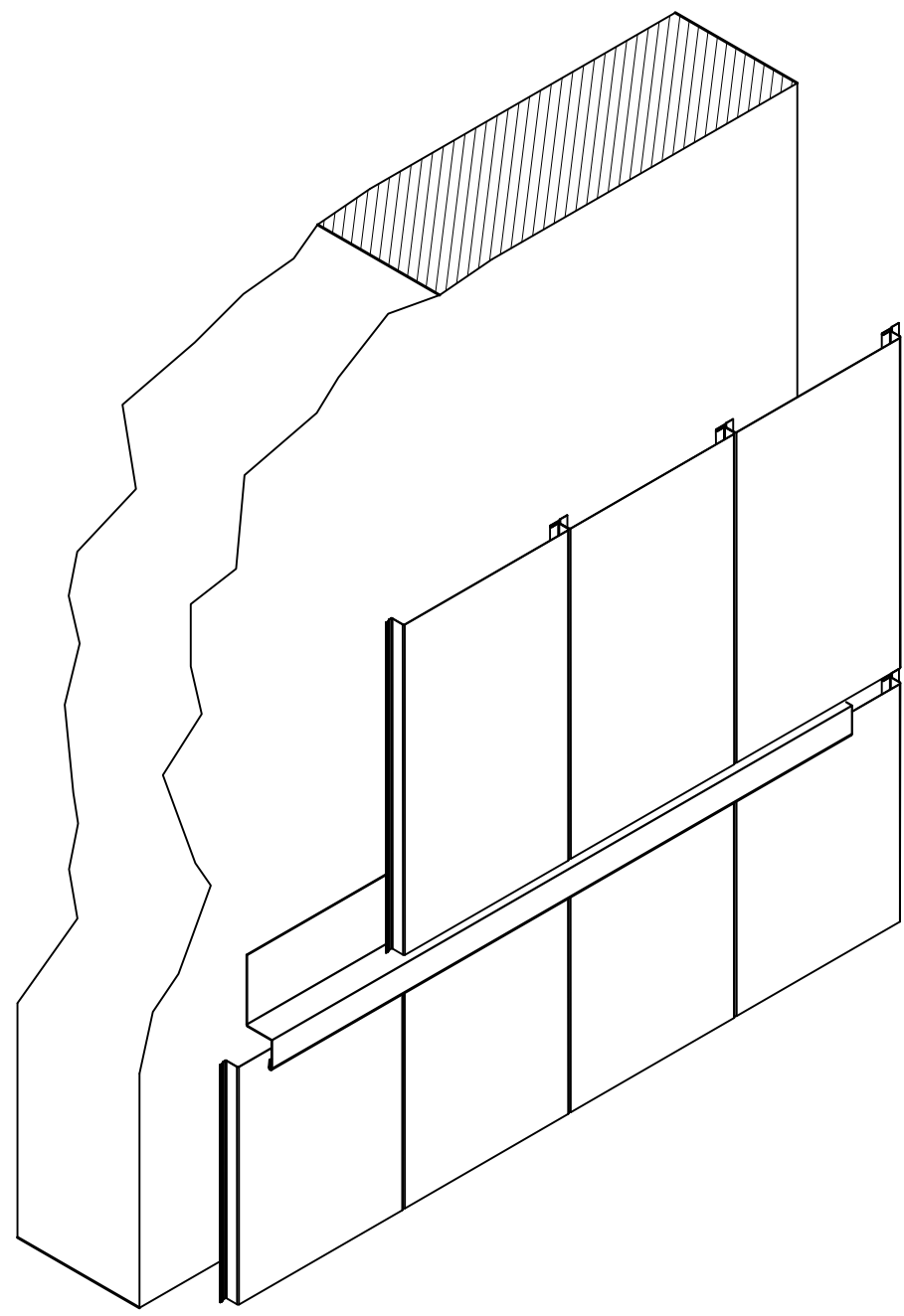
Scale: 1"= 1'-0"

Proj. No.: 1XXXXXX
 Drawn By: VOM
 Date: 03/11/2020
 Sheet No.:

ISO-V5

5 JAMB OPENNING DETAIL
 A-201 Scale: 1"=1'-0" Ref: TYP.

FP & RP PANEL DETAILS
10 Enterprise Court, Lebanon, PA



7 VERTICAL WALL SPLICE DETAIL
A-201 Scale: 1 1/2"-1'-0"

Ref: TYP.

REVISIONS

No.	Date	Rev By:

Scale: 1"= 1'-0"

Proj. No.: 1XXXXXX
Drawn By: VOM
Date: 03/11/2020
Sheet No.:

ISO-V7