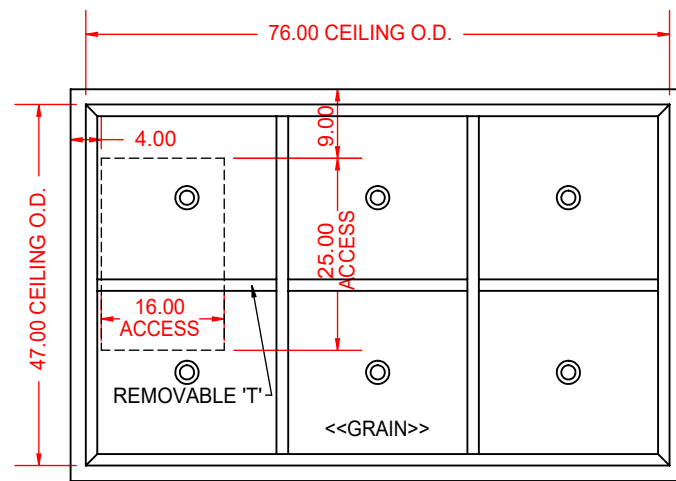
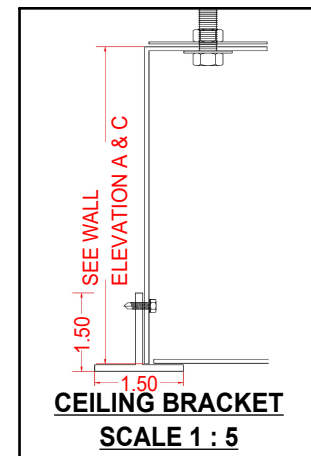


PLAN VIEW

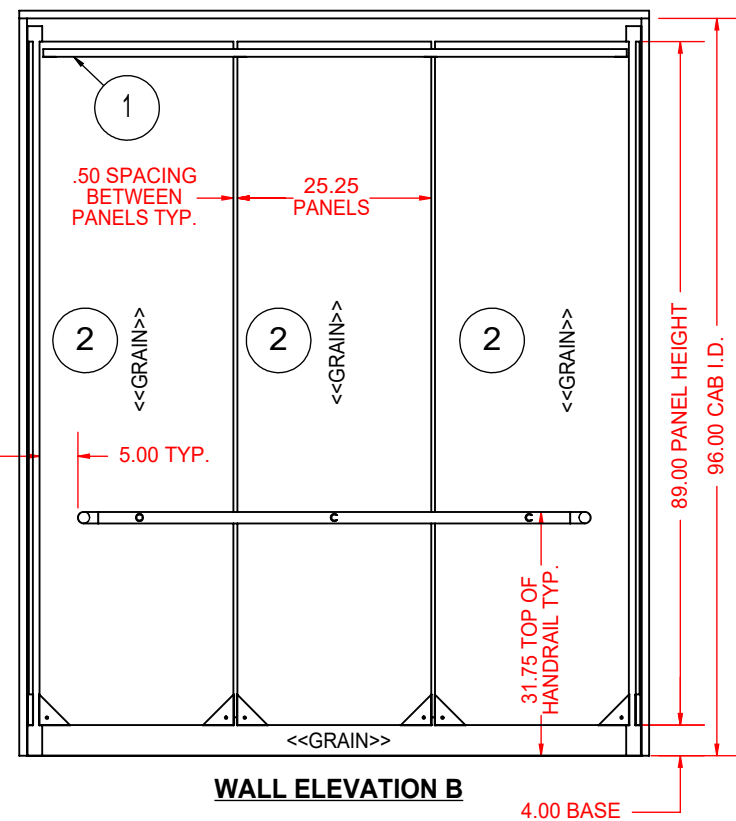


CEILING VIEW

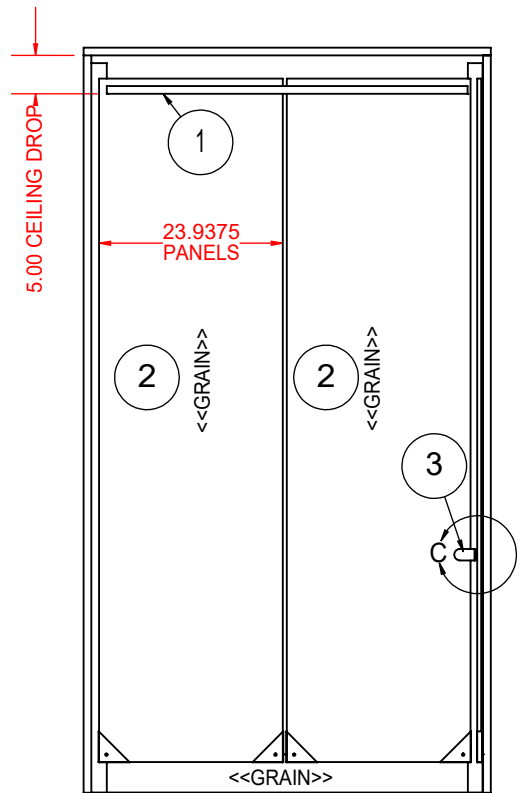


CEILING BRACKET
SCALE 1 : 5

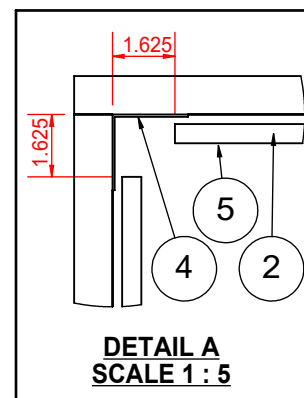
PARTS LIST & FINISH SELECTION				
ITEM	DESCRIPTION	MATERIAL	QTY	WEIGHT / lbs
1	CEILING	ANEGADA, BRUSHED ALUMINUM T-FRAME CEILING WITH CLEAR LAQUER 1.5 x 1.5 x .125" WITH 6 -STAINLESS #4 FINISH DROP-IN PANELS & 6 SOLOBEAM LED LIGHT FIXTURES	1	94.235
2	INTERIOR PANELS	ANDROS, 7 PANEL SYSTEM 1/2" FRB FACED WITH WILSONART TAN ECHO 7941K-18 LAMINATE. ALL PANELS HAVE BLACK PERIMETER PVC EDGE BANDING	1 (SET)	248.675
3	BACK HANDRAIL	1.5" ROUND #4 STAINLESS WITH PATENTED STAND OFF BRACKETS	1	15.119
4	RECESSED REVEALS	STAINLESS #4 FINISH	1 (SET)	30.991
5	ANDROS ACCENT PIECES	STAINLESS #4 FINISH	1 (SET)	10.238



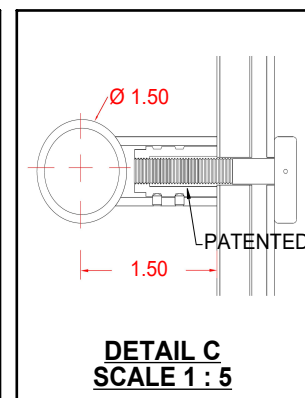
WALL ELEVATION B



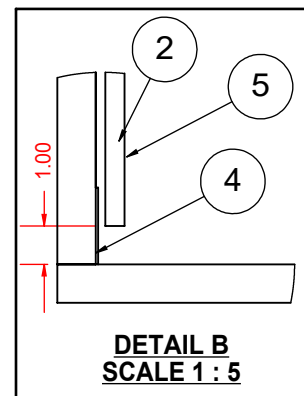
WALL ELEVATION A & C



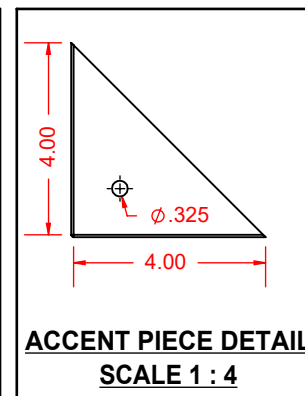
DETAIL A
SCALE 1 : 5



DETAIL C
SCALE 1 : 5



DETAIL B
SCALE 1 : 5



ACCENT PIECE DETAIL
SCALE 1 : 4



8896 West State Rd. 236
Middletown, IN 47356

T: 800.800.4960

F.A.C. JOB NUMBER: XXXXX	CAPACITY: 2500 lbs	JOB NAME: JOB NAME HERE	SPECIFIC PRODUCT NOTES ALL DIMENSIONS ARE GIVEN IN INCHES	UNIT CONVERSION 1/2 = 0.5000 1/8 = 0.1250 3/16 = 0.1875 1/4 = 0.2500 5/16 = 0.3125 3/8 = 0.3750 7/16 = 0.4375 9/16 = 0.5625 5/8 = 0.6250 11/16 = 0.6875 3/4 = 0.7500 13/16 = 0.8125 7/8 = 0.8750 15/16 = 0.9375
CAB I.D.: CAB XX		CONTACT: YOUR NAME HERE!		
WALL PANELS: ANDROS		CEILING TYPE: ANEGADA T-FRAME		
SALES REP: SALES REP NAME HERE		DATE: XX/XX/20XX		
		DRAWING SCALE: 1 : 25		
REVISIONS:		FABRICATION APPROVAL SIGNATURE:		