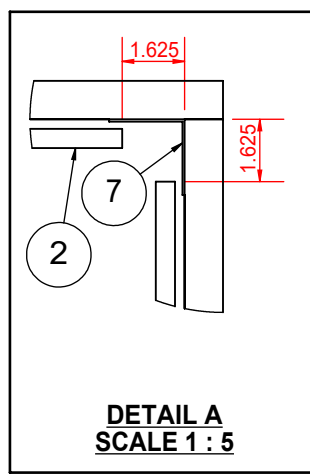
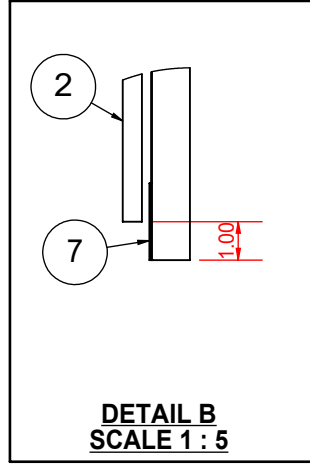


PLAN VIEW

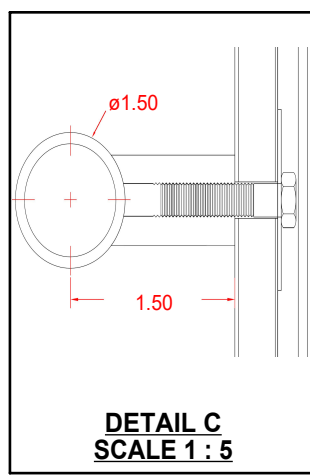
CEILING VIEW



**DETAIL A
SCALE 1 : 5**

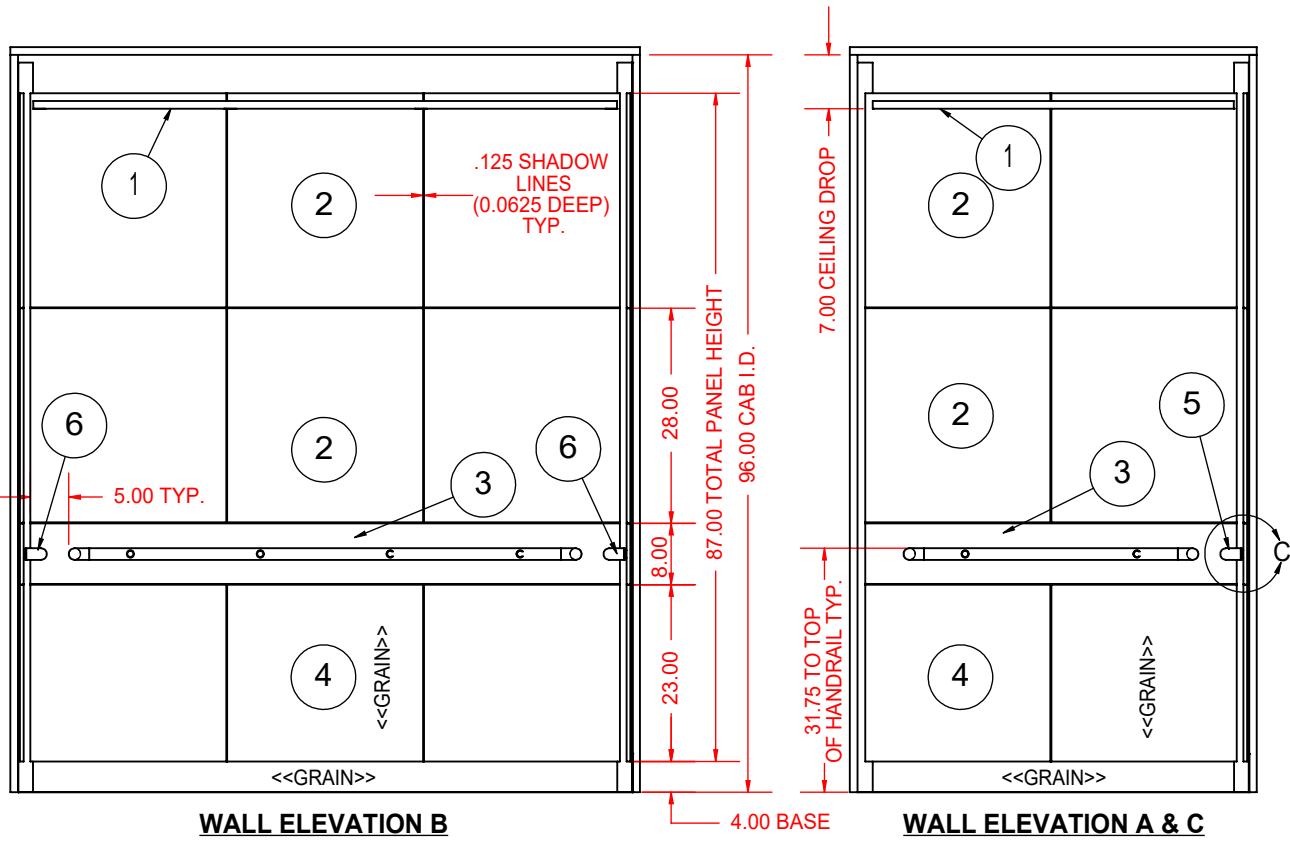


**DETAIL B
SCALE 1 : 5**



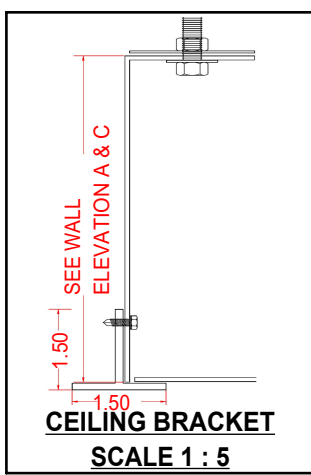
**DETAIL C
SCALE 1 : 5**

PARTS LIST & FINISH SELECTION				
ITEM	DESCRIPTION	MATERIAL	QTY	WEIGHT / lbs
1	CEILING	ANEGADA, BRUSHED ALUMINUM T-FRAME CEILING WITH CLEAR LAQUER 1.5 x 1.5 x .125" WITH 6 -STAINLESS #4 FINISH DROP-IN PANELS & 6 SOLOBEAM LED LIGHT FIXTURES	1	94.235
2	UPPER PANELS	BRIDGETOWN HORIZONTAL PANELS 2 AT EACH WALL OF 1/2" FRB FACED WITH WILSONART D90-60 LAMINATE WITH BLACK PVC EDGE-BANDING	1 (SET)	167.717
3	RAIL PANELS	1/2" FRB FACED WITH #4 STAINLESS SATIN FINISH AND BLACK PVC EDGE BANDING	3	42.565
4	BOTTOM PANELS	1/2" FRB FACED WITH WILSONART ASIAN NIGHT 7949K-18 LAMINATE AND BLACK PVC EDGE BANDING	3	66.5083
5	BACK HANDRAIL	1.5" ROUND STAINLESS #4 FINISH WITH STANDARD STAND OFF BRACKETS	1	15.1189
6	SIDE HANDRAIL	1.5" ROUND STAINLESS #4 FINISH WITH STANDARD STAND OFF BRACKETS ONE AT EACH SIDE WALL	2	17.3839
7	RECESSED REVEALS	STAINLESS #4 FINISH	1 (SET)	23.011



WALL ELEVATION B

WALL ELEVATION A & C



**CEILING BRACKET
SCALE 1 : 5**



8896 West State Rd. 236 Middletown, IN 47356
T: 800.800.4960

F.A.C. JOB NUMBER: XXXXX	CAPACITY: 2500 lbs	JOB NAME: JOB NAME HERE
CAB I.D.: CAB XX		CONTACT: YOUR NAME HERE!
WALL PANELS: BRIDGETOWN		CEILING TYPE: ANEGADA T-FRAME
SALES REP: SALES REP NAME HERE	DATE: XX/XX/20XX	DRAWING SCALE: 1 : 25
REVISIONS:	FABRICATION APPROVAL SIGNATURE:	

SPECIFIC PRODUCT NOTES		UNIT CONVERSION	
ALL DIMENSIONS ARE GIVEN IN INCHES		1/2 = 0.5000	9/16 = 0.5625
		1/8 = 0.1250	5/8 = 0.6250
		3/16 = 0.1875	11/16 = 0.6875
		1/4 = 0.2500	3/4 = 0.7500
		5/16 = 0.3125	13/16 = 0.8125
		3/8 = 0.3750	7/8 = 0.8750
		7/16 = 0.4375	15/16 = 0.9375