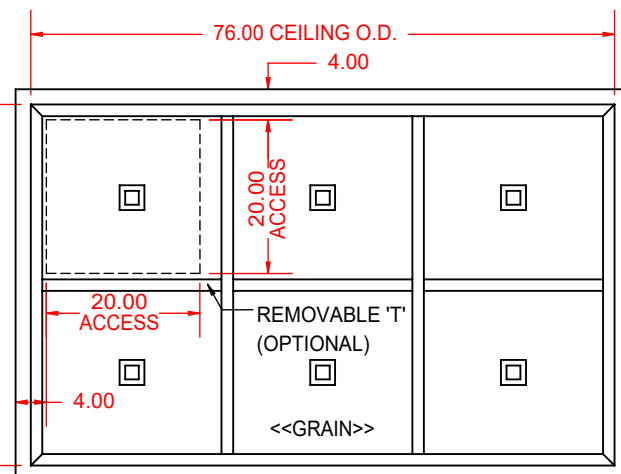
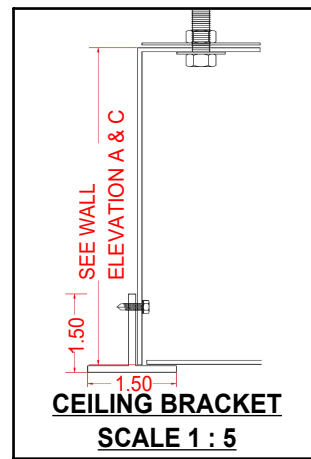


PLAN VIEW

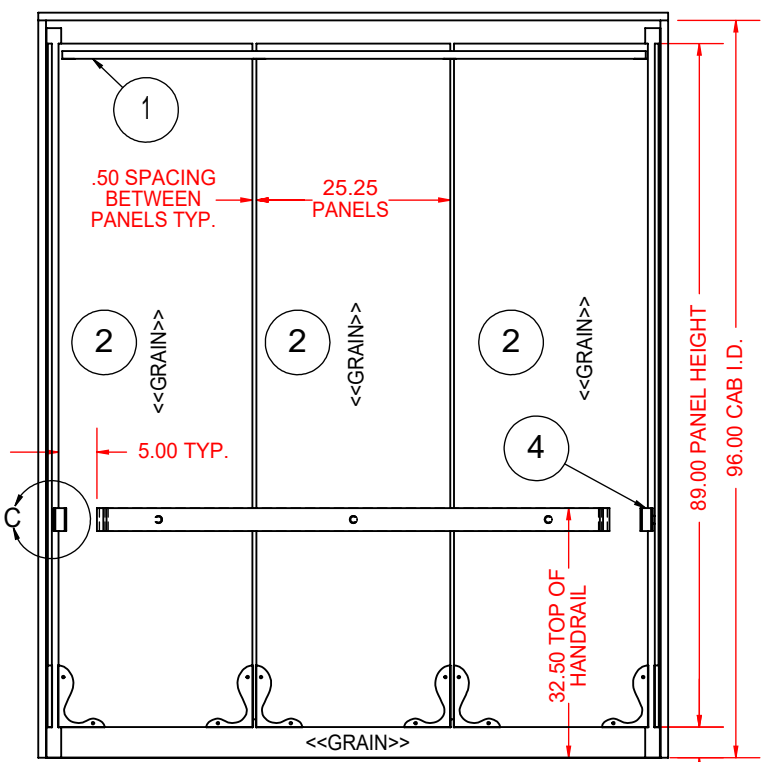


CEILING VIEW

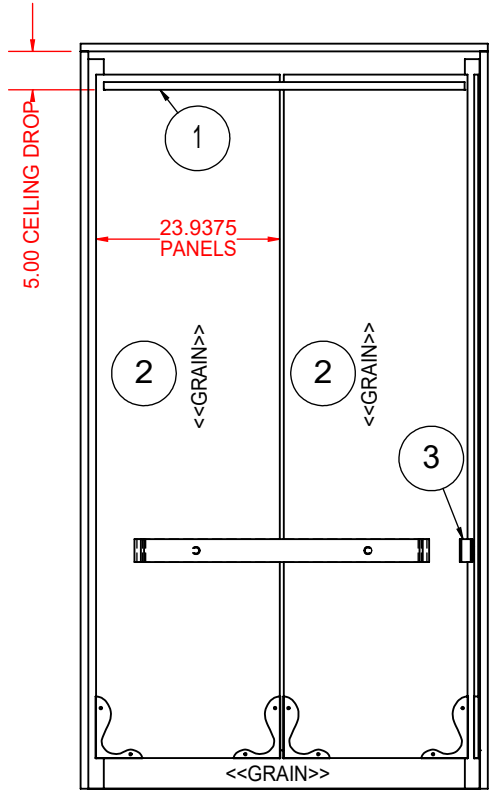


CEILING BRACKET SCALE 1:5

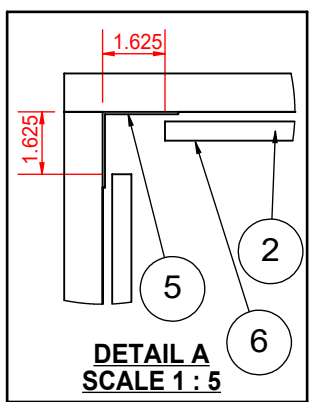
PARTS LIST & FINISH SELECTION				
ITEM	DESCRIPTION	MATERIAL	QTY	WEIGHT / lbs
1	CEILING	ANEGADA, BRUSHED ALUMINUM T-FRAME CEILING WITH CLEAR LAQUER 1.5 x 1.5 x .125" WITH 6 -STAINLESS #4 FINISH DROP-IN PANELS & 6 MAN-D-TEC S2 LED LIGHT FIXTURES	1	94.235
2	INTERIOR PANELS	COOPERSTOWN, 7 PANEL SYSTEM 1/2" FRB FACED WITH WILSONART ANTIQUE CAGNAC PINE Y0306K-12 LAMINATE. ALL PANELS HAVE BLACK PERIMETER PVC EDGE BANDING	1 (SET)	248.675
3	BACK HANDRAIL	3" FLAT #4 STAINLESS WITH PATENTED STAND OFF BRACKETS	1	21.304
4	SIDE HANDRAILS	3" FLAT #4 STAINLESS WITH PATENTED STAND OFF BRACKETS ONE AT EACH SIDE WALL	2	24.496
5	RECESSED REVEALS	STAINLESS #4 FINISH	1 (SET)	30.991
6	COOPERSTOWN ACCENT PIECE	STAINLESS #4 FINISH	1 (SET)	17.691



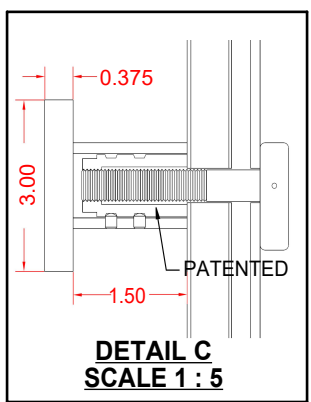
WALL ELEVATION B



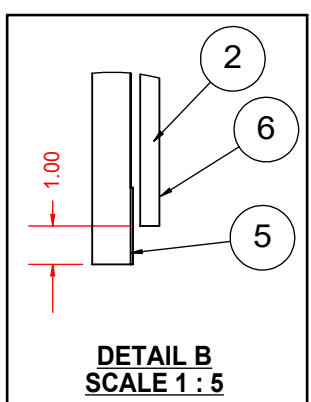
WALL ELEVATION A & C



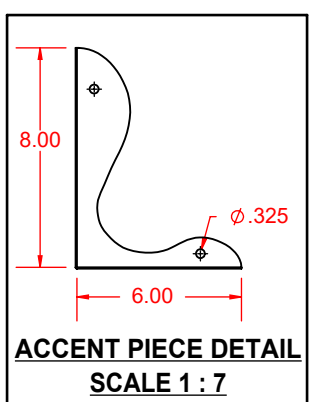
DETAIL A SCALE 1:5



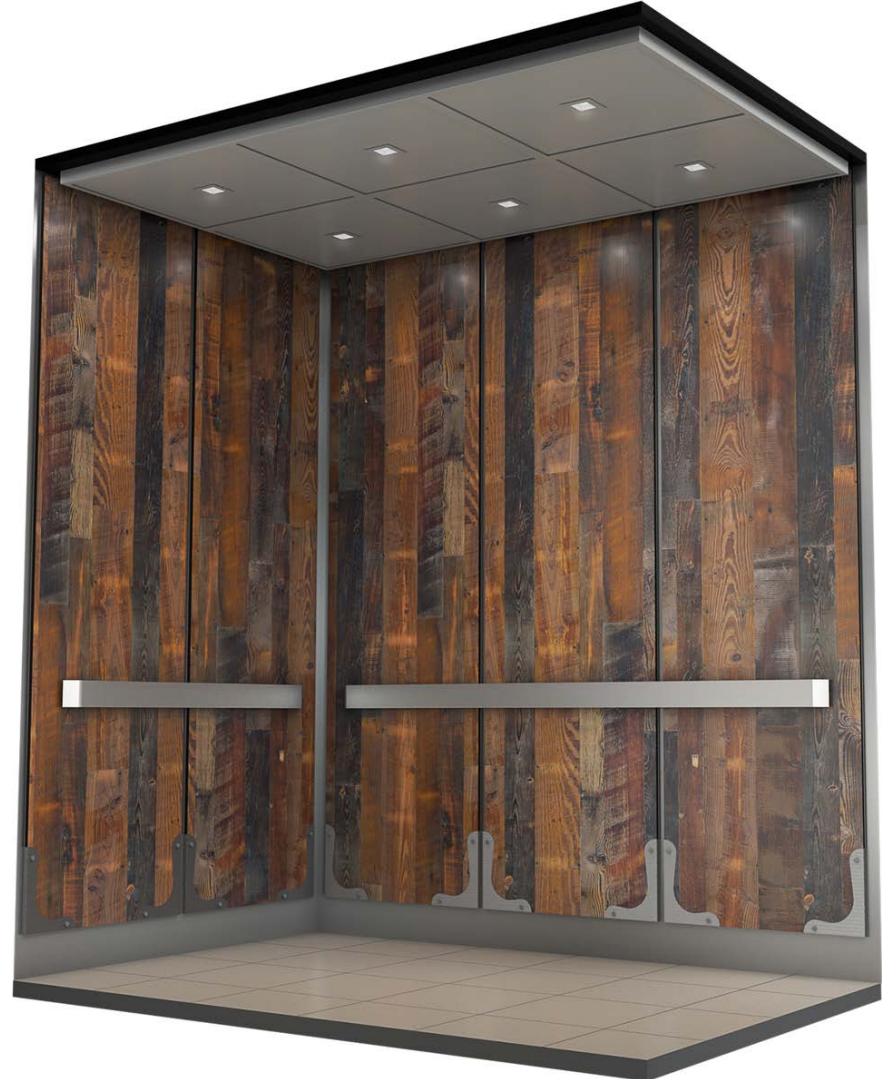
DETAIL C SCALE 1:5



DETAIL B SCALE 1:5



ACCENT PIECE DETAIL SCALE 1:7



8896 West State Rd. 236 Middletown, IN 47356 T: 800.800.4960

F.A.C. JOB NUMBER: XXXXX	CAPACITY: 2500 lbs	JOB NAME: JOB NAME HERE	<b>SPECIFIC PRODUCT NOTES</b> ALL DIMENSIONS ARE GIVEN IN INCHES	<b>UNIT CONVERSION</b> 1/2 = 0.5000 1/8 = 0.1250 3/16 = 0.1875 1/4 = 0.2500 5/16 = 0.3125 3/8 = 0.3750 7/16 = 0.4375 9/16 = 0.5625 5/8 = 0.6250 11/16 = 0.6875 3/4 = 0.7500 13/16 = 0.8125 7/8 = 0.8750 15/16 = 0.9375
CAB I.D.: CAB XX		CONTACT: YOUR NAME HERE!		
WALL PANELS: COOPERSTOWN		CEILING TYPE: ANEGADA T-FRAME		
SALES REP: SALES REP NAME HERE		DATE: XX/XX/20XX DRAWING SCALE: 1:25		
REVISIONS:	FABRICATION APPROVAL SIGNATURE:			SHEET 1 OF 1