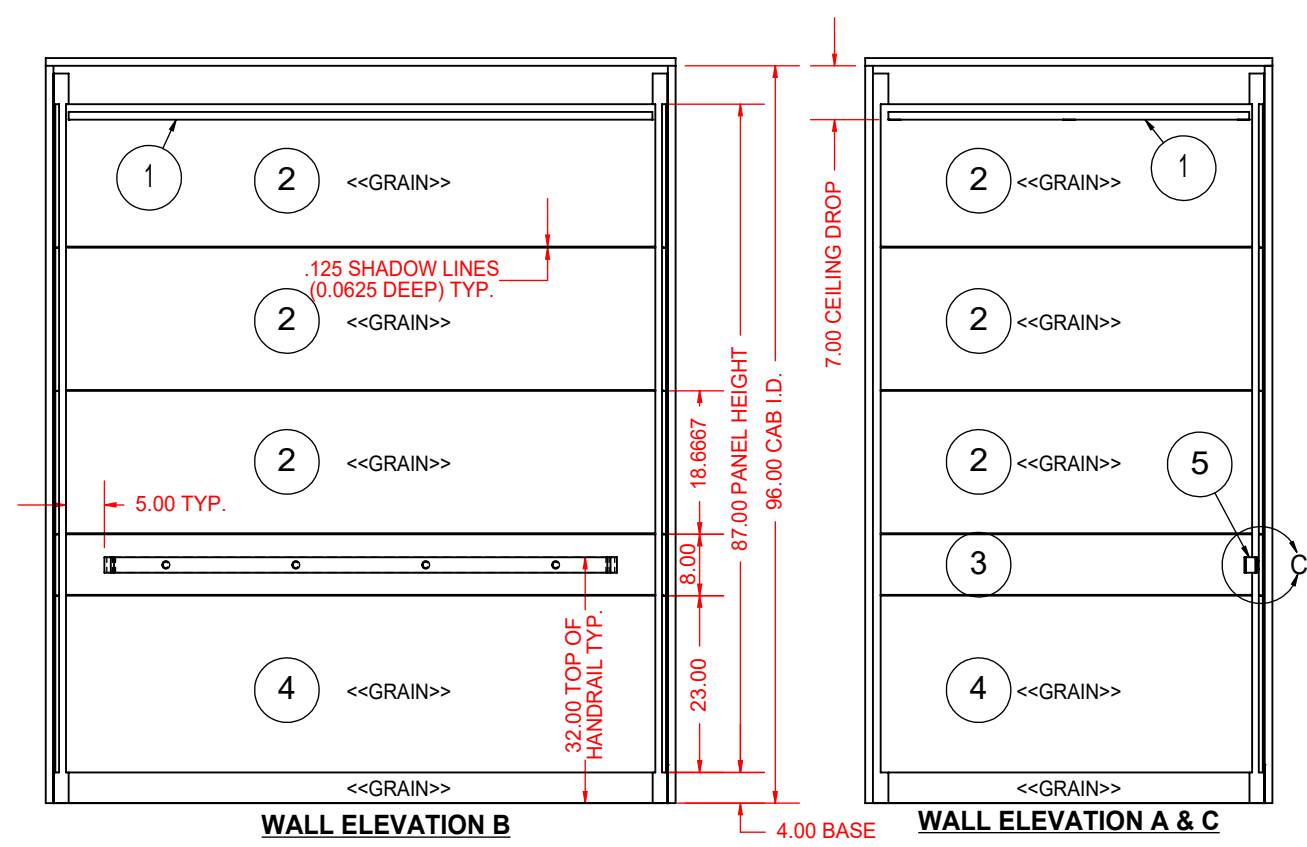


PLAN VIEW

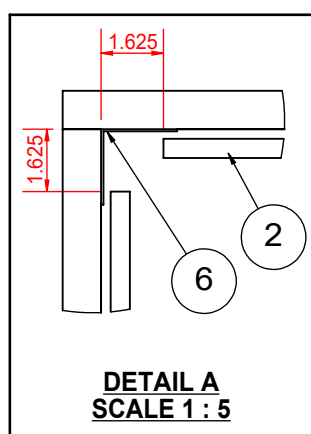
CEILING VIEW

PARTS LIST & FINISH SELECTION				
ITEM	DESCRIPTION	MATERIAL	QTY	WEIGHT / lbs
1	CEILING	ANEGADA, BRUSHED ALUMINUM T-FRAME CEILING WITH CLEAR LAQUER 1.5 x 1.5 x .125" WITH 6 -STAINLESS #4 FINISH DROP-IN PANELS & 6 SOLOBEAM LED LIGHT FIXTURES	1	94.235
2	UPPER PANELS	1/2" FRB FACED WITH WILSONART WILD CHERRY 7054-78 FINE GRAIN FINISH LAMINATE. AND BLACK PVC EDGE - BANDING.	1 (SET)	167.717
3	RAIL BACKER PANELS	1/2" FRB FACED WITH #4 STAINLESS SATIN FINISH AND BLACK PVC EDGE BANDING	3	42.565
4	BOTTOM PANEL	1/2" FRB FACED WITH RIMEX STAINLESS 5-SM PATTERN AND BLACK PVC EDGE BANDING	3	122.375
5	BACK HANDRAIL	2" FLAT #4 STAINLESS WITH STANDARD STAND OFF BRACKETS	1	14.184
6	RECESSED REVEALS	STAINLESS #4 FINISH	1 (SET)	23.011

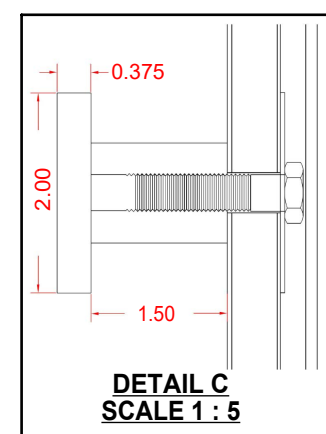


WALL ELEVATION B

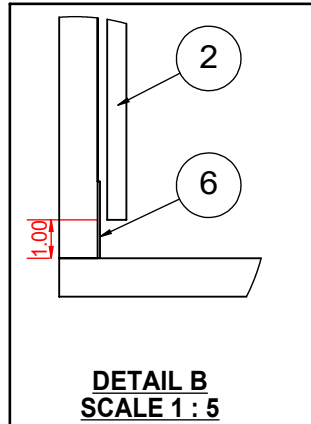
WALL ELEVATION A & C



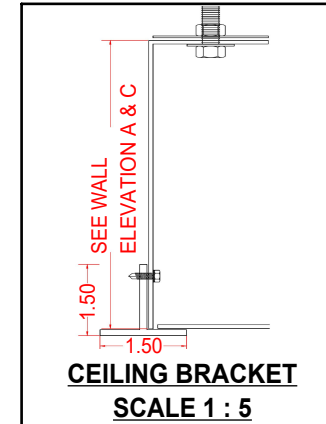
DETAIL A SCALE 1:5



DETAIL C SCALE 1:5



DETAIL B SCALE 1:5



CEILING BRACKET SCALE 1:5



8896 West State Rd. 236 Middletown, IN 47356 T: 800.800.4960

F.A.C. JOB NUMBER: XXXXX	CAPACITY: 2500 lbs	JOB NAME: JOB NAME HERE
CAB I.D.: CAB XX		CONTACT: YOUR NAME HERE!
WALL PANELS: CYPRESS		CEILING TYPE: ANEGADA T-FRAME
SALES REP: SALES REP NAME HERE	DATE: XX/XX/20XX	DRAWING SCALE: 1:25
REVISIONS:	FABRICATION APPROVAL SIGNATURE:	

SPECIFIC PRODUCT NOTES		UNIT CONVERSION	
ALL DIMENSIONS ARE GIVEN IN INCHES			
1/16 = 0.0625	9/16 = 0.5625	1/2 = 0.5000	
1/8 = 0.1250	5/8 = 0.6250		
3/16 = 0.1875	11/16 = 0.6875		
1/4 = 0.2500	3/4 = 0.7500		
5/16 = 0.3125	13/16 = 0.8125		
3/8 = 0.3750	7/8 = 0.8750		
7/16 = 0.4375	15/16 = 0.9375		