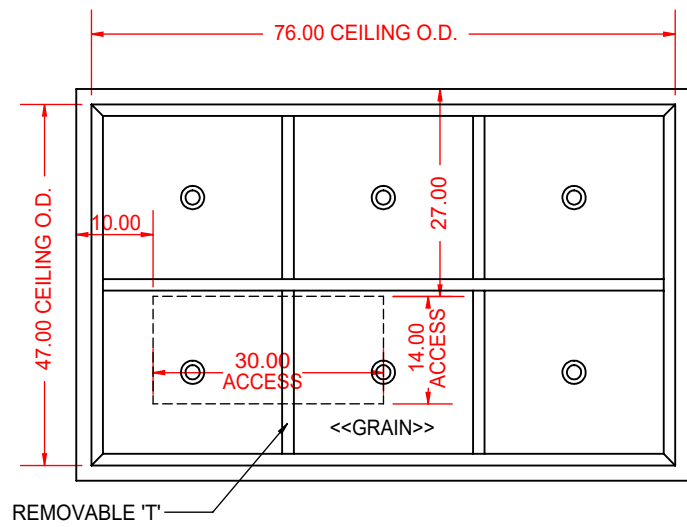
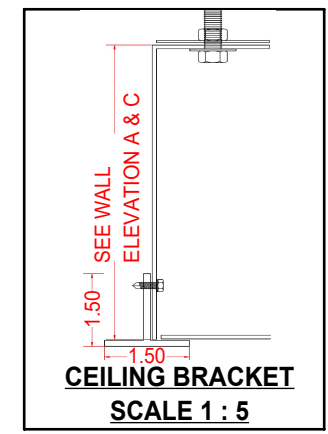


PLAN VIEW

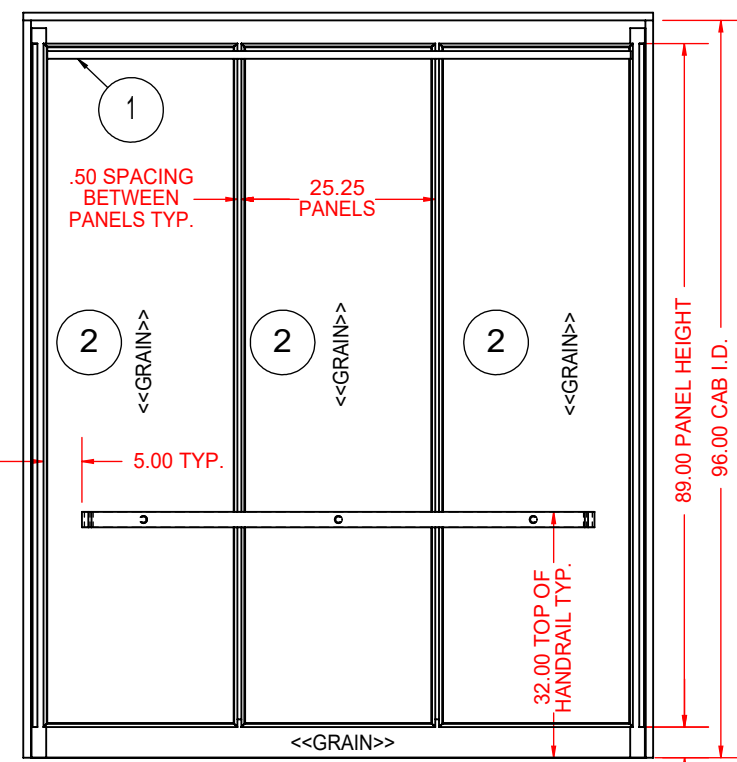


CEILING VIEW

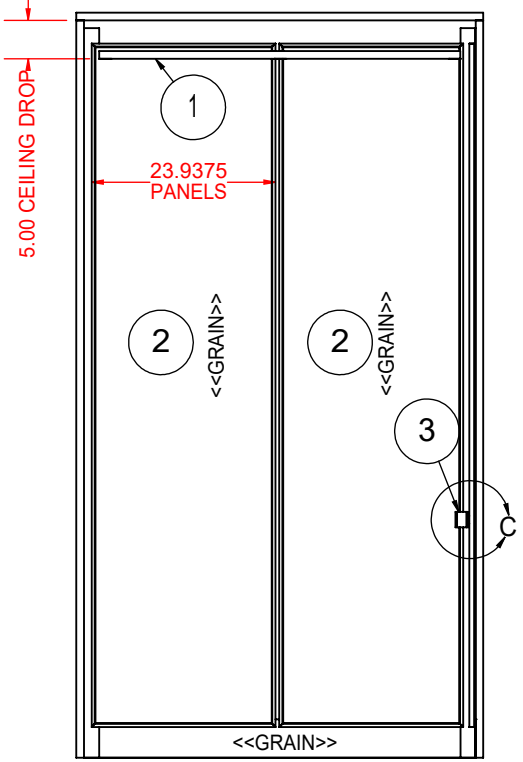


CEILING BRACKET SCALE 1:5

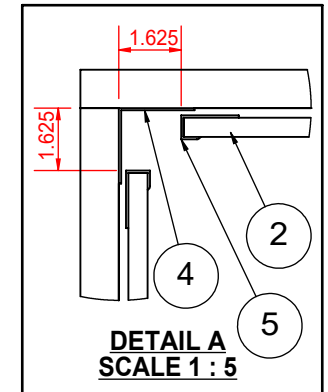
PARTS LIST & FINISH SELECTION				
ITEM	DESCRIPTION	MATERIAL	QTY	WEIGHT / lbs
1	CEILING	ANEGADA, BRUSHED ALUMINUM T-FRAME CEILING WITH CLEAR LAQUER 1.5 x 1.5 x .125" WITH 6 -STAINLESS #4 FINISH DROP-IN PANELS & 6 SOLOBEAM LED LIGHT FIXTURES	1	94.235
2	INTERIOR PANELS	FREEPORT, 7 PANEL SYSTEM 1/2" FRB FACED WITH WILSONART ASTRO STRANDZ 4940K-18 LAMINATE ALL PANELS HAVE BLACK PERIMETER PVC EDGE BANDING	1 (SET)	245.183
3	BACK HANDRAIL	2" FLAT #4 STAINLESS WITH PATENTED STAND OFF BRACKETS	1	14.184
4	RECESSED REVEALS	STAINLESS #4 FINISH	1 (SET)	30.991
5	ALUMINUM EDGE BANDING	BRUSHED ALUMINUM #4 FINISH CLEAR ANODIZED	1 (SET)	22.942



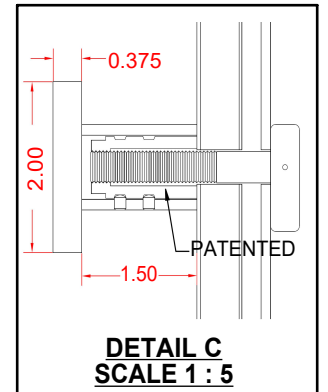
WALL ELEVATION B



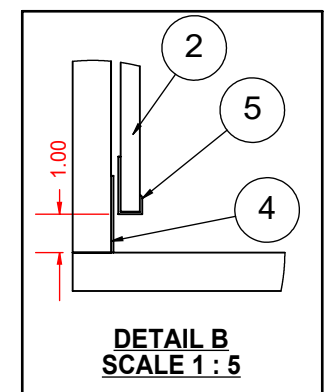
WALL ELEVATION A & C



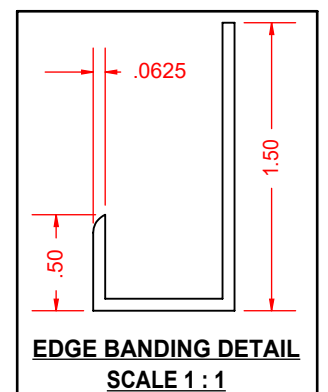
DETAIL A SCALE 1:5



DETAIL C SCALE 1:5



DETAIL B SCALE 1:5



EDGE BANDING DETAIL SCALE 1:1



8896 West State Rd. 236 Middletown, IN 47356 T: 800.800.4960

F.A.C. JOB NUMBER: XXXXX	CAPACITY: 2500 lbs	JOB NAME: JOB NAME HERE
CAB I.D.: CAB XX		CONTACT: YOUR NAME HERE!
WALL PANELS: FREEPORT		CEILING TYPE: ANEGADA T-FRAME
SALES REP: SALES REP NAME HERE	DATE: XX/XX/20XX	DRAWING SCALE: 1:25
REVISIONS:	FABRICATION APPROVAL SIGNATURE:	

SPECIFIC PRODUCT NOTES		UNIT CONVERSION	
ALL DIMENSIONS ARE GIVEN IN INCHES		1/2 = 0.5000	9/16 = 0.5625
1/8 = 0.1250	3/16 = 0.1875	5/8 = 0.6250	11/16 = 0.6875
1/4 = 0.2500	5/16 = 0.3125	3/4 = 0.7500	13/16 = 0.8125
3/8 = 0.3750	7/16 = 0.4375	7/8 = 0.8750	15/16 = 0.9375