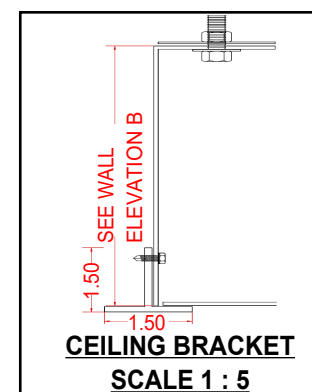
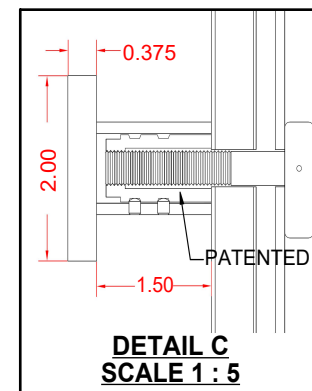
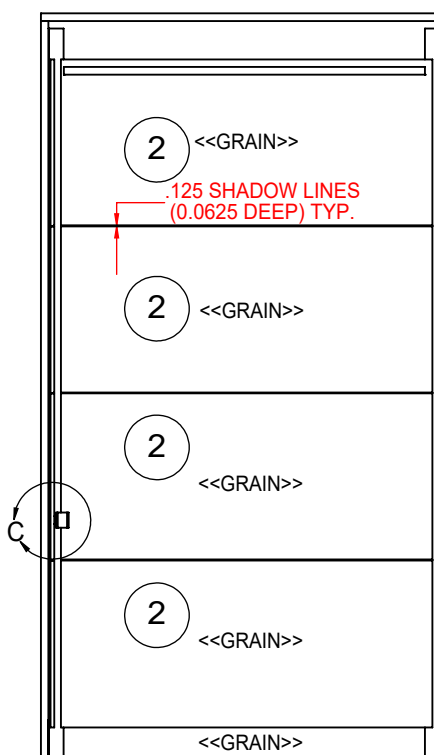
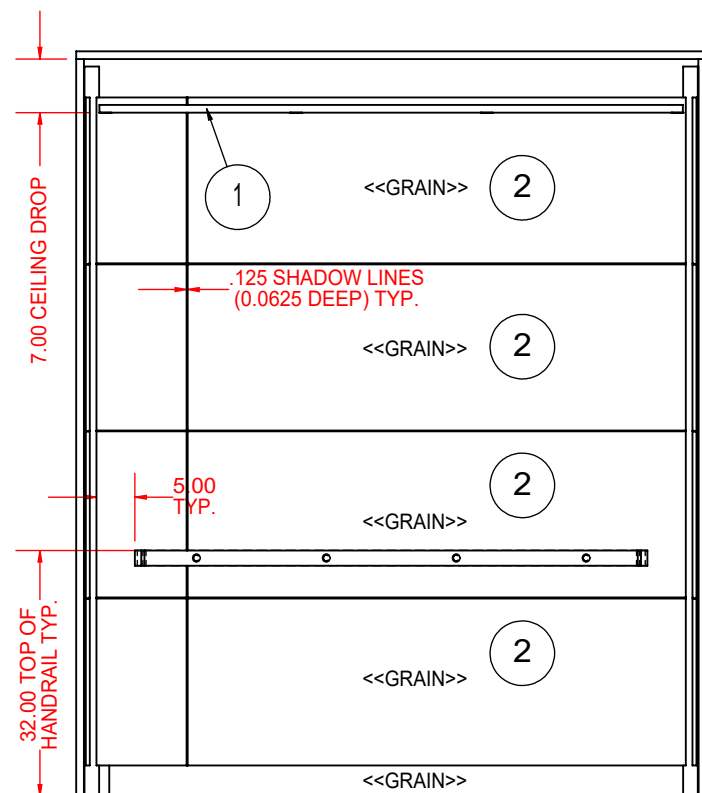
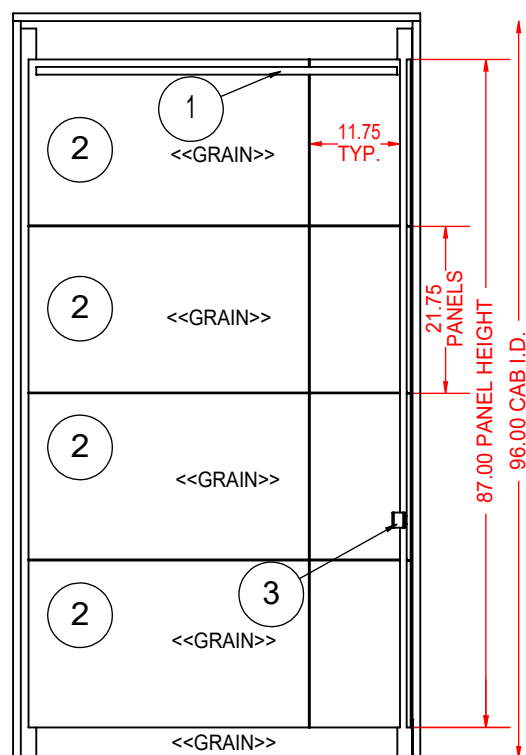


PARTS LIST & FINISH SELECTION				
ITEM	DESCRIPTION	MATERIAL	QTY	WEIGHT / lbs
1	CEILING	ANEGADA, T-FRAME CEILING WITH BLACK POWDER COATING 1.5 x 1.5 x .125" WITH 6 - YELLOW BRASS #4 FINISH DROP-IN PANELS & 6 SOLOBEAM LED LIGHT FIXTURES	1	94.235
2	INTERIOR PANELS	LA VEGA, 12 PANEL SYSTEM WITH 4 HORIZONTAL EQUAL PANELS AT EACH WALL OF 1/2" FRB FACED WITH FORMICA MACCHIATO WALNUT 6932-NT LAMINATE AND PERIMETER BLACK PVC EDGE-BANDING, ACCENT PANELS IN YELLOW BRASS #4 FINISH.	1 (SET)	280.198
3	BACK HANDRAIL	2" FLAT YELLOW BRASS #4 FINISH WITH PATENTED STAND OFF BRACKETS	1	14.184
4	RECESSED REVEALS	YELLOW BRASS #4 FINISH	1 (SET)	30.991



8896 West State Rd. 236
 Middletown, IN 47356

T: 800.800.4960

F.A.C. JOB NUMBER: XXXXX	CAPACITY: 2500 lbs	JOB NAME: JOB NAME HERE
CAB I.D.: CAB XX		CONTACT: YOUR NAME HERE!
WALL PANELS: LA VEGA		CEILING TYPE: ANEGADA T-FRAME
SALES REP: SALES REP NAME HERE	DATE: XX/XX/20XX	DRAWING SCALE: 1 : 25
REVISIONS:	FABRICATION APPROVAL SIGNATURE:	

SPECIFIC PRODUCT NOTES		UNIT CONVERSION	
ALL DIMENSIONS ARE GIVEN IN INCHES		1/2 = 0.5000	9/16 = 0.5625
1/8 = 0.1250	3/16 = 0.1875	5/8 = 0.6250	11/16 = 0.6875
1/4 = 0.2500	5/16 = 0.3125	3/4 = 0.7500	13/16 = 0.8125
3/8 = 0.3750	7/16 = 0.4375	7/8 = 0.8750	15/16 = 0.9375