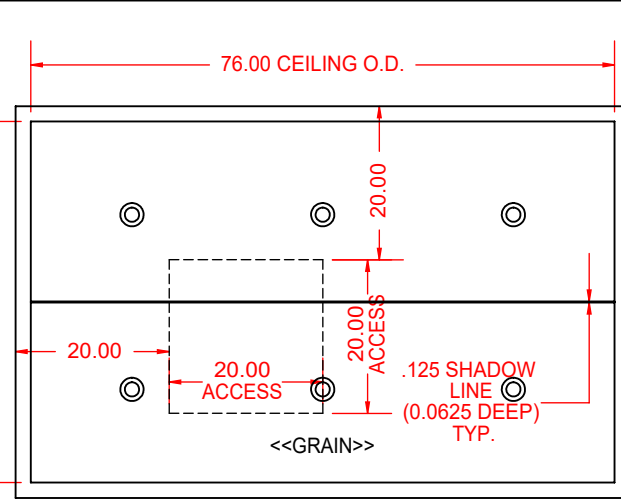
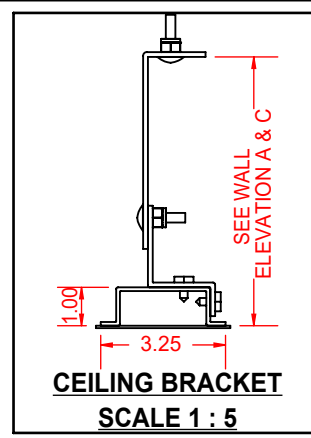


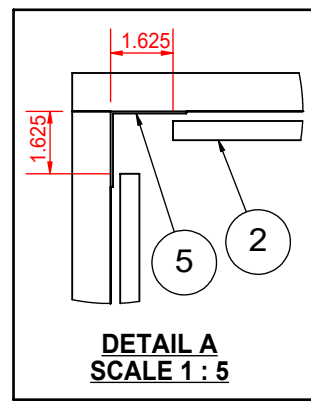
PLAN VIEW



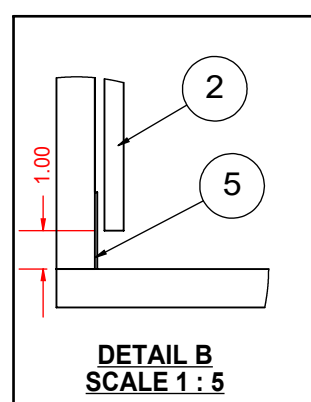
CEILING VIEW



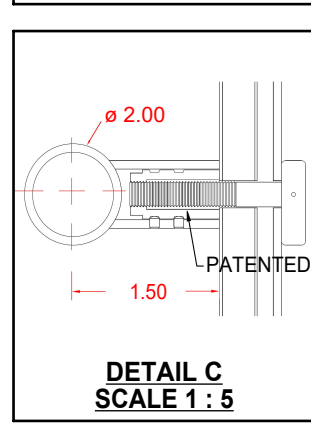
CEILING BRACKET SCALE 1:5



DETAIL A SCALE 1:5

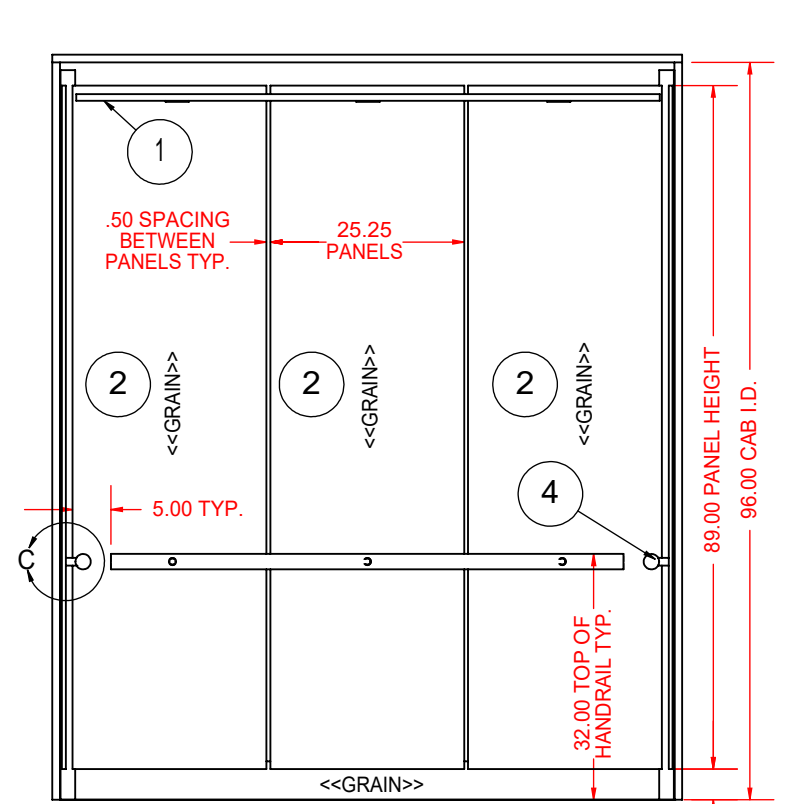


DETAIL B SCALE 1:5

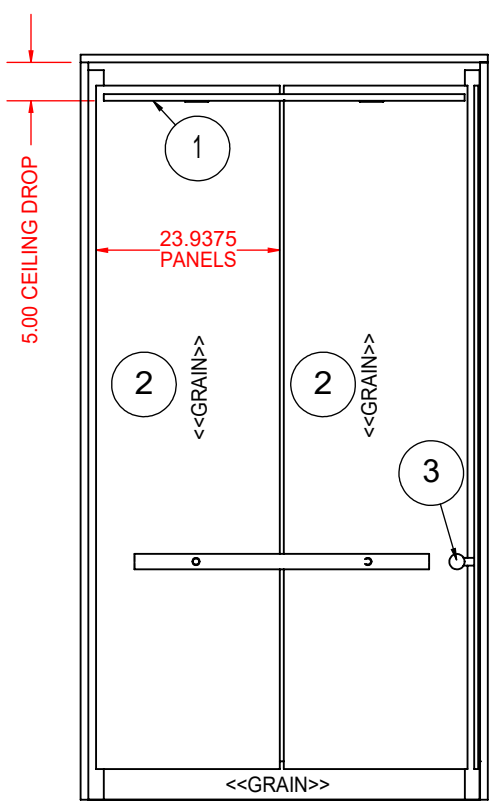


DETAIL C SCALE 1:5

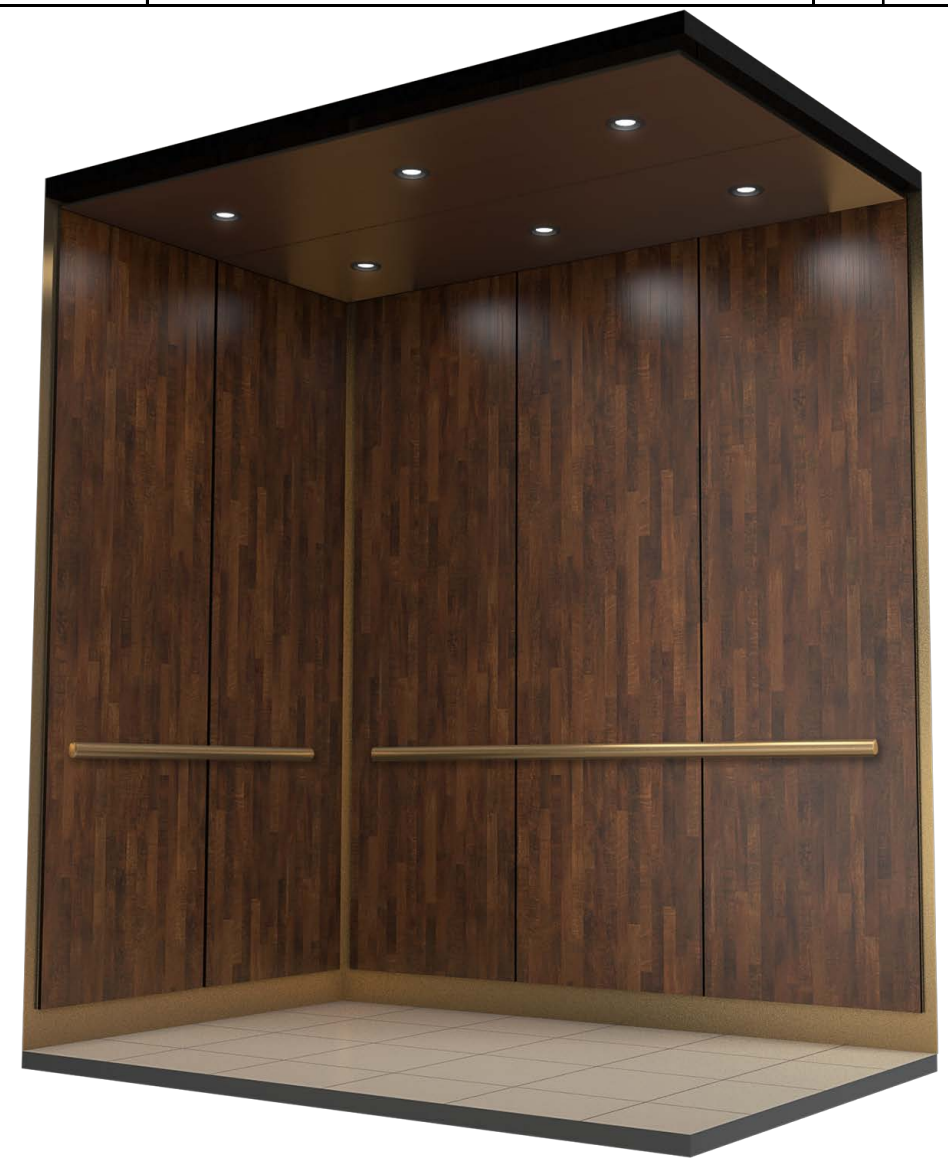
PARTS LIST & FINISH SELECTION				
ITEM	DESCRIPTION	MATERIAL	QTY	WEIGHT / lbs
1	CEILING	CUSTOM CHASTANET ISLAND CEILING WITH 18 GA. BRONZE #4 FINISH OVER 1/8" ALUMINUM SUBSTRATE WITH 6 SOLOBEAM LED LIGHT FIXTURES.	1	95.601
2	INTERIOR PANELS	NASSAU, 7 PANEL SYSTEM 1/2" FRB FACED WITH WILSONART OLD MILL OAK SOFT GRAIN #7973K-12 LAMINATE . ALL PANELS HAVE BLACK PERIMETER PVC EDGE BANDING	1 (SET)	248.675
3	BACK HANDRAIL	2" ROUND BRONZE #4 FINISH WITH PATENTED STAND OFF BRACKETS	1	20.32
4	SIDE HANDRAILS	2" ROUND BRONZE #4 FINISH WITH PATENTED STAND OFF BRACKETS ONE AT EACH SIDE WALL	2	23.364
5	RECESSED REVEALS	BRONZE #4 FINISH	1 (SET)	30.991



WALL ELEVATION B



WALL ELEVATION A & C



8896 West State Rd. 236 Middletown, IN 47356 T: 800.800.4960

F.A.C. JOB NUMBER: XXXXX	CAPACITY: 2500 lbs	JOB NAME: JOB NAME HERE
CAB I.D.: CAB XX		CONTACT: YOUR NAME HERE!
WALL PANELS: NASSAU		CEILING TYPE: CUSTOM CHASTANET
SALES REP: SALES REP. NAME HERE	DATE: XX/XX/20XX	DRAWING SCALE: 1:25
REVISIONS:	FABRICATION APPROVAL SIGNATURE:	

SPECIFIC PRODUCT NOTES		UNIT CONVERSION	
ALL DIMENSIONS ARE GIVEN IN INCHES			
1/16 = 0.0625	9/16 = 0.5625	1/2 = 0.5000	
1/8 = 0.1250	5/8 = 0.6250		
3/16 = 0.1875	11/16 = 0.6875		
1/4 = 0.2500	3/4 = 0.7500		
5/16 = 0.3125	13/16 = 0.8125		
3/8 = 0.3750	7/8 = 0.8750		
7/16 = 0.4375	15/16 = 0.9375		