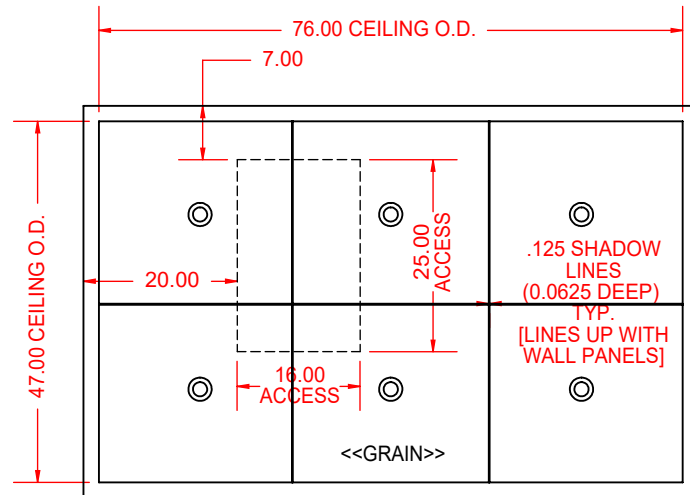
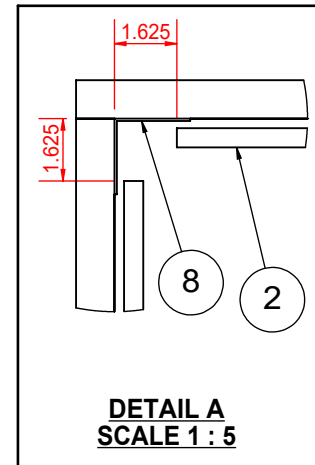


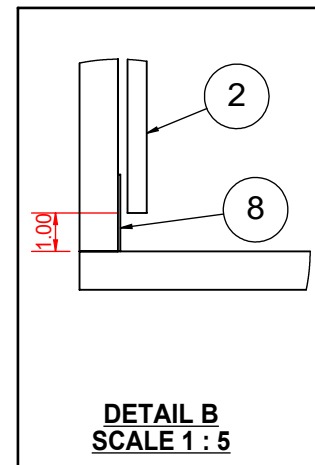
**PLAN VIEW**



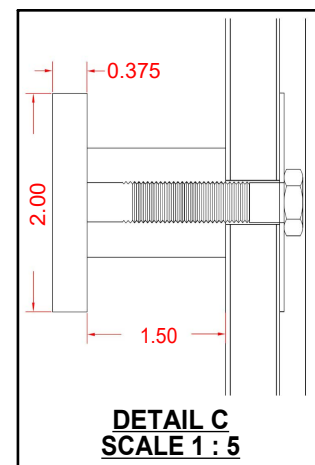
**CEILING VIEW**



**DETAIL A  
SCALE 1 : 5**

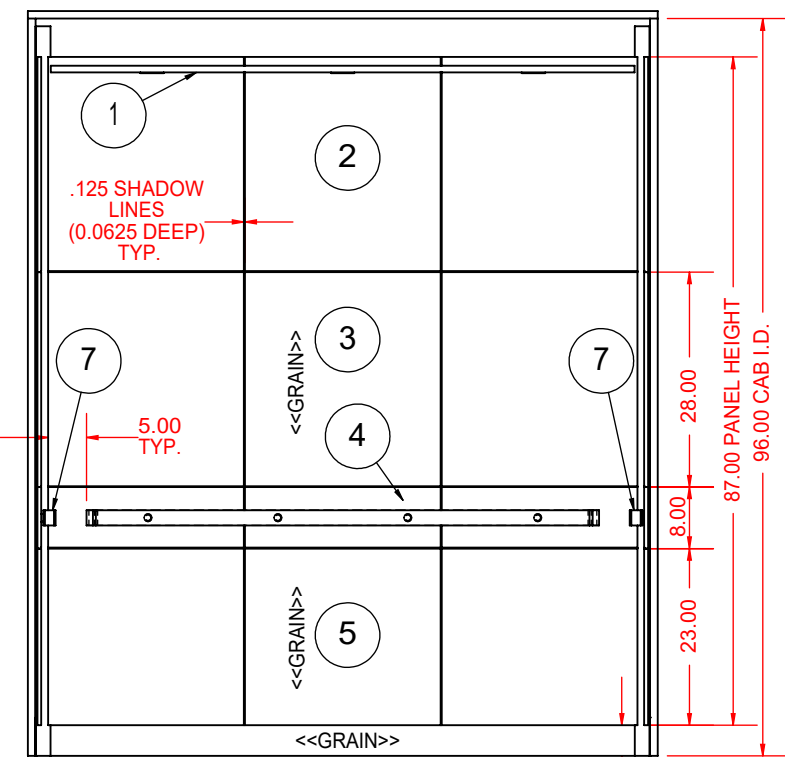


**DETAIL B  
SCALE 1 : 5**

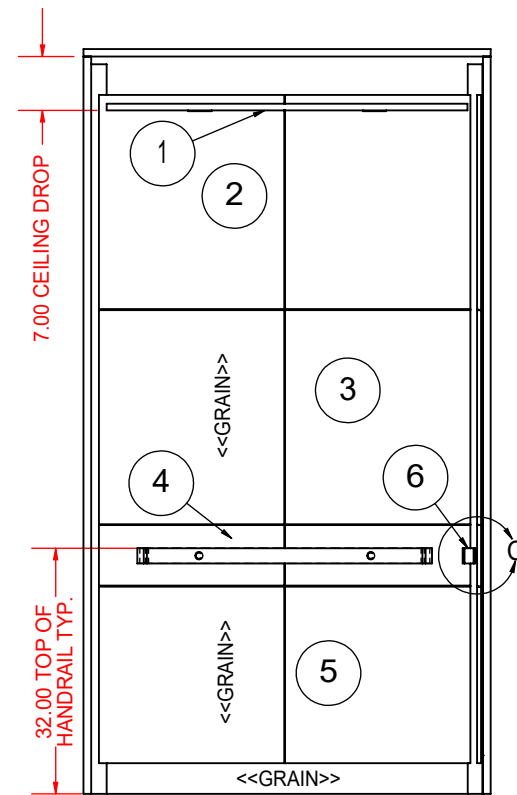


**DETAIL C  
SCALE 1 : 5**

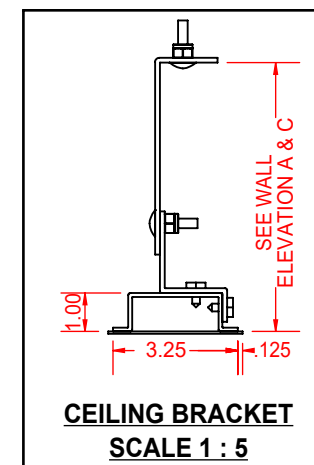
PARTS LIST & FINISH SELECTION				
ITEM	DESCRIPTION	MATERIAL	QTY	WEIGHT / lbs
1	CEILING	MANZANILLA ISLAND CEILING - SIX SECTION #4 STAINLESS WITH SIX (6) SOLOBEAM LED LIGHT FIXTURES	1	89.2438
2	UPPER PANELS	1/2" FRB FACED WITH WILSONART PLATINUM D315-60 LAMINATE	3	83.8583
3	MIDDLE PANELS	1/2" FRB FACED WITH WILSONART STERLING ASH 7995-38 LAMINATE CROSS GRAIN	3	83.8583
4	RAIL PANELS	1/2" FRB FACED WITH WILSONART PLATINUM D315-60 LAMINATE	3	23.1333
5	BOTTOM PANELS	1/2" FRB FACED WITH WILSONART STERLING ASH 7995-38 LAMINATE CROSS GRAIN	3	66.5083
6	BACK HANDRAIL	2" FLAT #4 STAINLESS WITH STANDARD STAND OFF BRACKETS	1	14.184
7	SIDE HANDRAIL	2" FLAT #4 STAINLESS WITH STANDARD STAND OFF BRACKETS ONE AT EACH SIDE WALL	2	16.3094
8	RECESSED REVEALS	STAINLESS #4 FINISH	1 (SET)	23.011



**WALL ELEVATION B**



**WALL ELEVATION A & C**



**CEILING BRACKET  
SCALE 1 : 5**



8896 West State Rd. 236  
Middletown, IN 47356

T: 800.800.4960

F.A.C. JOB NUMBER: XXXXX CAPACITY: 2500 lbs

CAB I.D.: CAB XX

WALL PANELS: SANTA CRUZ

SALES REP: SALES REP NAME HERE

REVISIONS:

JOB NAME: JOB NAME HERE

CONTACT: YOUR NAME HERE!

CEILING TYPE: MANZANILLA

DATE: XX/XX/20XX

DRAWING SCALE: 1 : 25

FABRICATION APPROVAL SIGNATURE:

**SPECIFIC PRODUCT NOTES**

ALL DIMENSIONS ARE GIVEN IN INCHES

**UNIT CONVERSION**

1/2 = 0.5000	9/16 = 0.5625
1/8 = 0.1250	5/8 = 0.6250
3/16 = 0.1875	11/16 = 0.6875
1/4 = 0.2500	3/4 = 0.7500
5/16 = 0.3125	13/16 = 0.8125
3/8 = 0.3750	7/8 = 0.8750
7/16 = 0.4375	15/16 = 0.9375

SHEET 1 OF 1