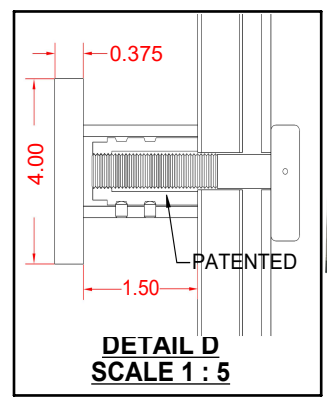
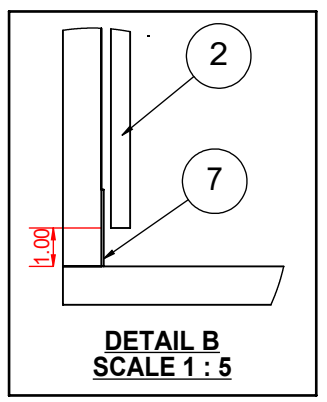
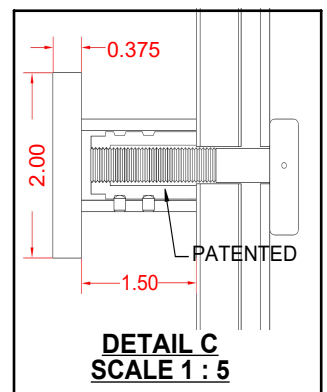
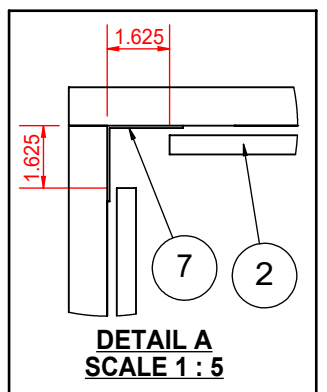
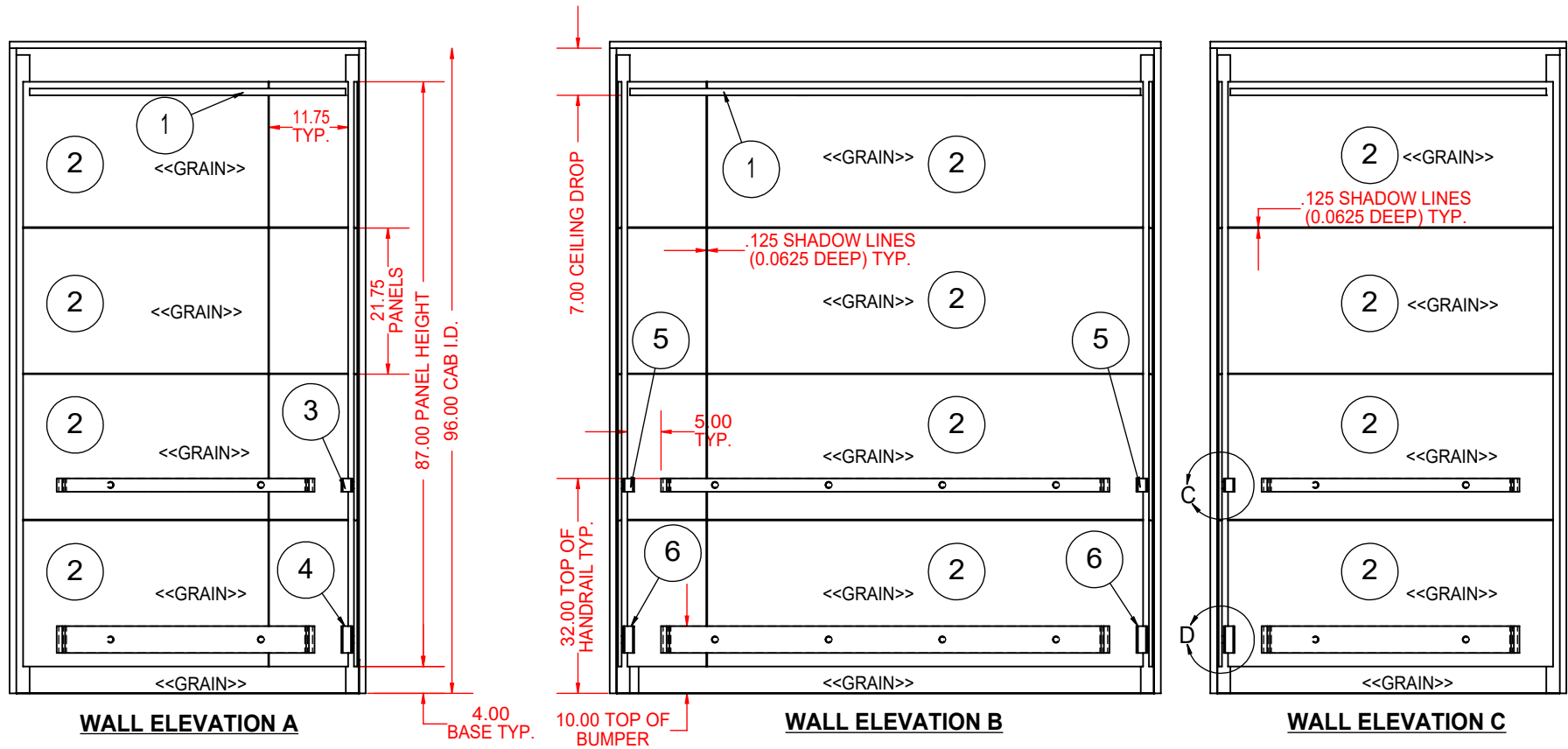


PARTS LIST & FINISH SELECTION				
ITEM	DESCRIPTION	MATERIAL	QTY	WEIGHT / lbs
1	CEILING	ANEGADA, T-FRAME CEILING WITH BLACK POWDER COATING 1.5 x 1.5 x .125" WITH 6 - BLACK POWDER COATED DROP-IN PANELS & 6 SOLOBEAM LED LIGHT FIXTURES	1	94.235
2	INTERIOR PANELS	SANTA DOMINGO, 12 PANEL SYSTEM WITH 4 HORIZONTAL EQUAL PANELS AT EACH WALL OF 1/2" FRB FACED WITH WILSONART SKYLINE WALNUT 7964K-12 & PERIMETER BLACK PVC EDGE BANDING	1 (SET)	251.575
3	BACK HANDRAIL	2" FLAT #4 STAINLESS WITH PATENTED STAND OFF BRACKETS	1	14.184
4	BACK BUMPER RAIL	4" FLAT #4 STAINLESS WITH PATENTED STAND OFF BRACKETS	1	16.309
5	SIDE HANDRAIL	2" FLAT #4 STAINLESS WITH PATENTED STAND OFF BRACKETS ONE AT EACH SIDE WALL	2	28.369
6	SIDE BUMPER RAIL	4" FLAT #4 STAINLESS WITH PATENTED STAND OFF BRACKETS ONE AT EACH SIDE WALL	2	32.619
7	RECESSED REVEALS	STAINLESS #4 FINISH	1 (SET)	30.991



8896 West State Rd. 236
Middletown, IN 47356

T: 800.800.4960

F.A.C. JOB NUMBER: XXXXX	CAPACITY: 2500 lbs	JOB NAME: JOB NAME HERE
CAB I.D.: CAB XX		CONTACT: YOUR NAME HERE!
WALL PANELS: SANTO DOMINGO		CEILING TYPE: ANEGADA T-FRAME
SALES REP: SALES REP NAME HERE	DATE: XX/XX/20XX	DRAWING SCALE: 1 : 25
REVISIONS:	FABRICATION APPROVAL SIGNATURE:	

SPECIFIC PRODUCT NOTES		UNIT CONVERSION	
ALL DIMENSIONS ARE GIVEN IN INCHES			
1/16 = 0.0625	9/16 = 0.5625	1/2 = 0.5000	
1/8 = 0.1250	5/8 = 0.6250		
3/16 = 0.1875	11/16 = 0.6875		
1/4 = 0.2500	3/4 = 0.7500		
5/16 = 0.3125	13/16 = 0.8125		
3/8 = 0.3750	7/8 = 0.8750		
7/16 = 0.4375	15/16 = 0.9375		