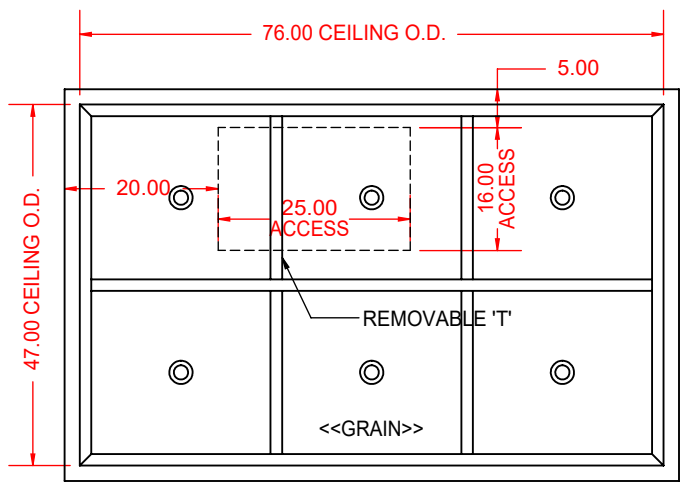
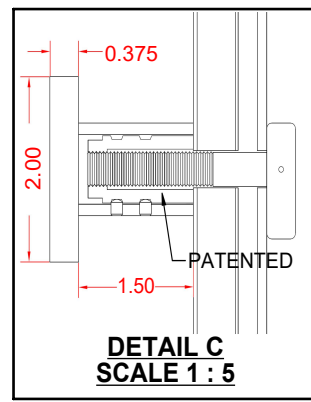
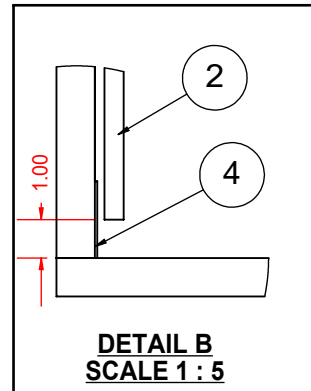
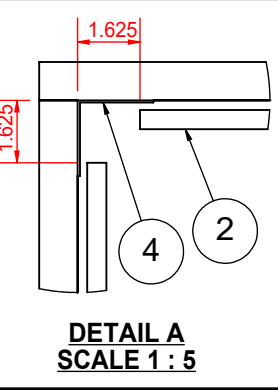
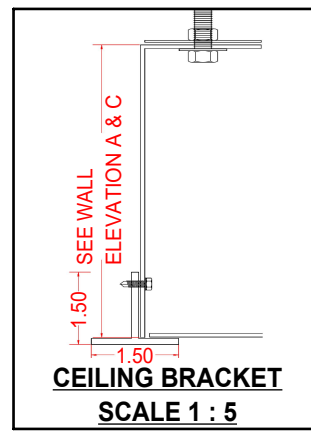


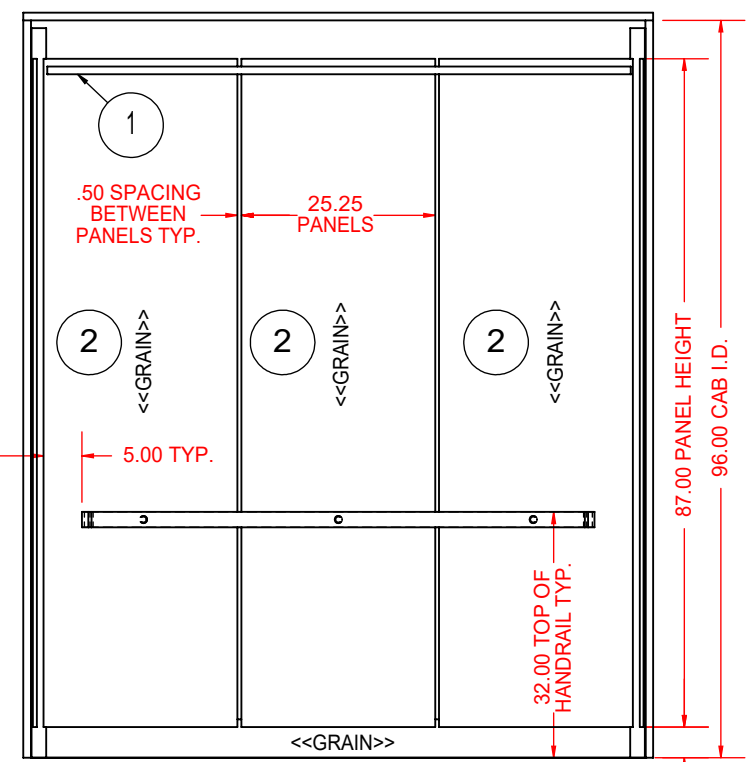
PLAN VIEW



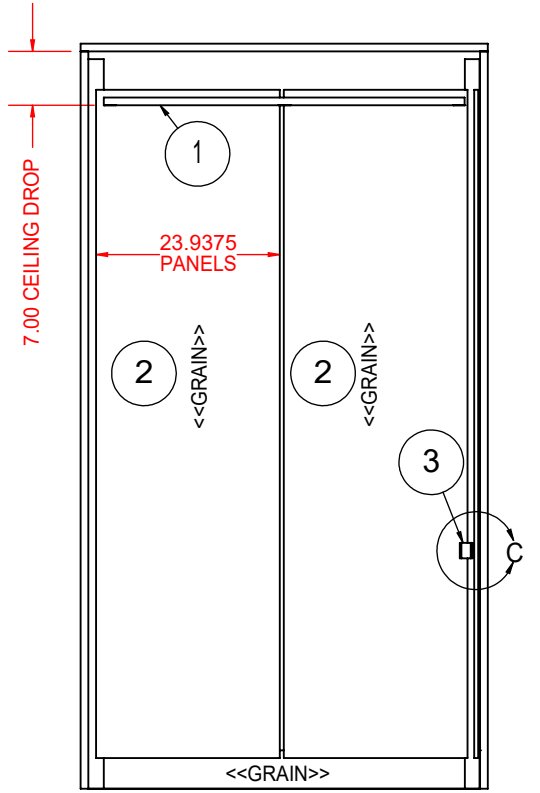
CEILING VIEW



PARTS LIST & FINISH SELECTION				
ITEM	DESCRIPTION	MATERIAL	QTY	WEIGHT / lbs
1	CEILING	ANEGADA, T-FRAME CEILING WITH BLACK POWDER COATING 1.5 x 1.5 x .125" WITH 6 - POWDER COATED DROP-IN PANELS & 6 SOLOBEAM LED LIGHT FIXTURES	1	94.235
2	INTERIOR PANELS	VANDAL, 7 PANEL SYSTEM 1/2" FRB CLADDED WITH RIMEX 5SM STAINLESS CLADDING. ALL PANELS HAVE BLACK PERIMETER PVC EDGE BANDING	1 (SET)	457.562
3	BACK HANDRAIL	2" FLAT #4 STAINLESS WITH PATENTED STAND OFF BRACKETS	1	14.184
4	RECESSED REVEALS	BLACK POWDER COATED STEEL	1 (SET)	30.991



WALL ELEVATION B



WALL ELEVATION A & C



8896 West State Rd. 236 Middletown, IN 47356 T: 800.800.4960

F.A.C. JOB NUMBER: XXXXX	CAPACITY: 2500 lbs	JOB NAME: JOB NAME HERE
CAB I.D.: CAB XX		CONTACT: YOUR NAME HERE!
WALL PANELS: VANDAL		CEILING TYPE: ANEGADA T-FRAME
SALES REP: SALES REP NAME HERE	DATE: XX/XX/20XX	DRAWING SCALE: 1 : 25
REVISIONS:	FABRICATION APPROVAL SIGNATURE:	

SPECIFIC PRODUCT NOTES		UNIT CONVERSION	
ALL DIMENSIONS ARE GIVEN IN INCHES			
1/16 = 0.0625	3/16 = 0.1875	1/2 = 0.5000	9/16 = 0.5625
1/8 = 0.1250	5/16 = 0.3125	5/8 = 0.6250	11/16 = 0.6875
3/8 = 0.3750	7/16 = 0.4375	3/4 = 0.7500	13/16 = 0.8125
		7/8 = 0.8750	15/16 = 0.9375