

FABRAL

Project:

Contractor:

THIS DRAWING IS THE
PROPERTY OF FABRAL,
INC. THE USE OF THIS
DRAWING WITHOUT THE
EXPRESS PERMISSION
OF FABRAL IS
PROHIBITED.

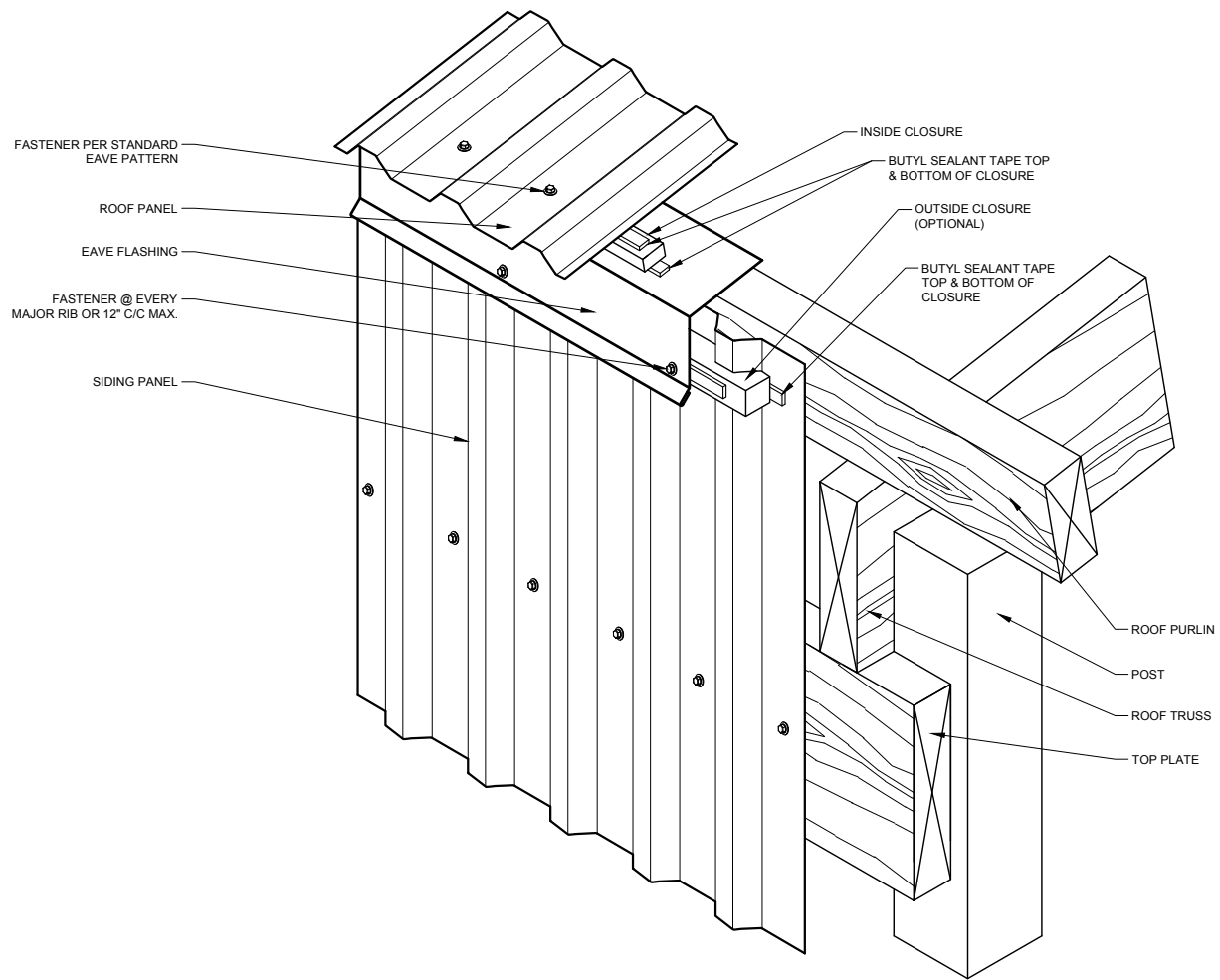
FABRAL, INC.
3449 Hempland Road
Lancaster, PA 17601
800-477-2741

VENTED GABLE DETAIL

HEFTI RIB

Issued:

SEP 2013



FABRAL®

Project:

Contractor:

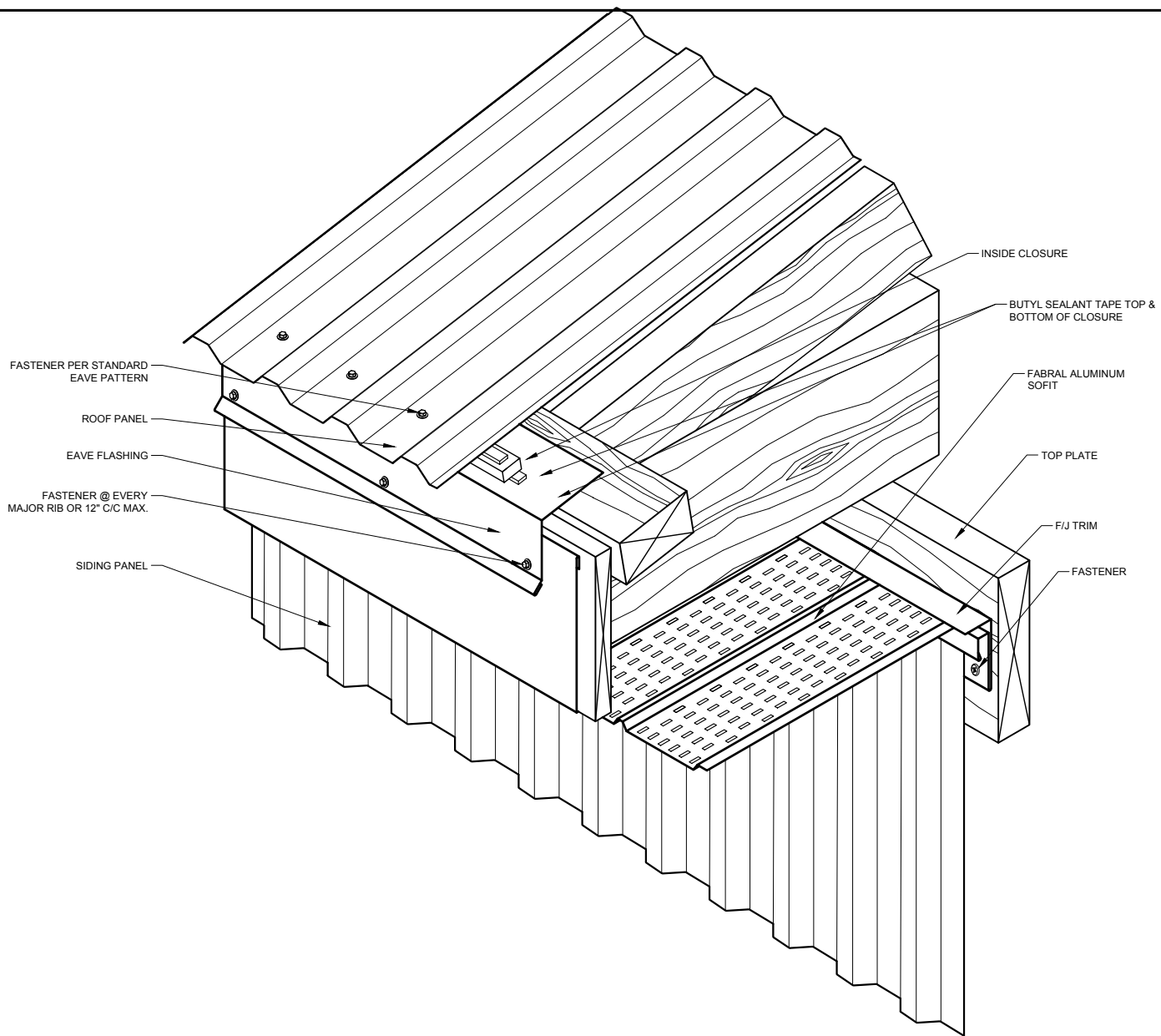
*THIS DRAWING IS THE
PROPERTY OF FABRAL,
INC. THE USE OF THIS
DRAWING WITHOUT THE
EXPRESS PERMISSION
OF FABRAL IS
PROHIBITED.*

FABRAL, INC.
3449 Hempland Road
Lancaster, PA 17601
800-477-2741

EAVE

HEFTI RIB

Issued:
SEP 2013



FABRAL®

Project:

Contractor:

THIS DRAWING IS THE PROPERTY OF FABRAL, INC. THE USE OF THIS DRAWING WITHOUT THE EXPRESS PERMISSION OF FABRAL IS PROHIBITED.

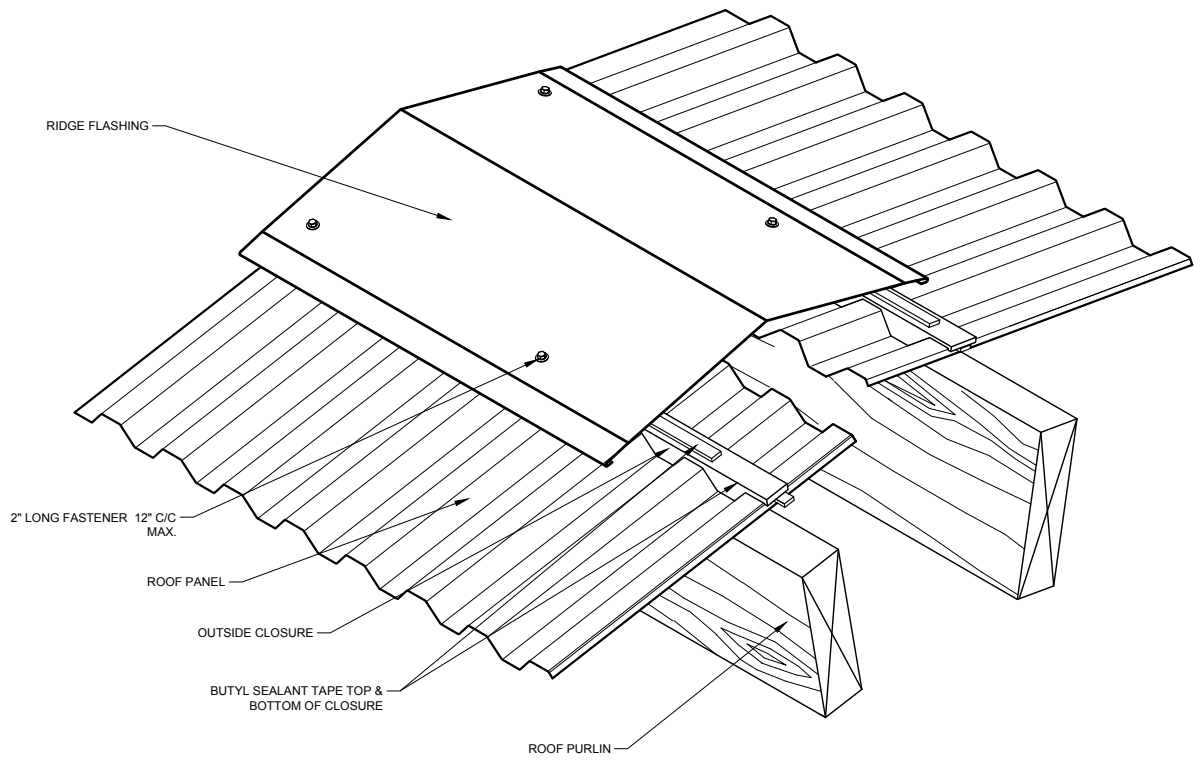
FABRAL, INC.
 3449 Hempland Road
 Lancaster, PA 17601
 800-477-2741

VENTED EAVE

HEFTI RIB

Issued:

SEP 2013



FABRAL

Project:

Contractor:

RIDGE/PEAK - NON VENTED

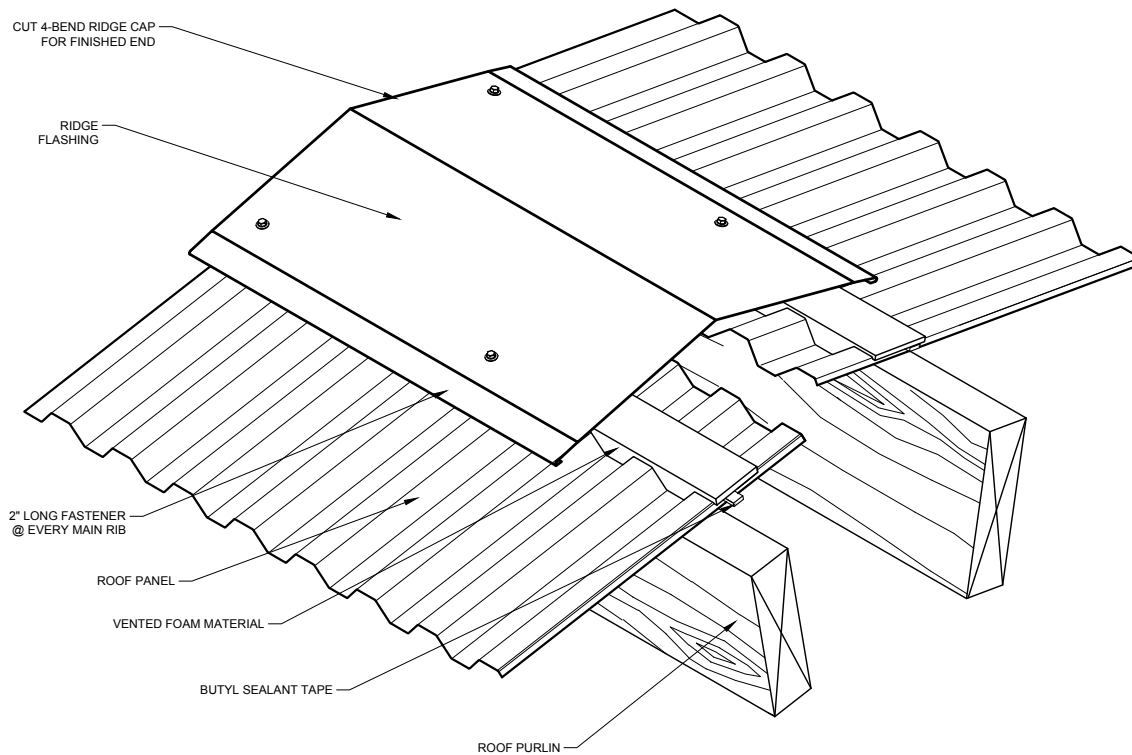
THIS DRAWING IS THE PROPERTY OF FABRAL, INC. THE USE OF THIS DRAWING WITHOUT THE EXPRESS PERMISSION OF FABRAL IS PROHIBITED.

FABRAL, INC.
 3449 Hempland Road
 Lancaster, PA 17601
 800-477-2741

HEFTI RIB

Issued:

SEP 2013



FABRAL

Project:

Contractor:

THIS DRAWING IS THE PROPERTY OF FABRAL, INC. THE USE OF THIS DRAWING WITHOUT THE EXPRESS PERMISSION OF FABRAL IS PROHIBITED.

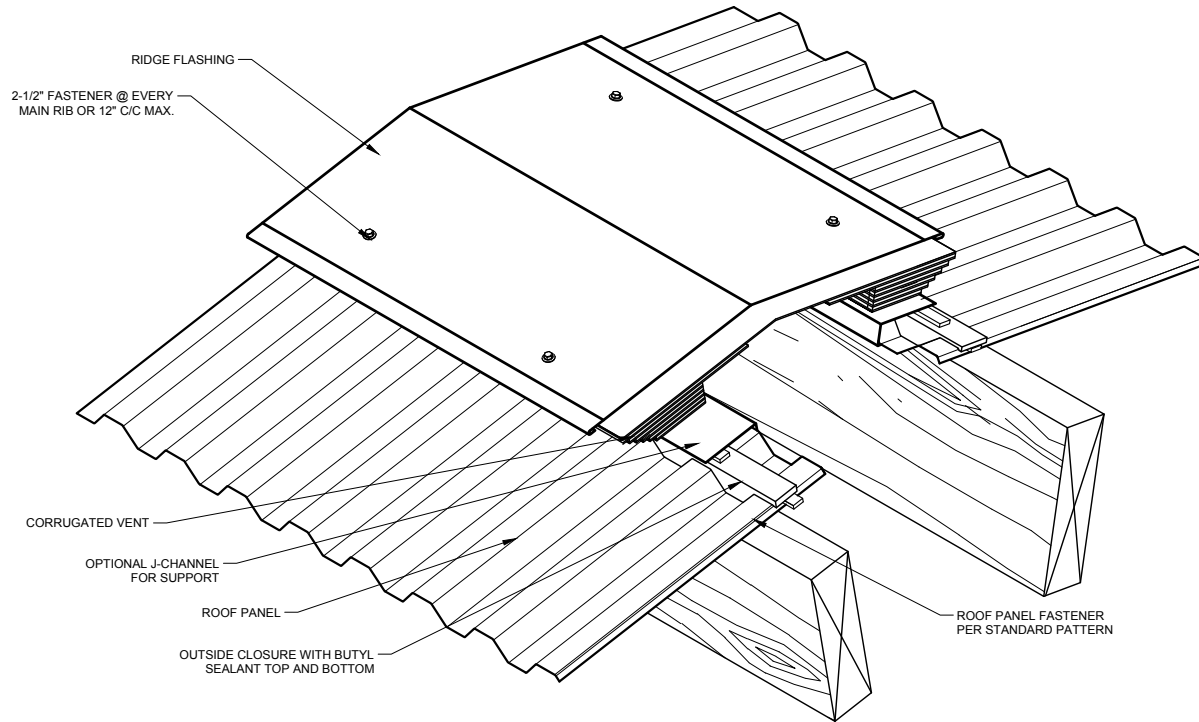
FABRAL, INC.
 3449 Hempland Road
 Lancaster, PA 17601
 800-477-2741

PROFILE VENTED RIDGE

HEFTI RIB

Issued:

SEP 2013



FABRAL

Project:

Contractor:

THIS DRAWING IS THE PROPERTY OF FABRAL, INC. THE USE OF THIS DRAWING WITHOUT THE EXPRESS PERMISSION OF FABRAL IS PROHIBITED.

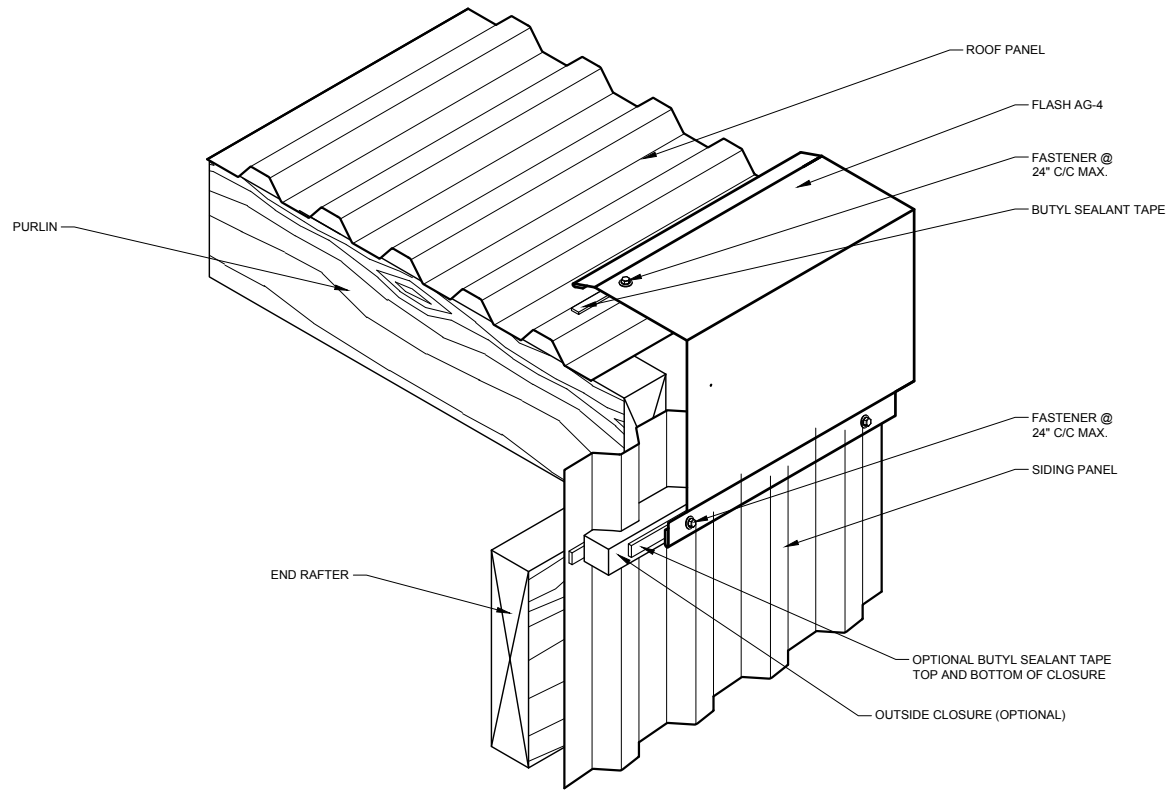
FABRAL, INC.
 3449 Hempland Road
 Lancaster, PA 17601
 800-477-2741

ALT. VENTED RIDGE

HEFTI RIB

Issued:

SEP 2013



FABRAL®

Project:

Contractor:

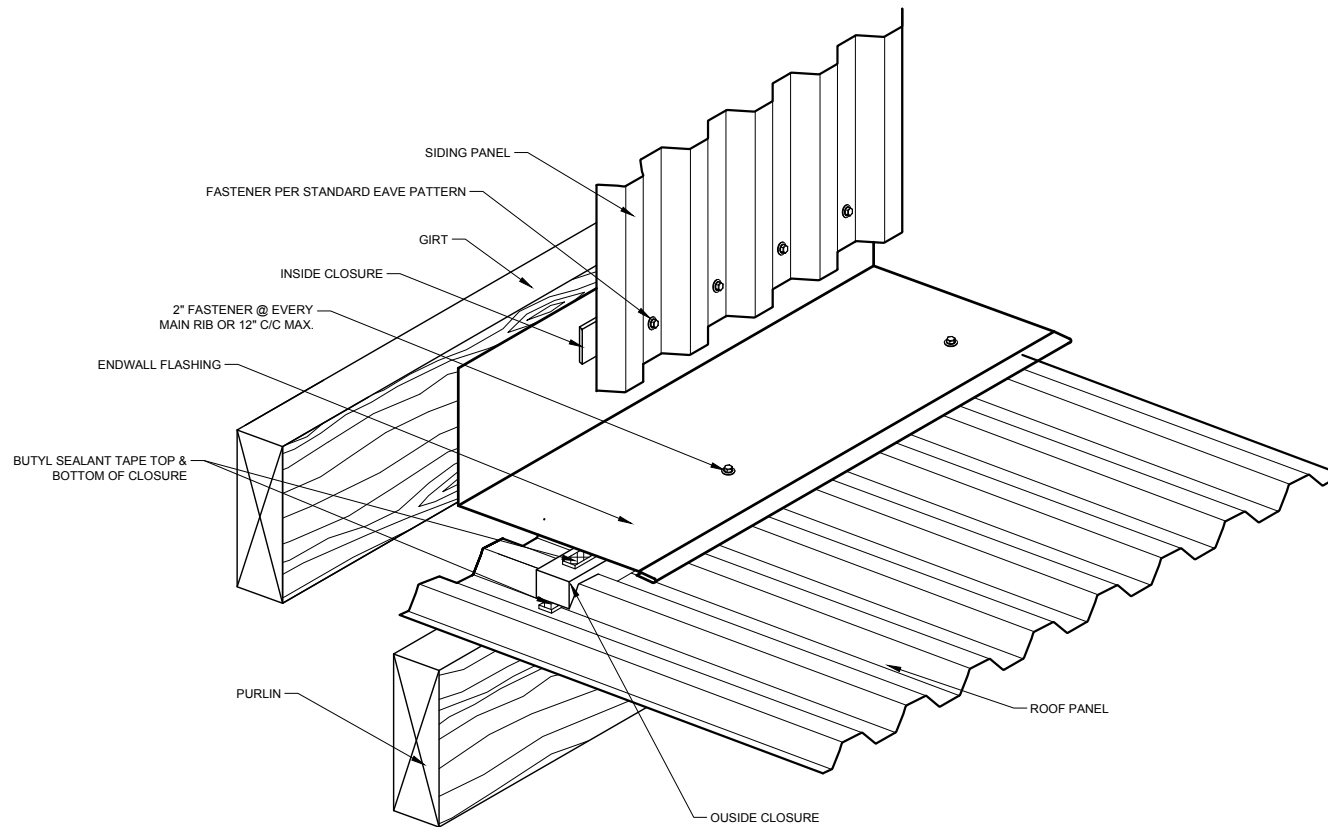
THIS DRAWING IS THE PROPERTY OF FABRAL, INC. THE USE OF THIS DRAWING WITHOUT THE EXPRESS PERMISSION OF FABRAL IS PROHIBITED.

FABRAL, INC.
 3449 Hempland Road
 Lancaster, PA 17601
 800-477-2741

GABLE

HEFTI RIB

Issued:
 SEP 2013



FABRAL®

Project:

Contractor:

THIS DRAWING IS THE PROPERTY OF FABRAL, INC. THE USE OF THIS DRAWING WITHOUT THE EXPRESS PERMISSION OF FABRAL IS PROHIBITED.

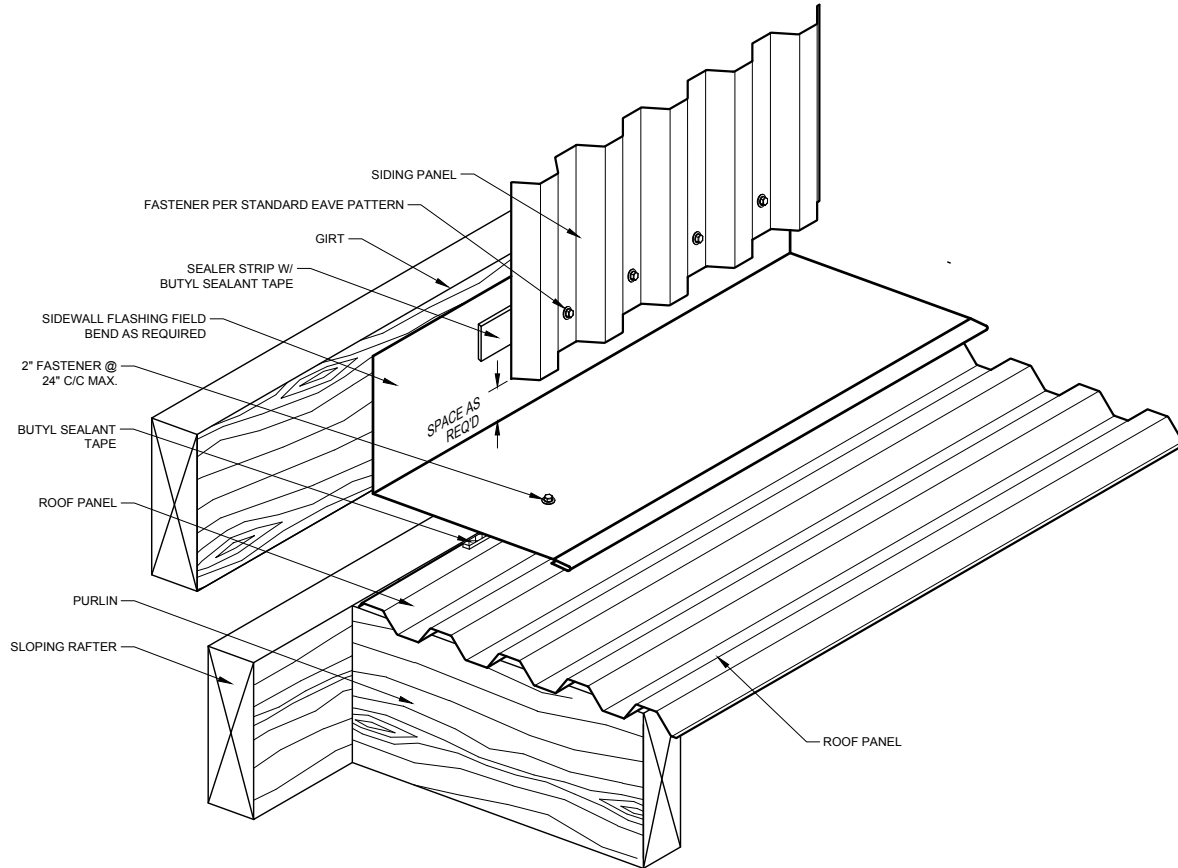
FABRAL, INC.
 3449 Hempland Road
 Lancaster, PA 17601
 800-477-2741

ENDWALL

HEFTI RIB

Issued:

SEP 2013



FABRAL

Project:

Contractor:

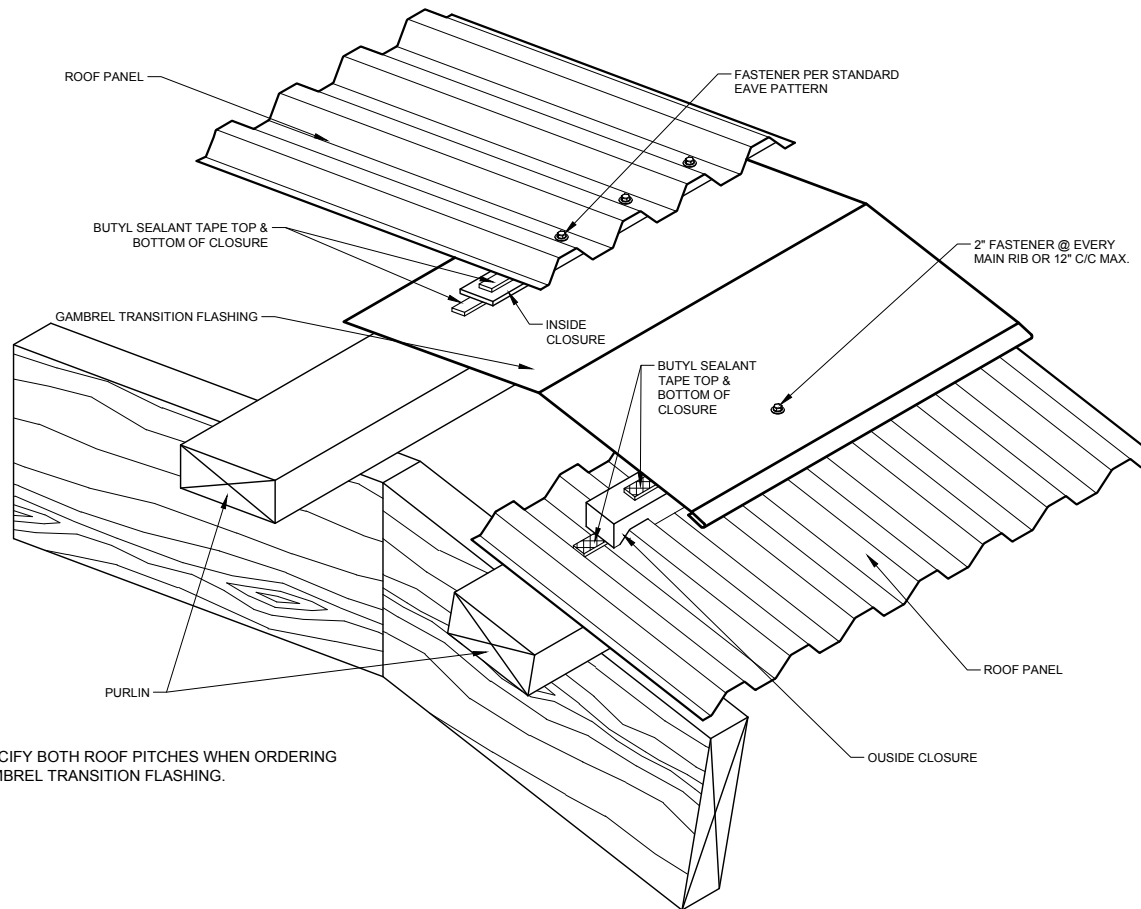
*THIS DRAWING IS THE
PROPERTY OF FABRAL,
INC. THE USE OF THIS
DRAWING WITHOUT THE
EXPRESS PERMISSION
OF FABRAL IS
PROHIBITED.*

FABRAL, INC.
3449 Hempland Road
Lancaster, PA 17601
800-477-2741

SIDEWALL

HEFTI RIB

Issued:
SEP 2013



NOTE: SPECIFY BOTH ROOF PITCHES WHEN ORDERING GAMBREL TRANSITION FLASHING.

FABRAL®

Project:

Contractor:

THIS DRAWING IS THE PROPERTY OF FABRAL, INC. THE USE OF THIS DRAWING WITHOUT THE EXPRESS PERMISSION OF FABRAL IS PROHIBITED.

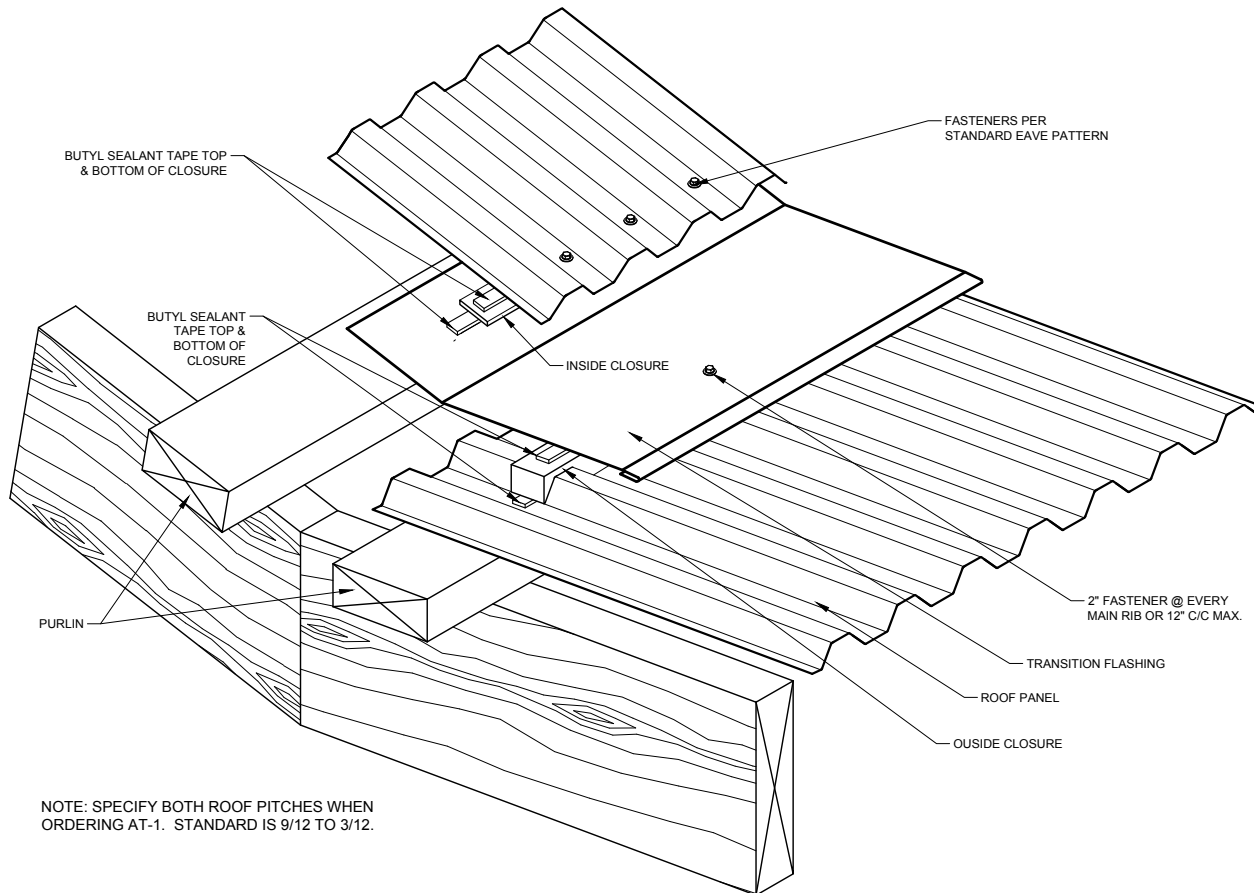
FABRAL, INC.
 3449 Hempland Road
 Lancaster, PA 17601
 800-477-2741

GAMBREL

HEFTI RIB

Issued:

SEP 2013



FABRAL

Project:

Contractor:

THIS DRAWING IS THE PROPERTY OF FABRAL, INC. THE USE OF THIS DRAWING WITHOUT THE EXPRESS PERMISSION OF FABRAL IS PROHIBITED.

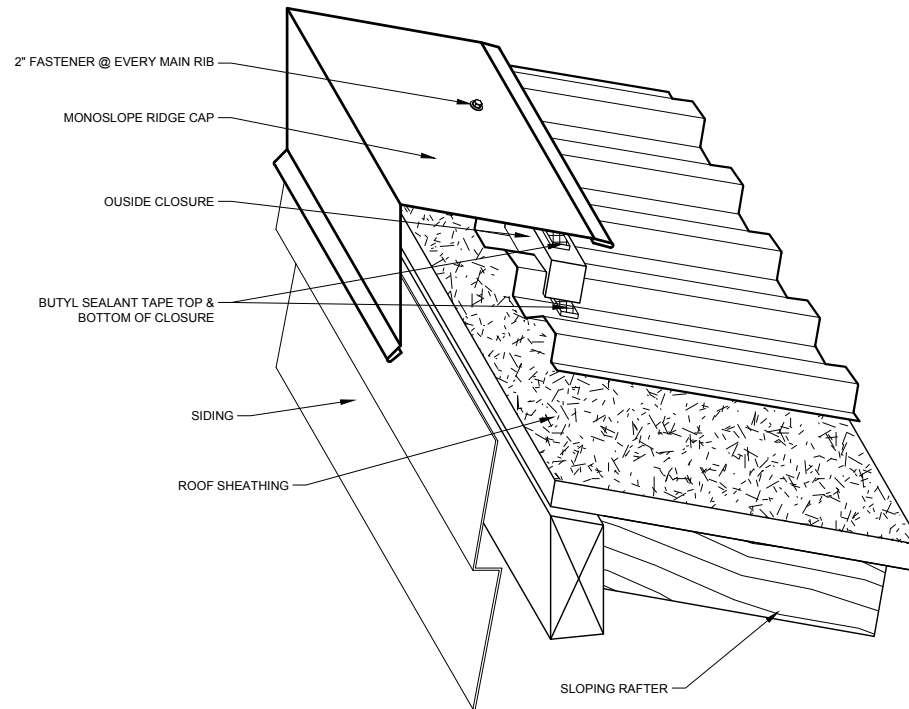
FABRAL, INC.
 3449 Hempland Road
 Lancaster, PA 17601
 800-477-2741

TRANSITION

HEFTI RIB

Issued:

SEP 2013



FABRAL®

Project:

Contractor:

THIS DRAWING IS THE
PROPERTY OF FABRAL,
INC. THE USE OF THIS
DRAWING WITHOUT THE
EXPRESS PERMISSION
OF FABRAL IS
PROHIBITED.

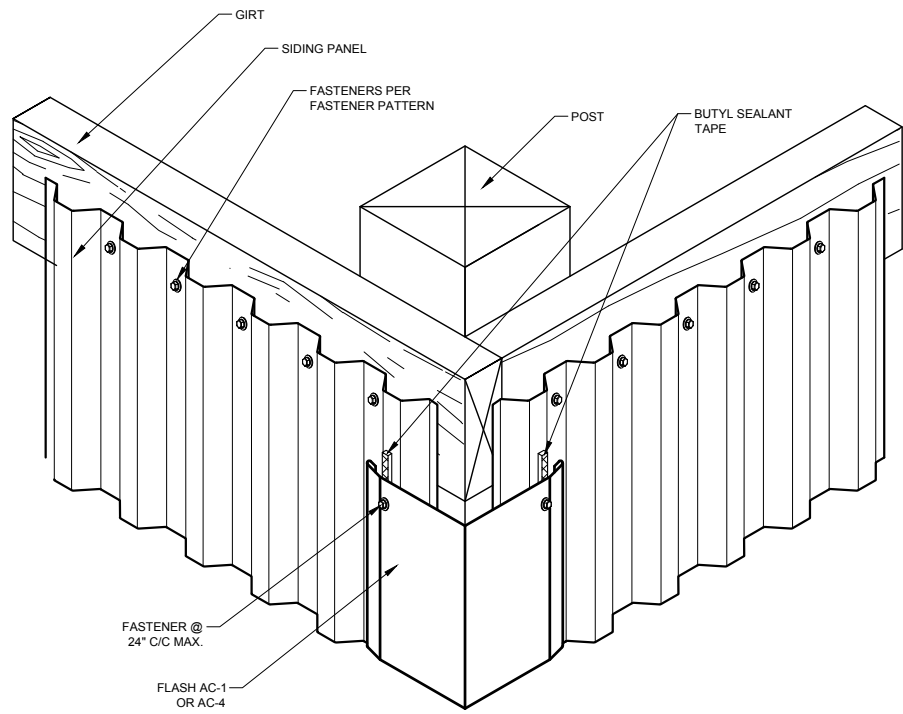
FABRAL, INC.
3449 Hempland Road
Lancaster, PA 17601
800-477-2741

MONOSLOPE RIDGE

HEFTI RIB

Issued:

SEP 2013



FASTENER @
24" C/C MAX.

FLASH AC-1
OR AC-4

Project:

Contractor:

THIS DRAWING IS THE
PROPERTY OF FABRAL,
INC. THE USE OF THIS
DRAWING WITHOUT THE
EXPRESS PERMISSION
OF FABRAL IS
PROHIBITED.

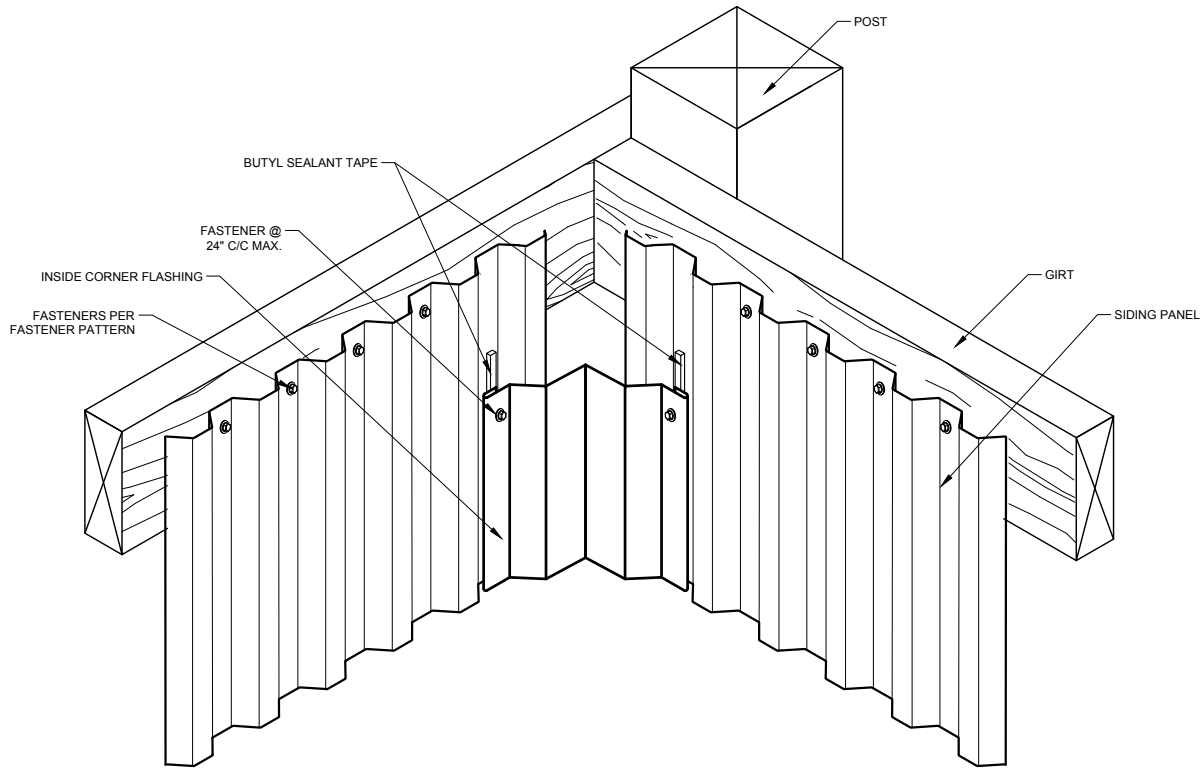
FABRAL, INC.
3449 Hempland Road
Lancaster, PA 17601
800-477-2741

FABRAL®

OUTSIDE CORNER

HEFTI RIB

Issued:
SEP 2013



FABRAL

Project:

Contractor:

THIS DRAWING IS THE PROPERTY OF FABRAL, INC. THE USE OF THIS DRAWING WITHOUT THE EXPRESS PERMISSION OF FABRAL IS PROHIBITED.

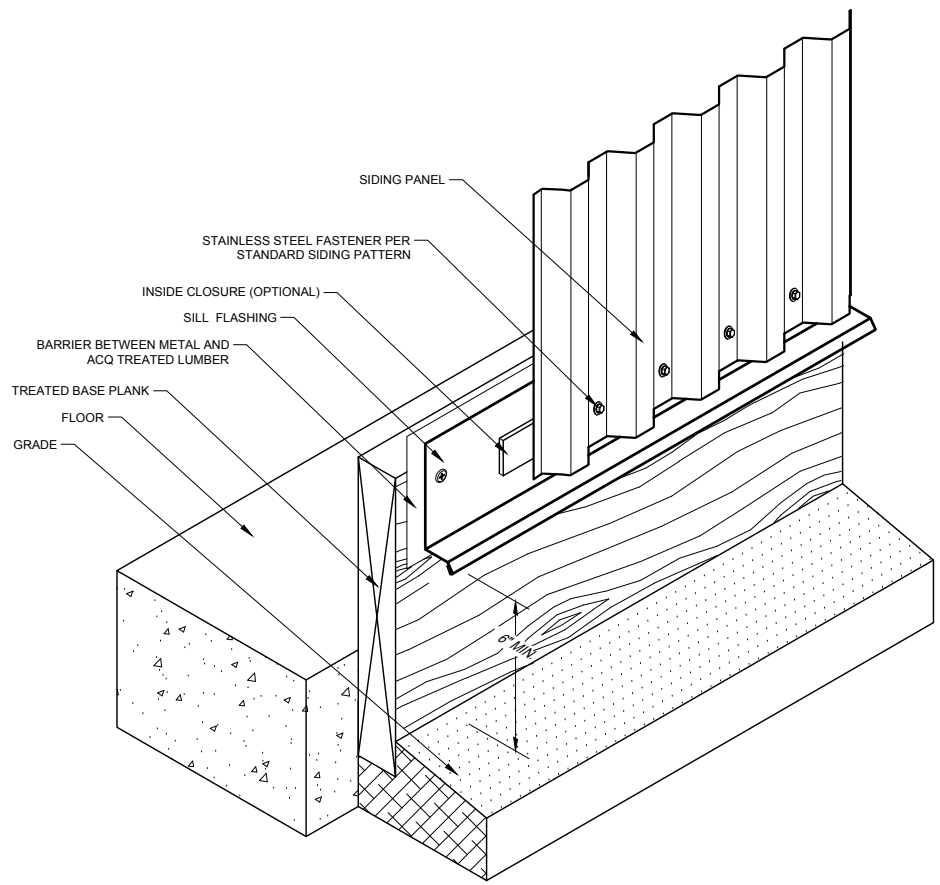
FABRAL, INC.
 3449 Hempland Road
 Lancaster, PA 17601
 800-477-2741

INSIDE CORNER

HEFTI RIB

Issued:

SEP 2013



FABRAL®

Project:

Contractor:

THIS DRAWING IS THE PROPERTY OF FABRAL, INC. THE USE OF THIS DRAWING WITHOUT THE EXPRESS PERMISSION OF FABRAL IS PROHIBITED.

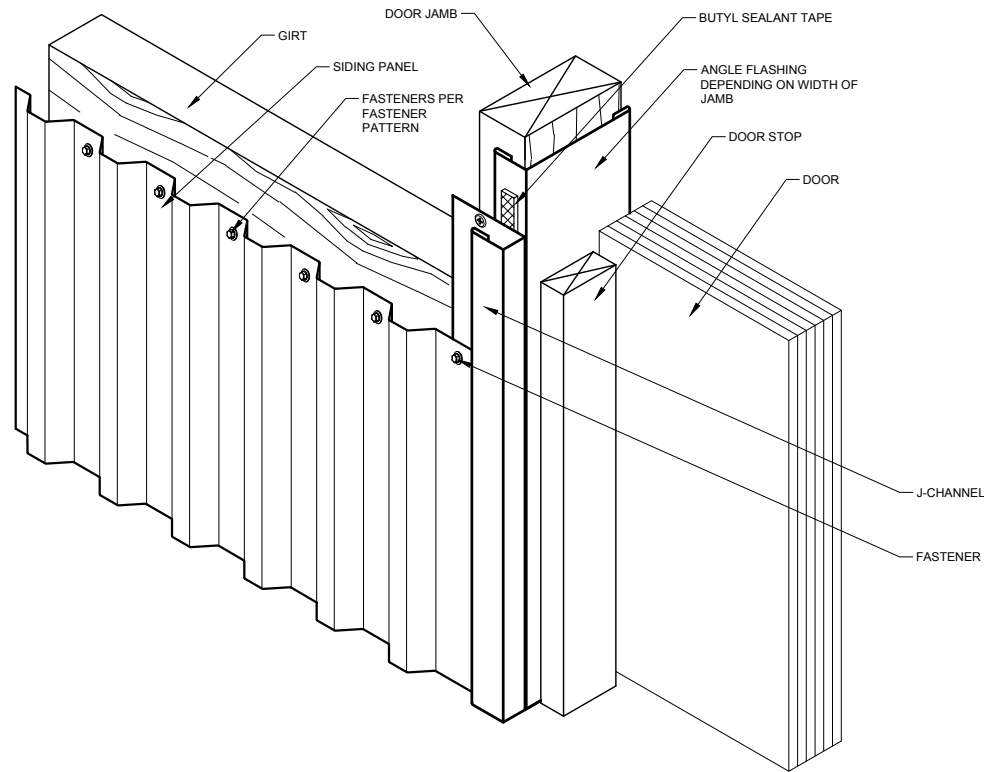
FABRAL, INC.
 3449 Hempland Road
 Lancaster, PA 17601
 800-477-2741

BASE GUARD

HEFTI RIB

Issued:

SEP 2013



FABRAL®

Project:

Contractor:

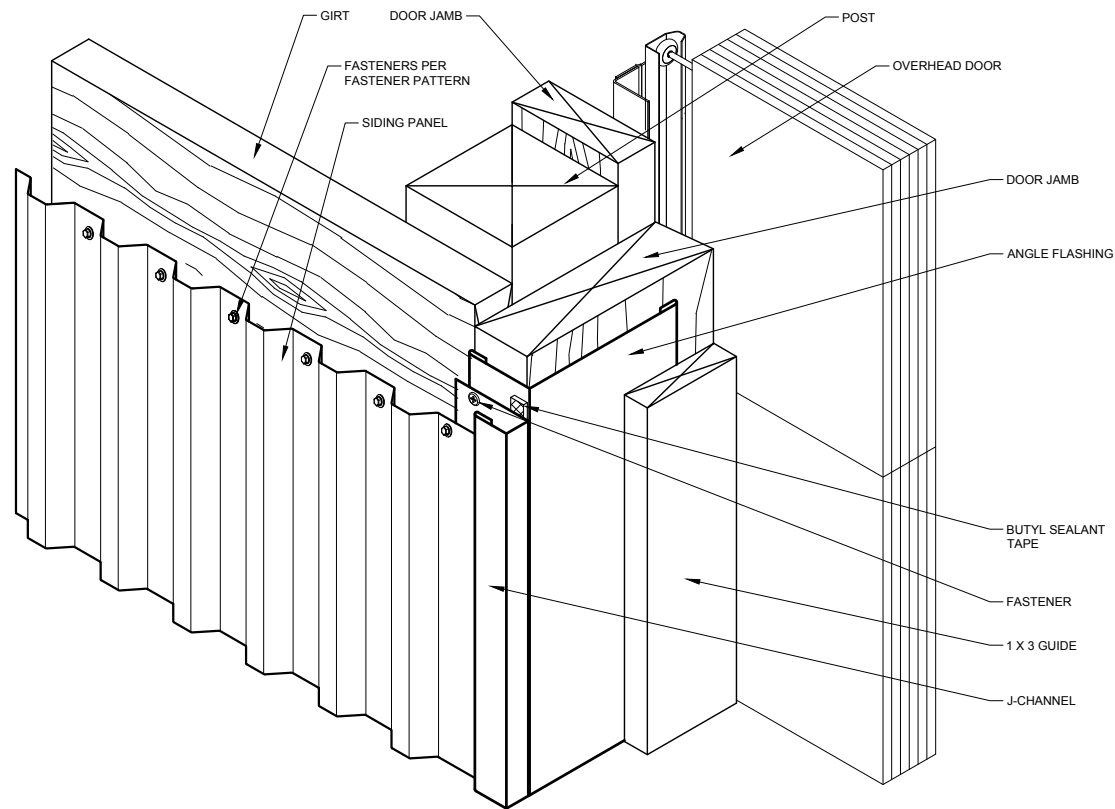
THIS DRAWING IS THE PROPERTY OF FABRAL, INC. THE USE OF THIS DRAWING WITHOUT THE EXPRESS PERMISSION OF FABRAL IS PROHIBITED.

FABRAL, INC.
 3449 Hempland Road
 Lancaster, PA 17601
 800-477-2741

DOOR JAMBS

HEFTI RIB

Issued:
 SEP 2013



FABRAL®

Project:

Contractor:

THIS DRAWING IS THE
PROPERTY OF FABRAL,
INC. THE USE OF THIS
DRAWING WITHOUT THE
EXPRESS PERMISSION
OF FABRAL IS
PROHIBITED.

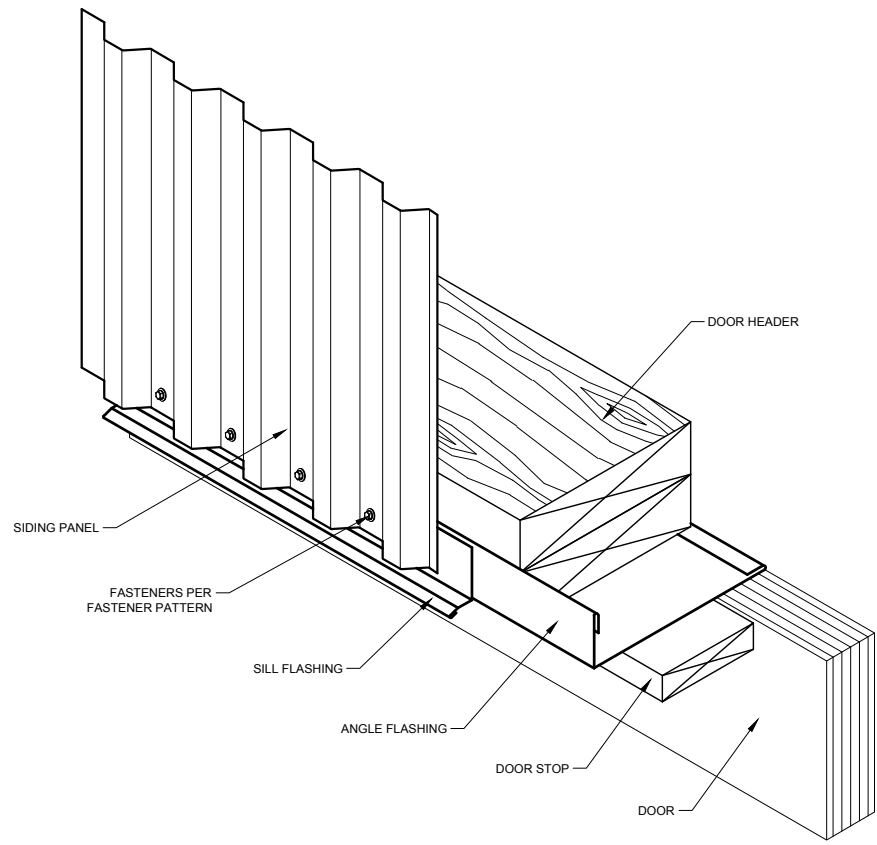
FABRAL, INC.
3449 Hempland Road
Lancaster, PA 17601
800-477-2741

OVERHEAD DOOR JAMBS

HEFTI RIB

Issued:

SEP 2013



FABRAL

Project:

Contractor:

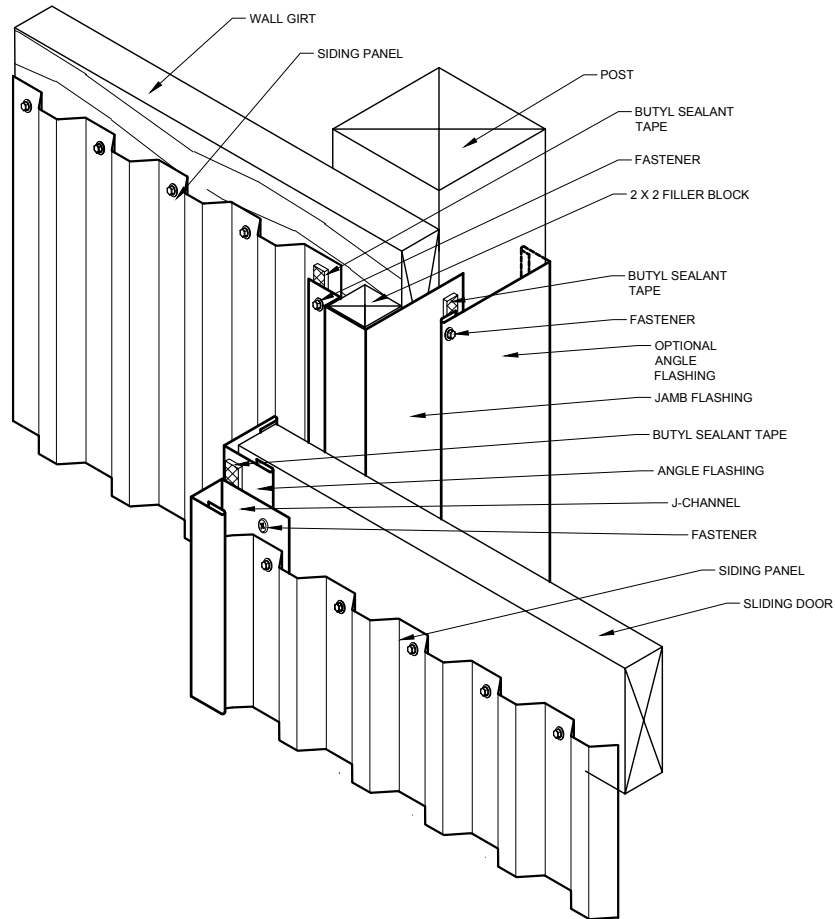
THIS DRAWING IS THE PROPERTY OF FABRAL, INC. THE USE OF THIS DRAWING WITHOUT THE EXPRESS PERMISSION OF FABRAL IS PROHIBITED.

FABRAL, INC.
 3449 Hempland Road
 Lancaster, PA 17601
 800-477-2741

DOOR HEADER

HEFTI RIB

Issued:
 SEP 2013



FABRAL®

Project:

Contractor:

*THIS DRAWING IS THE
PROPERTY OF FABRAL,
INC. THE USE OF THIS
DRAWING WITHOUT THE
EXPRESS PERMISSION
OF FABRAL IS
PROHIBITED.*

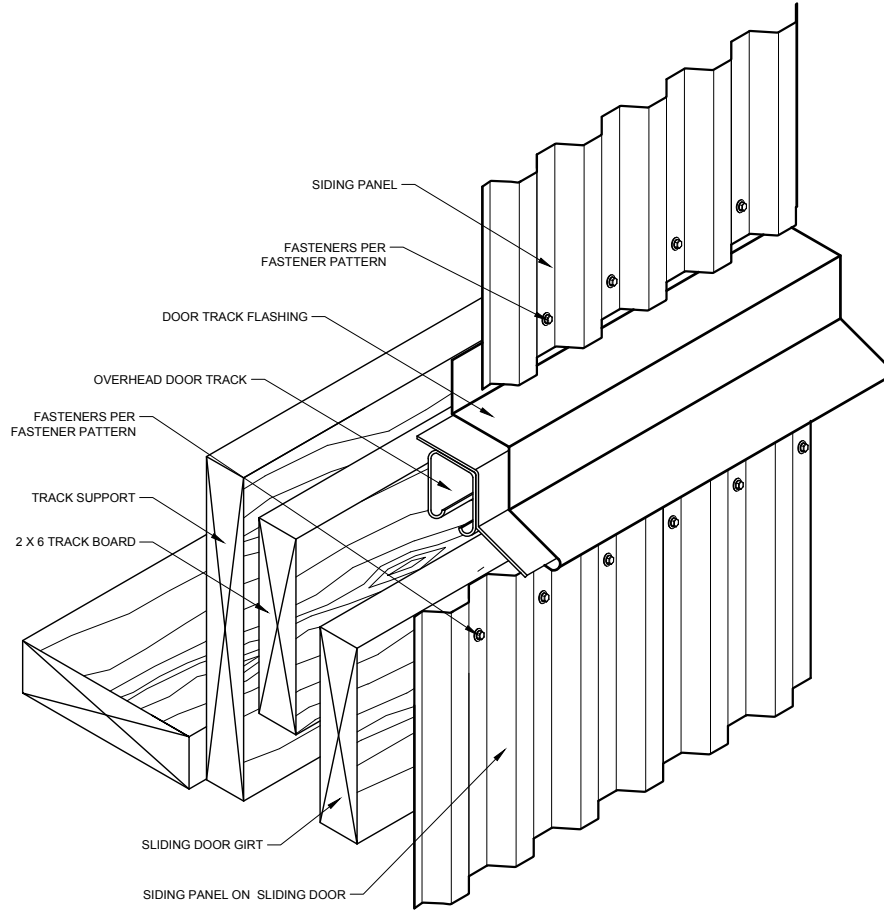
FABRAL, INC.
3449 Hempland Road
Lancaster, PA 17601
800-477-2741

SLIDING DOOR JAMB DETAIL

HEFTI RIB

Issued:

SEP 2013



FABRAL®

Project:

Contractor:

*THIS DRAWING IS THE
PROPERTY OF FABRAL,
INC. THE USE OF THIS
DRAWING WITHOUT THE
EXPRESS PERMISSION
OF FABRAL IS
PROHIBITED.*

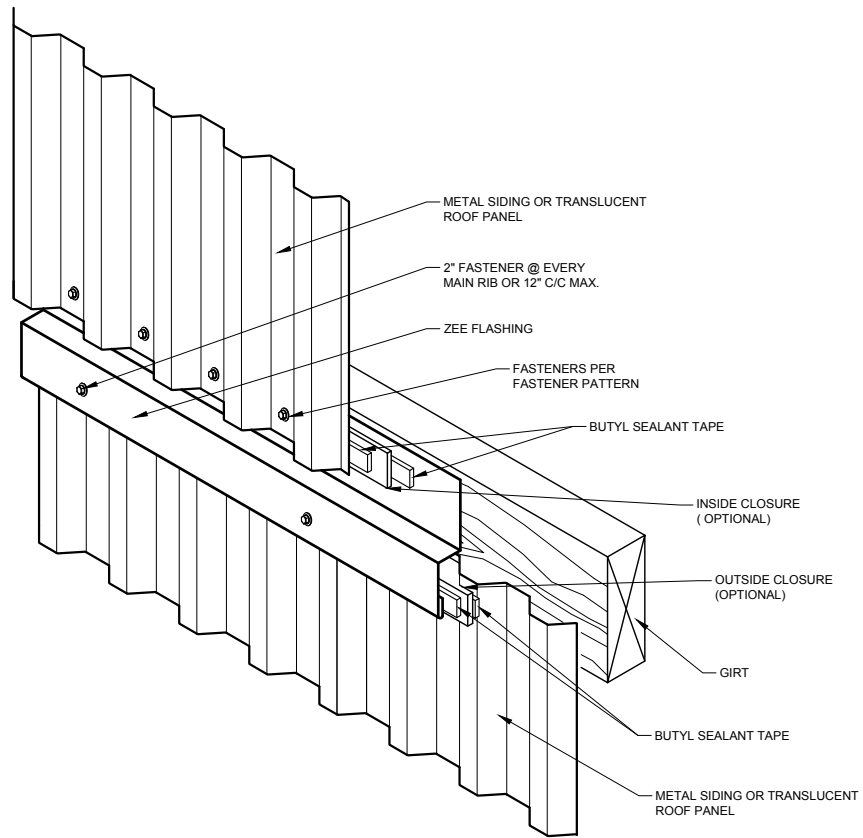
FABRAL, INC.
3449 Hempland Road
Lancaster, PA 17601
800-477-2741

SLIDING DOOR HEADER

HEFTI RIB

Issued:

SEP 2013



FABRAL

Project:

Contractor:

TRANSLUCENT ROOF PANEL

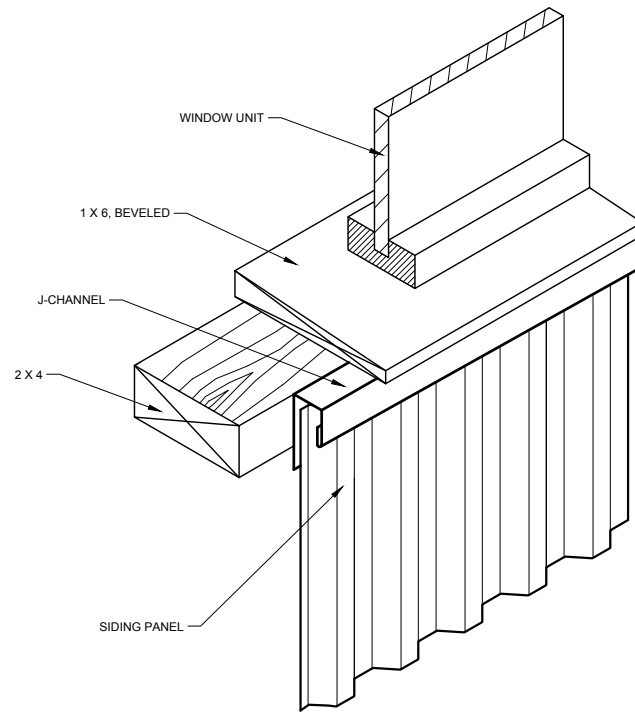
THIS DRAWING IS THE PROPERTY OF FABRAL, INC. THE USE OF THIS DRAWING WITHOUT THE EXPRESS PERMISSION OF FABRAL IS PROHIBITED.

FABRAL, INC.
 3449 Hempland Road
 Lancaster, PA 17601
 800-477-2741

HEFTI RIB

Issued:

SEP 2013



FABRAL®

Project:

Contractor:

THIS DRAWING IS THE
 PROPERTY OF FABRAL,
 INC. THE USE OF THIS
 DRAWING WITHOUT THE
 EXPRESS PERMISSION
 OF FABRAL IS
 PROHIBITED.

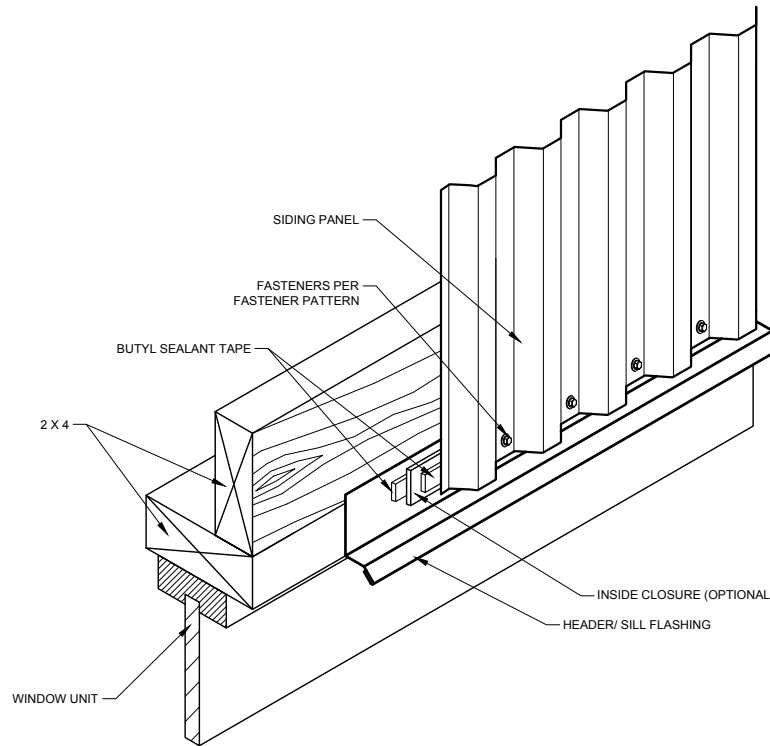
FABRAL, INC.
 3449 Hempland Road
 Lancaster, PA 17601
 800-477-2741

WINDOW SILL

HEFTI RIB

Issued:

SEP 2013



FABRAL®

Project:

Contractor:

THIS DRAWING IS THE
PROPERTY OF FABRAL,
INC. THE USE OF THIS
DRAWING WITHOUT THE
EXPRESS PERMISSION
OF FABRAL IS
PROHIBITED.

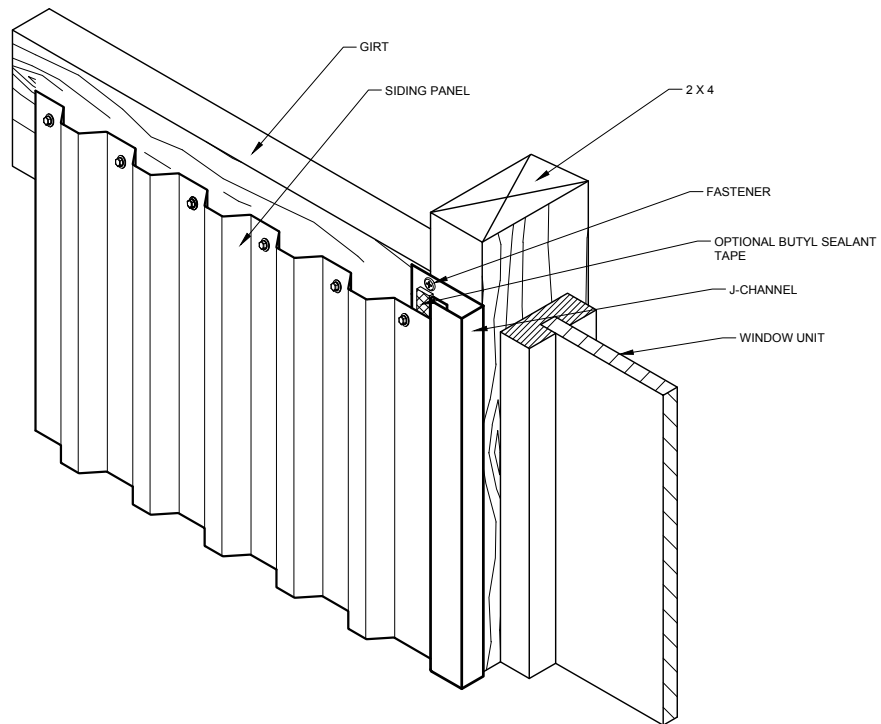
FABRAL, INC.
3449 Hempland Road
Lancaster, PA 17601
800-477-2741

WINDOW HEADER

HEFTI RIB

Issued:

SEP 2013



FABRAL®

Project:

Contractor:

THIS DRAWING IS THE
PROPERTY OF FABRAL,
INC. THE USE OF THIS
DRAWING WITHOUT THE
EXPRESS PERMISSION
OF FABRAL IS
PROHIBITED.

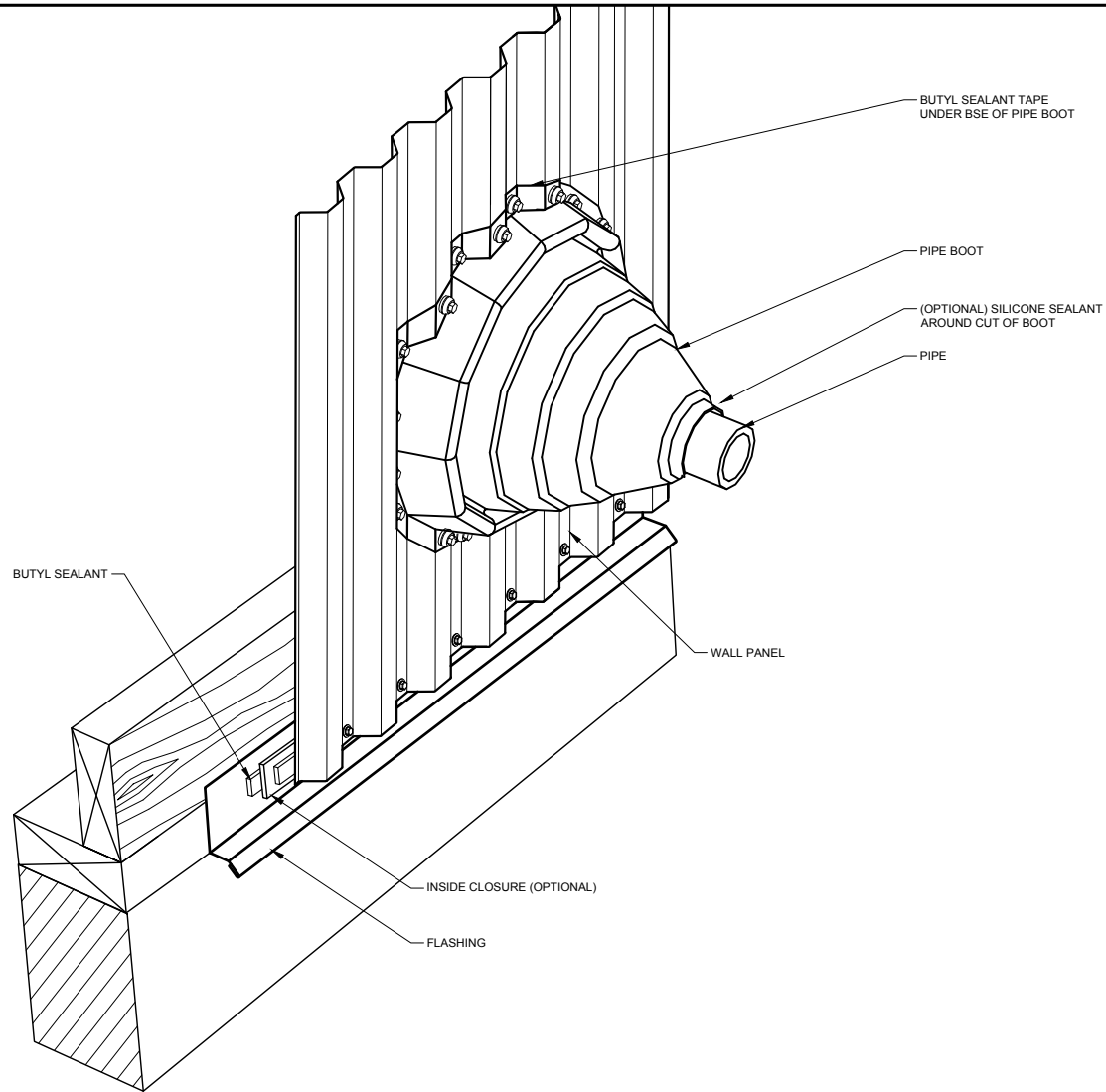
FABRAL, INC.
3449 Hempland Road
Lancaster, PA 17601
800-477-2741

WINDOW JAMB

HEFTI RIB

Issued:

SEP 2013



WALL PIPE BOOTS

FABRAL

Project:

Contractor:

THIS DRAWING IS THE
 PROPERTY OF FABRAL,
 INC. THE USE OF THIS
 DRAWING WITHOUT THE
 EXPRESS PERMISSION
 OF FABRAL IS
 PROHIBITED.

FABRAL, INC.
 3449 Hempland Road
 Lancaster, PA 17601
 800-477-2741

WALL PIPE PENETRATION

HEFTI RIB

Issued:

SEP 2013