

FABRAL

Project: _____

Contractor: _____

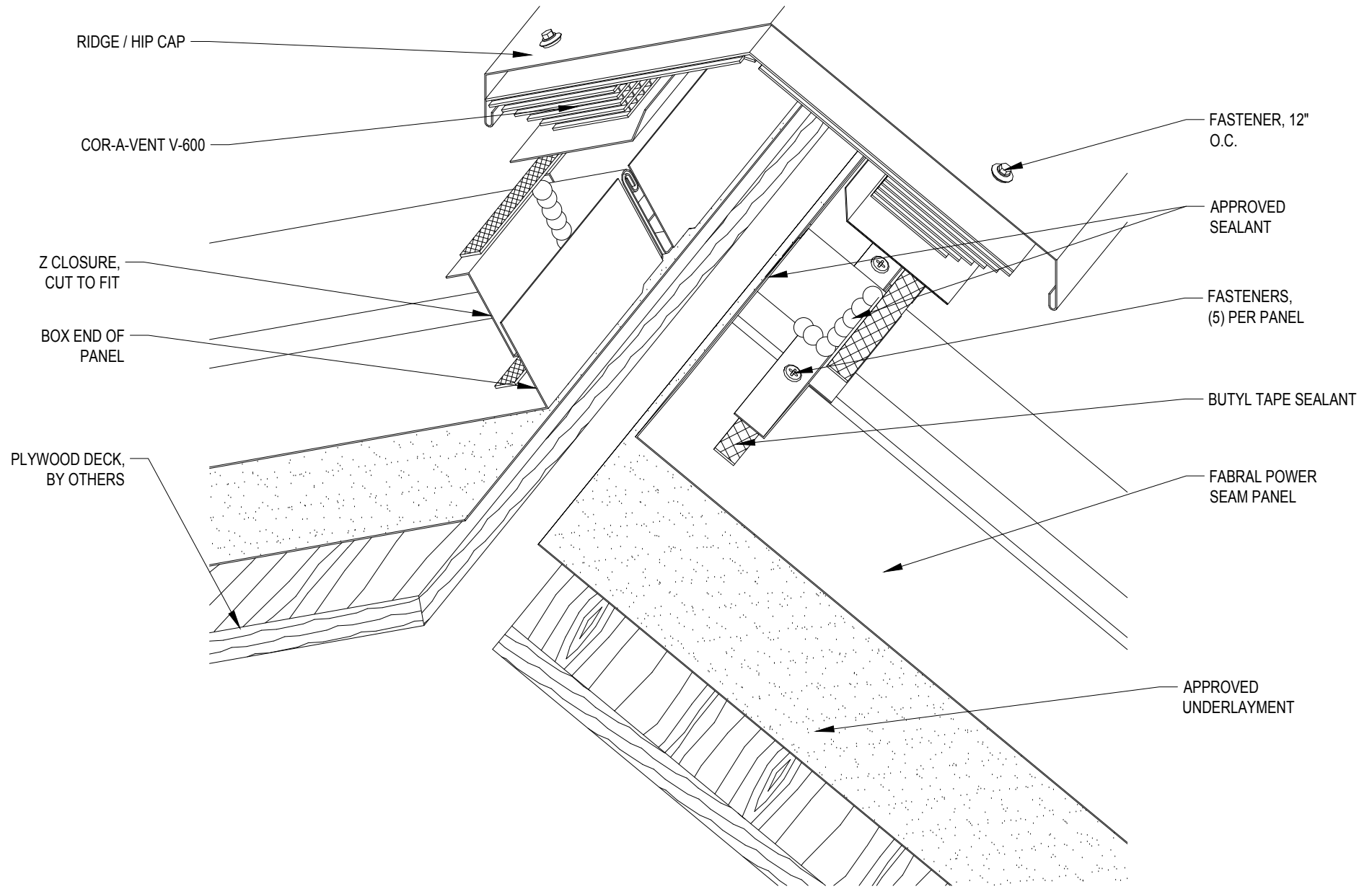
THIS DRAWING IS THE PROPERTY OF FABRAL, INC. THE USE OF THIS DRAWING WITHOUT THE EXPRESS PERMISSION OF FABRAL IS PROHIBITED.

FABRAL, INC.
 3449 Hempland Road
 Lancaster, PA 17601
 800-477-2741

FIXED HIP/RIDGE DETAIL (HR-1)

POWER SEAM

Issued:
 APRIL 2012



FABRAL

Project:

Contractor:

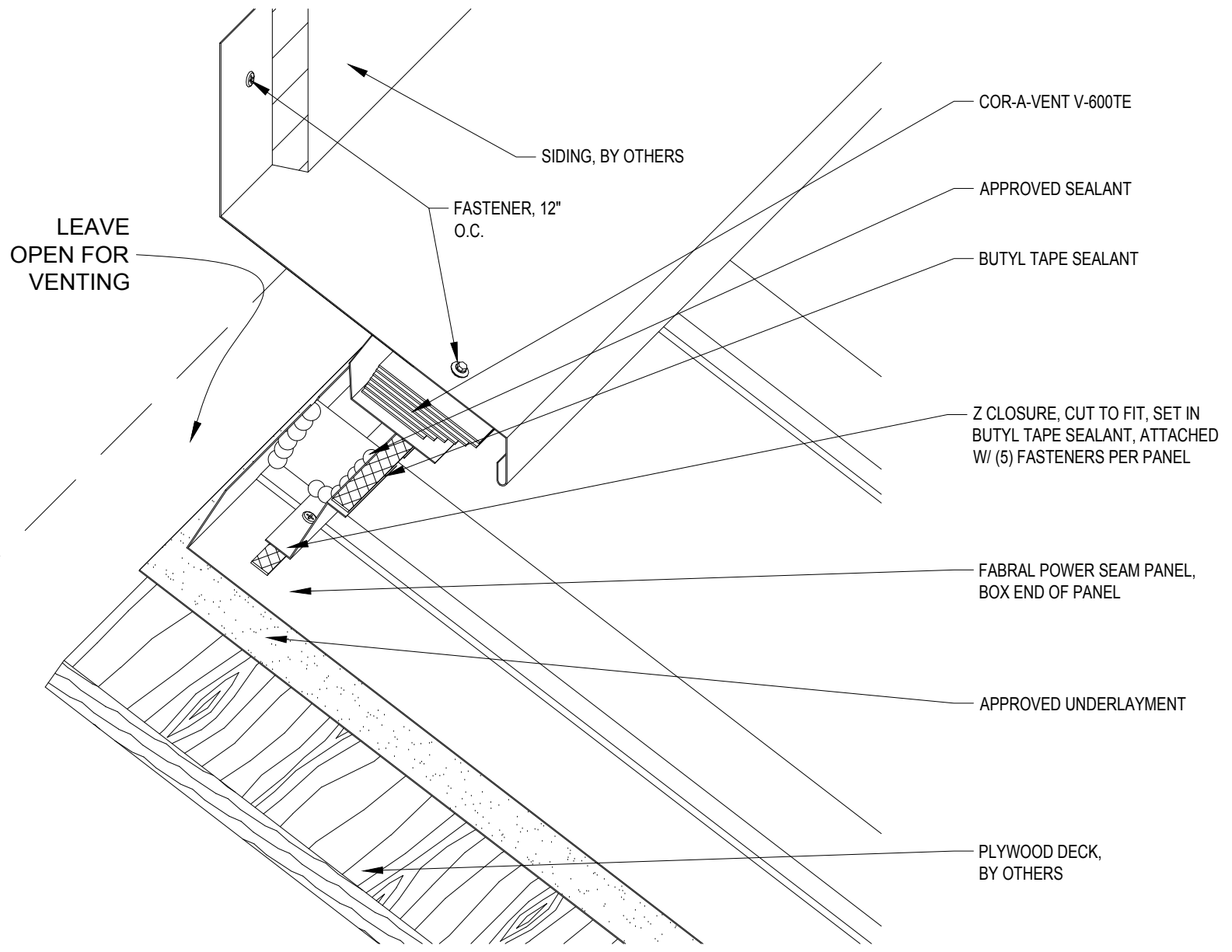
THIS DRAWING IS THE PROPERTY OF FABRAL, INC. THE USE OF THIS DRAWING WITHOUT THE EXPRESS PERMISSION OF FABRAL IS PROHIBITED.

FABRAL, INC.
 3449 Hempland Road
 Lancaster, PA 17601
 800-477-2741

VENTED HIP/RIDGE DETAIL (VHR-1)

POWER SEAM

Issued:
 APRIL 2012



FABRAL

Project:

Contractor:

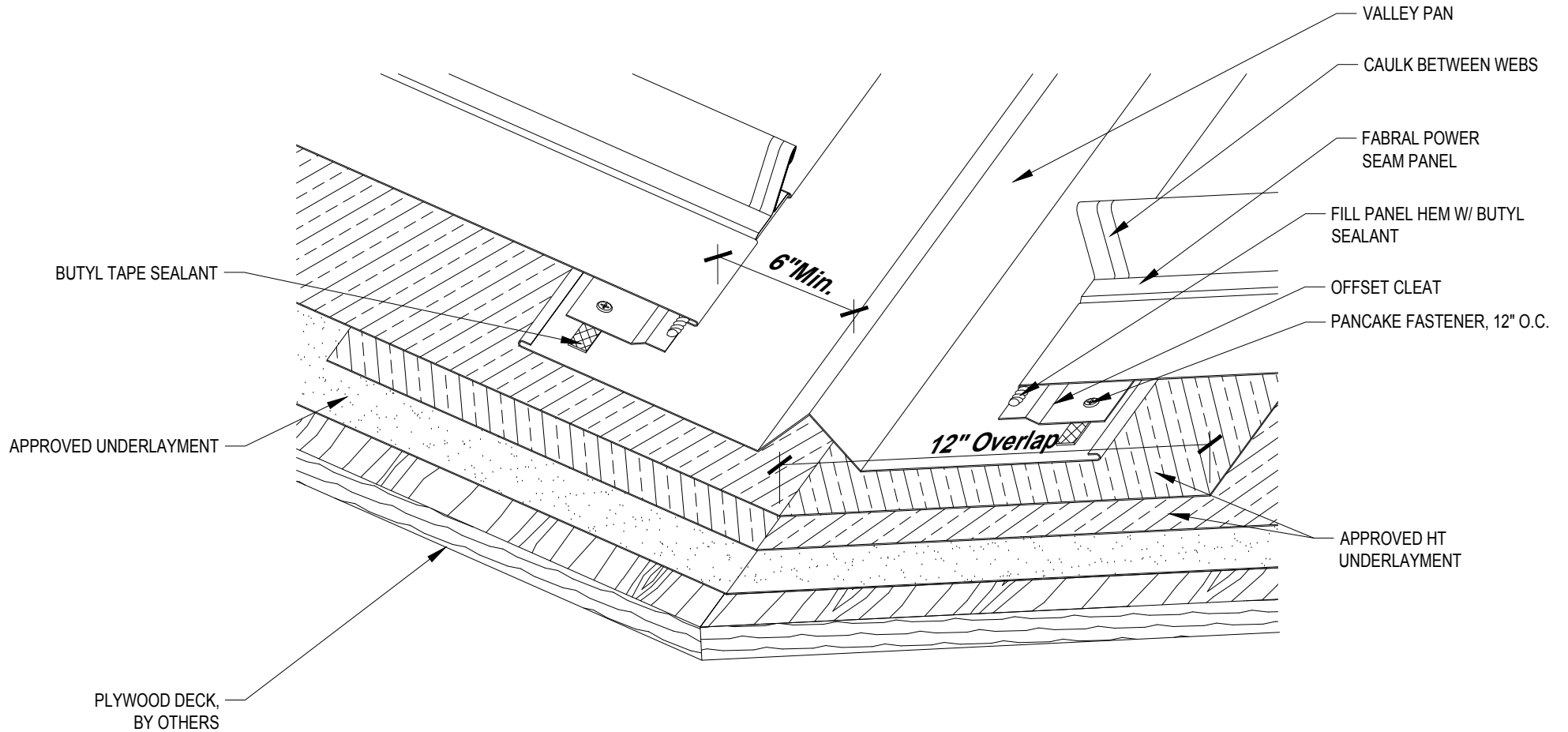
THIS DRAWING IS THE PROPERTY OF FABRAL, INC. THE USE OF THIS DRAWING WITHOUT THE EXPRESS PERMISSION OF FABRAL IS PROHIBITED.

FABRAL, INC.
 3449 Hempland Road
 Lancaster, PA 17601
 800-477-2741

VENTED HEADWALL DETAIL (VHW-1)

POWER SEAM

Issued:
 APRIL 2012



FABRAL

Project:

Contractor:

THIS DRAWING IS THE PROPERTY OF FABRAL, INC. THE USE OF THIS DRAWING WITHOUT THE EXPRESS PERMISSION OF FABRAL IS PROHIBITED.

FABRAL, INC.
 3449 Hempland Road
 Lancaster, PA 17601
 800-477-2741

VALLEY DETAIL (V-1)

POWER SEAM

Issued:

APRIL 2012

FABRAL POWER SEAM
PANEL

VALLEY PAN

CAULK BETWEEN WEBS

FILL PANEL HEM W/ BUTYL
SEALANT

PANCAKE FASTENER,
12" O.C.

PLYWOOD DECK,
BY OTHERS

APPROVED HT
UNDERLAYMENT

APPROVED
UNDERLAYMENT

6" Min.

12" Overlap

FABRAL

Project:

Contractor:

THIS DRAWING IS THE
PROPERTY OF FABRAL,
INC. THE USE OF THIS
DRAWING WITHOUT THE
EXPRESS PERMISSION OF
FABRAL IS PROHIBITED.

FABRAL, INC.
3449 Hempland Road
Lancaster, PA 17601
800-477-2741

VALLEY DETAIL (V-2)

POWER SEAM

Issued:
APRIL 2012

APPROVED UNDERLAYMENT, TURN DOWN VERTICALLY 3" MIN.

PLYWOOD DECK, BY OTHERS

FASCIA BOARD, BY OTHERS

FASCIA WRAP, OPTIONAL

FABRAL POWER SEAM PANEL

CAULK BETWEEN WEBS

PANCAKE FASTENER, 12" O.C.

BUTYL TAPE SEALANT (ONLY REQ'D FOR SLOPES 2:12 OR LESS)

EAVE FLASHING

FASTENER, 12" O.C.

CLEAT

GUTTER

STRAP / HANGER

FABRAL

Project:

Contractor:

THIS DRAWING IS THE PROPERTY OF FABRAL, INC. THE USE OF THIS DRAWING WITHOUT THE EXPRESS PERMISSION OF FABRAL IS PROHIBITED.

FABRAL, INC.
3449 Hempland Road
Lancaster, PA 17601
800-477-2741

SLIDING EAVE W/ GUTTER DETAIL (EG-1)

POWER SEAM

Issued:

APRIL 2012

APPROVED
UNDERLAYMENT, TURN
DOWN VERTICALLY 3" MIN.

FABRAL POWER SEAM
PANEL

PLYWOOD DECK, BY
OTHERS

CAULK BETWEEN WEBS

BUTYL TAPE SEALANT (ONLY
REQ'D FOR SLOPES 2:12 OR LESS)

FASCIA BOARD,
BY OTHERS

PANCAKE FASTENER, 12" O.C.

EAVE FLASHING

FASTENER, 12" O.C.

FASCIA WRAP,
OPTIONAL

CLEAT

FABRAL

Project:

Contractor:

THIS DRAWING IS THE
PROPERTY OF FABRAL,
INC. THE USE OF THIS
DRAWING WITHOUT THE
EXPRESS PERMISSION OF
FABRAL IS PROHIBITED.

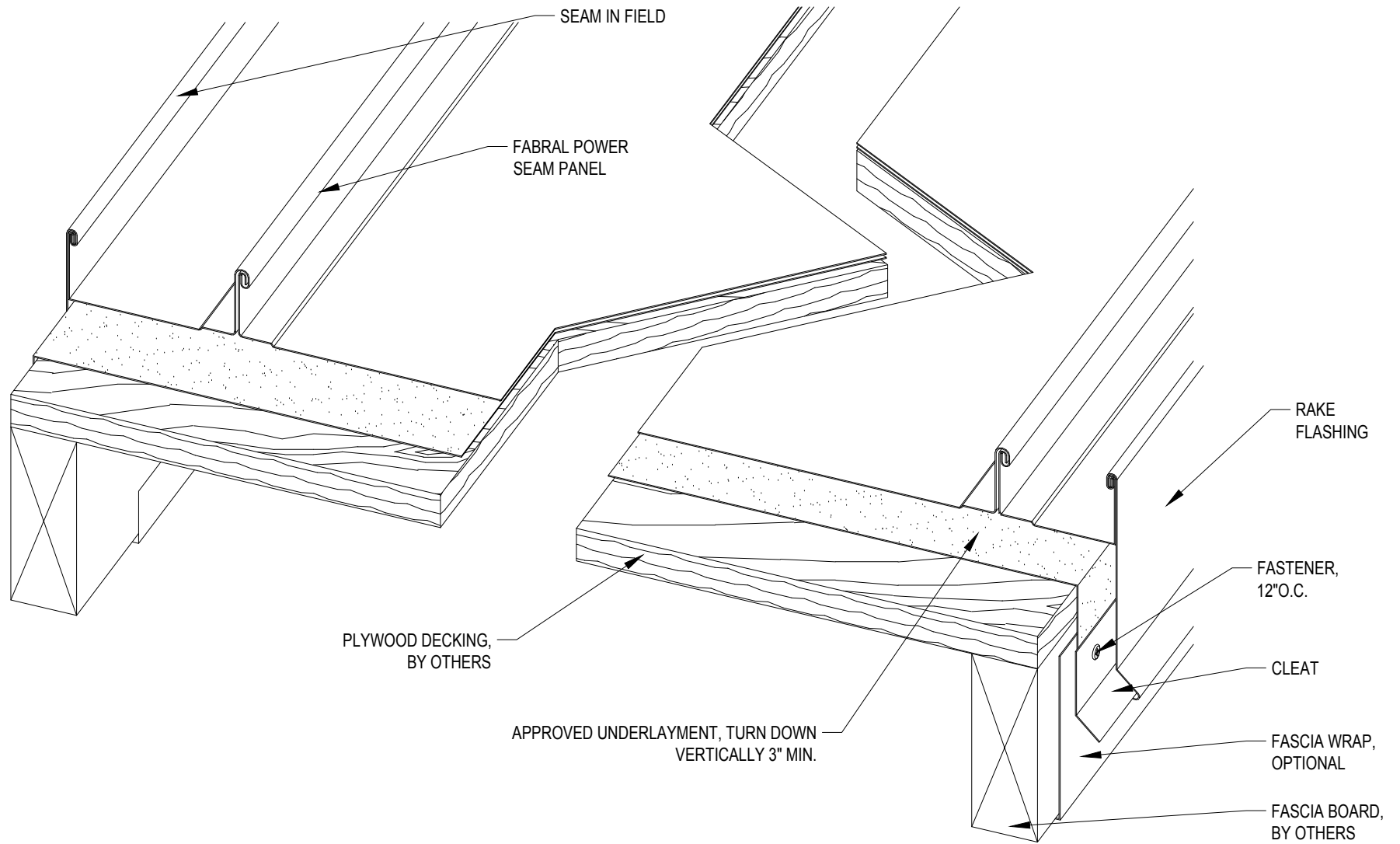
FABRAL, INC.
3449 Hempland Road
Lancaster, PA 17601
800-477-2741

SLIDING EAVE DETAIL (E-1)

POWER SEAM

Issued:

APRIL 2012



FABRAL

Project:

Contractor:

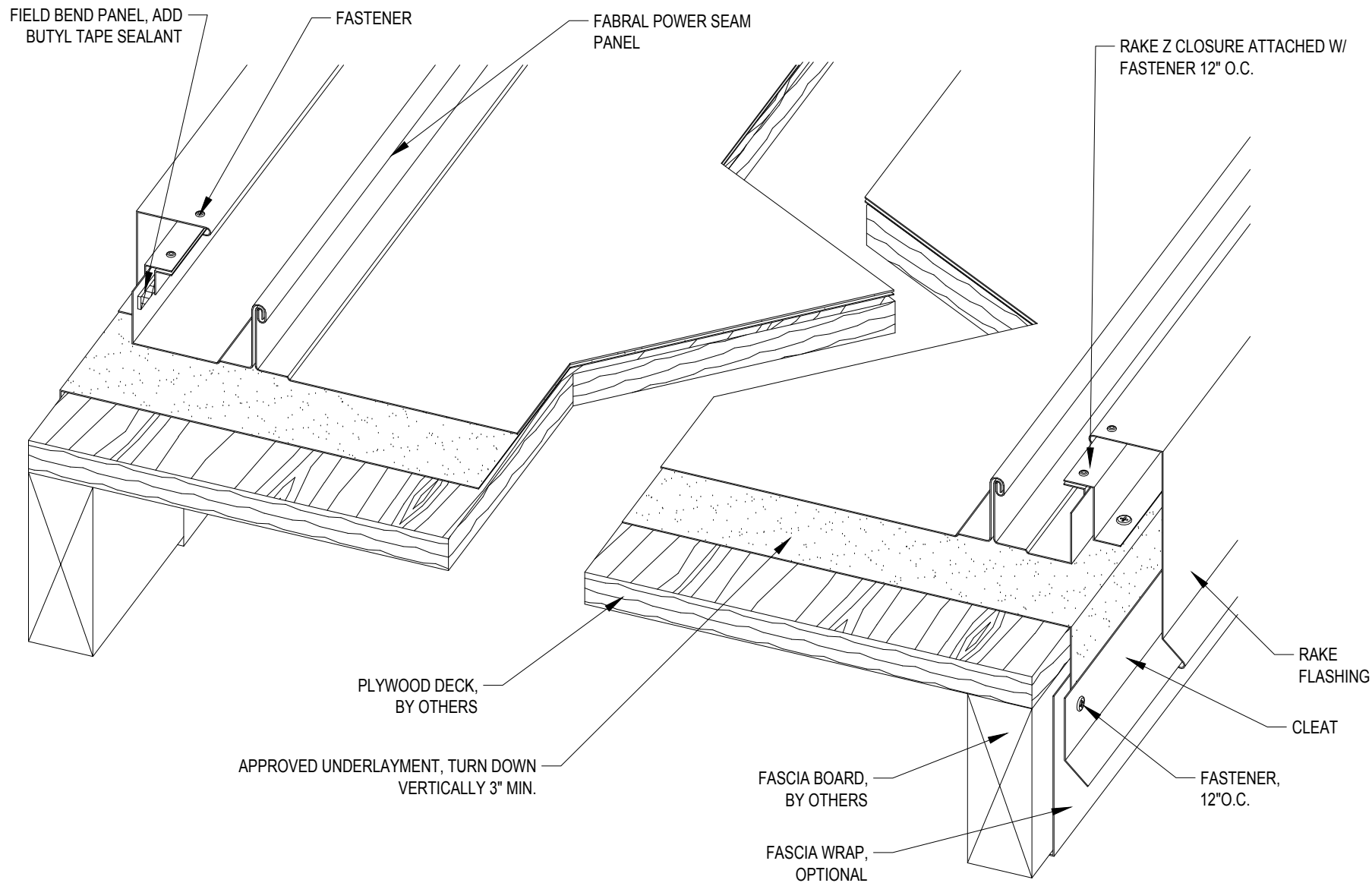
THIS DRAWING IS THE PROPERTY OF FABRAL, INC. THE USE OF THIS DRAWING WITHOUT THE EXPRESS PERMISSION OF FABRAL IS PROHIBITED.

FABRAL, INC.
 3449 Hempland Road
 Lancaster, PA 17601
 800-477-2741

SLIDING GABLE DETAIL (G-1)

POWER SEAM

Issued:
 APRIL 2012



FABRAL

Project:

Contractor:

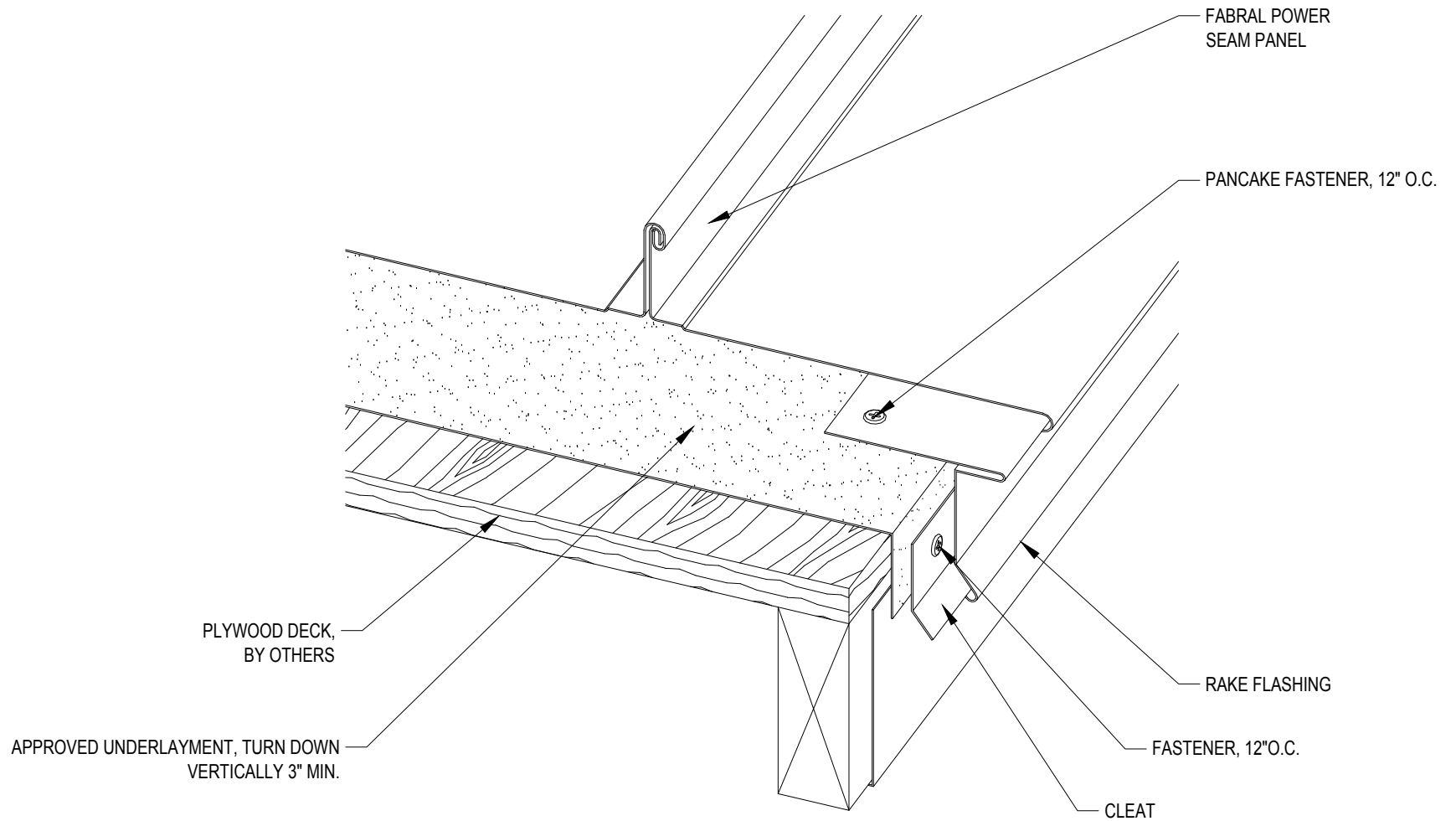
THIS DRAWING IS THE PROPERTY OF FABRAL, INC. THE USE OF THIS DRAWING WITHOUT THE EXPRESS PERMISSION OF FABRAL IS PROHIBITED.

FABRAL, INC.
 3449 Hempland Road
 Lancaster, PA 17601
 800-477-2741

SLIDING GABLE DETAIL (G-2)

POWER SEAM

Issued:
 APRIL 2012



FABRAL

Project:

Contractor:

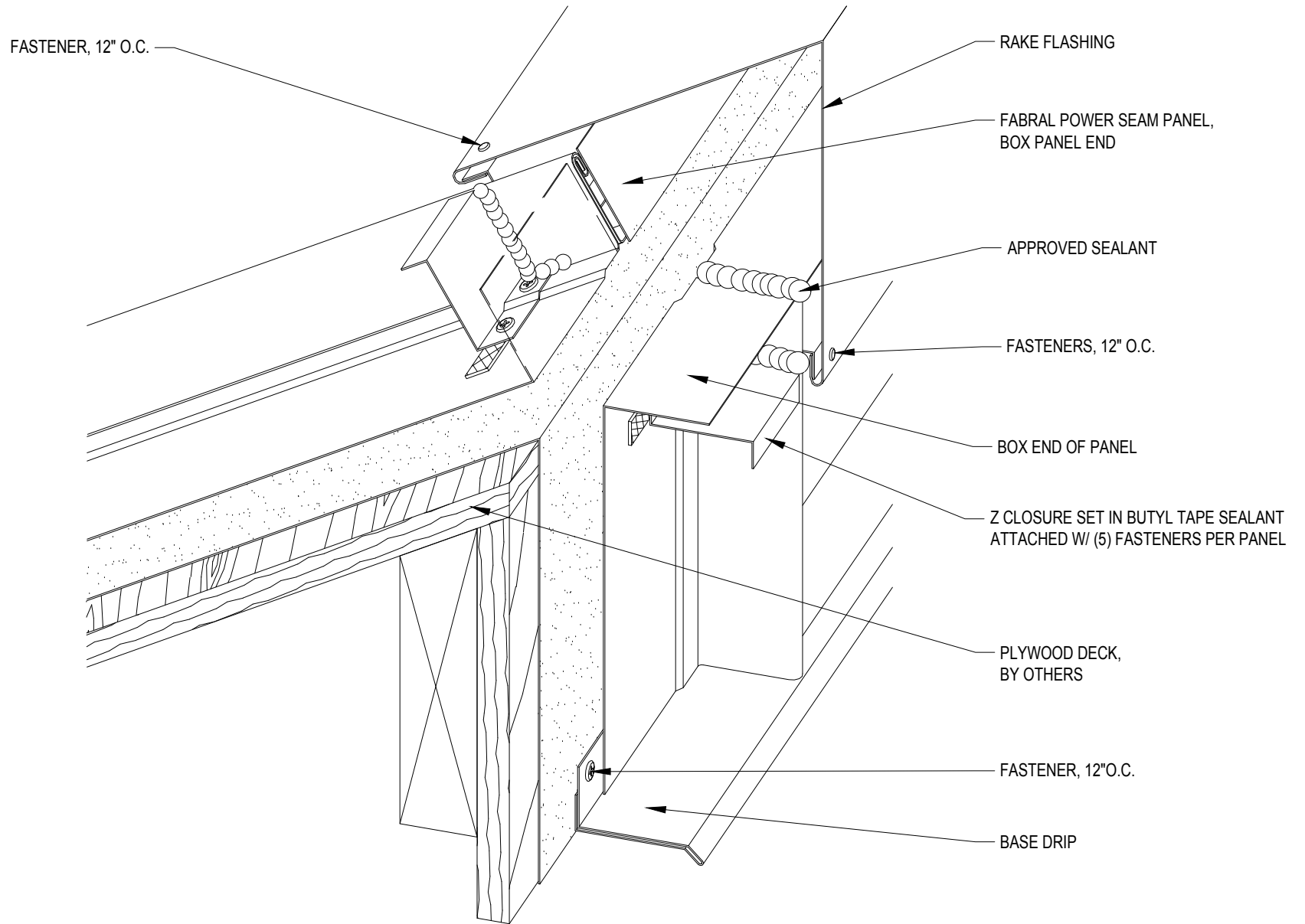
THIS DRAWING IS THE PROPERTY OF FABRAL, INC. THE USE OF THIS DRAWING WITHOUT THE EXPRESS PERMISSION OF FABRAL IS PROHIBITED.

FABRAL, INC.
 3449 Hempland Road
 Lancaster, PA 17601
 800-477-2741

SLIDING GABLE DETAIL (G-3)

POWER SEAM

Issued:
 APRIL 2012



FABRAL

Project:

Contractor:

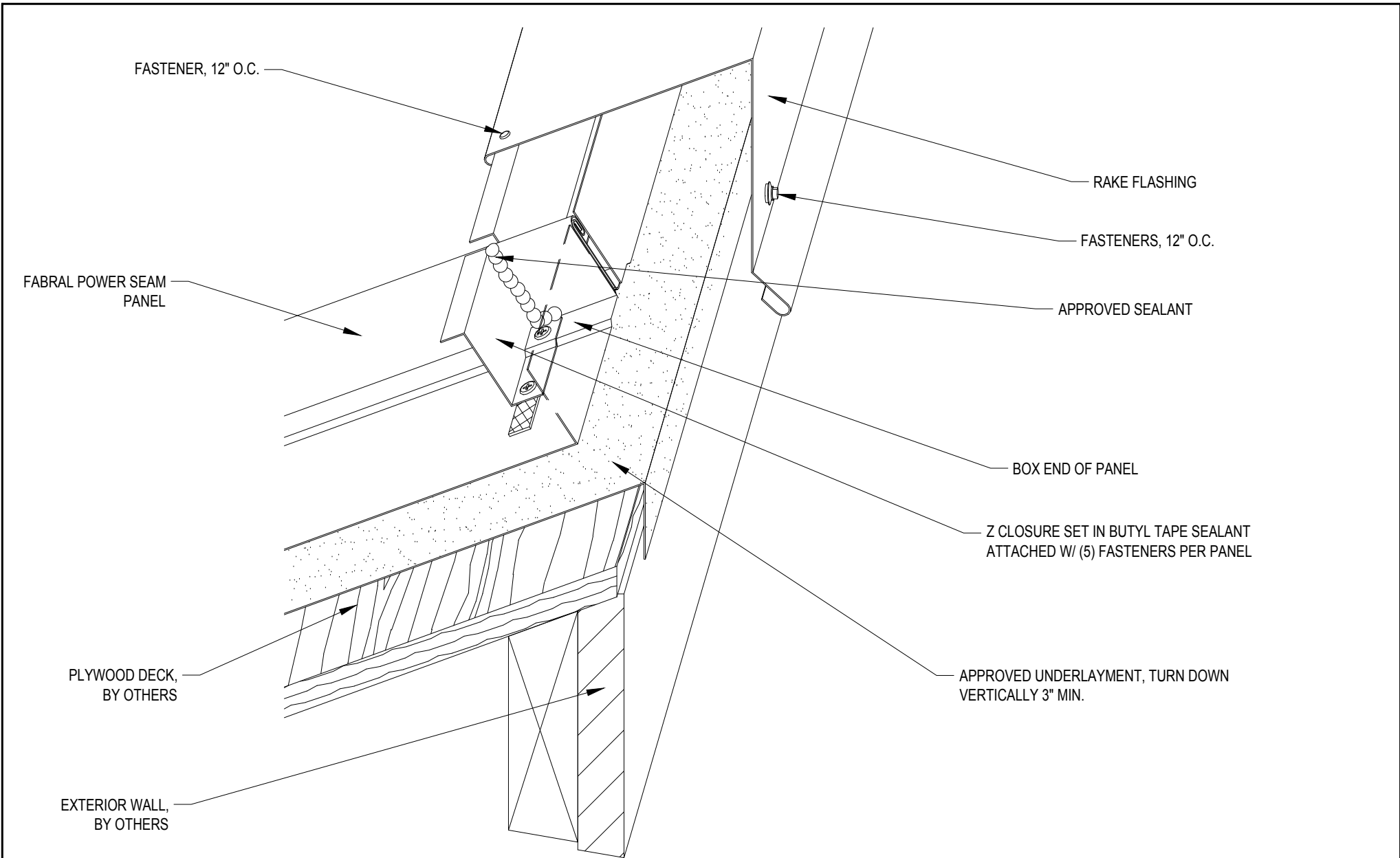
THIS DRAWING IS THE PROPERTY OF FABRAL, INC. THE USE OF THIS DRAWING WITHOUT THE EXPRESS PERMISSION OF FABRAL IS PROHIBITED.

FABRAL, INC.
 3449 Hempland Road
 Lancaster, PA 17601
 800-477-2741

HIGH SIDE EAVE DETAIL (HSE-1)

POWER SEAM

Issued:
 APRIL 2012



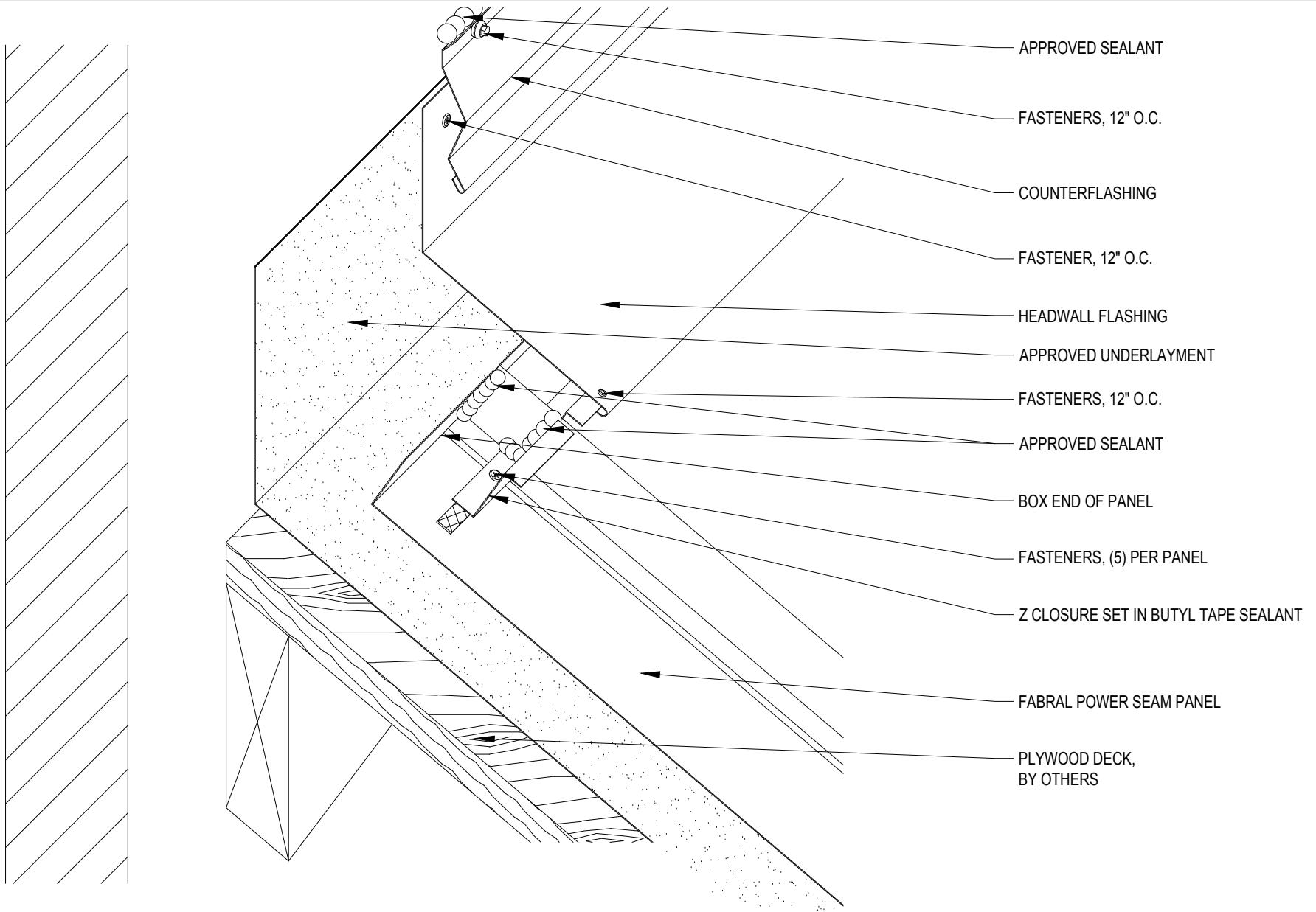
FABRAL

Project:
 Contractor:
HIGH SIDE EAVE DETAIL (HSE-2)

THIS DRAWING IS THE PROPERTY OF FABRAL, INC. THE USE OF THIS DRAWING WITHOUT THE EXPRESS PERMISSION OF FABRAL IS PROHIBITED.

FABRAL, INC.
 3449 Hempland Road
 Lancaster, PA 17601
 800-477-2741
 Issued:
 APRIL 2012

POWER SEAM



FABRAL

Project:

Contractor:

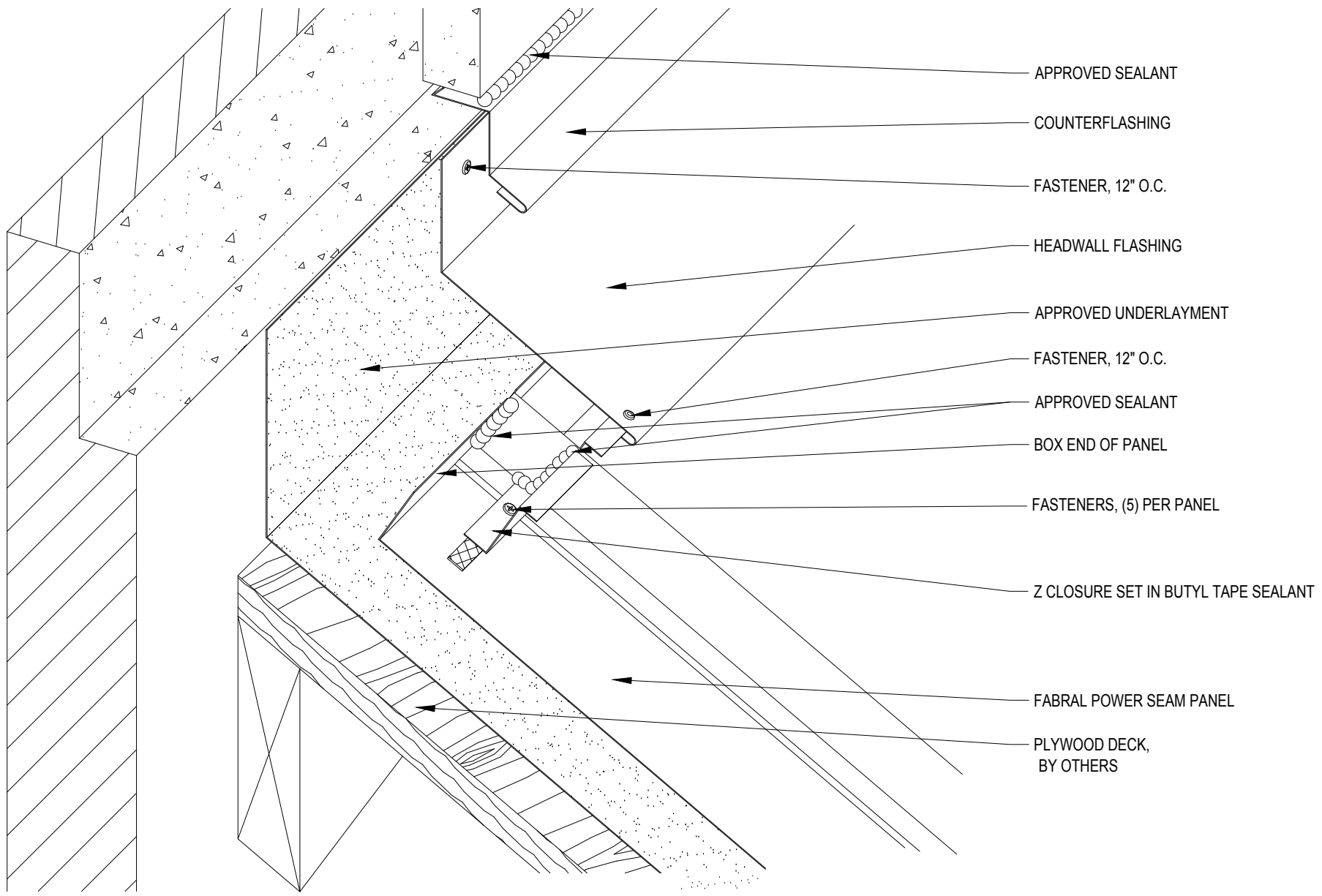
THIS DRAWING IS THE PROPERTY OF FABRAL, INC. THE USE OF THIS DRAWING WITHOUT THE EXPRESS PERMISSION OF FABRAL IS PROHIBITED.

FABRAL, INC.
 3449 Hempland Road
 Lancaster, PA 17601
 800-477-2741

HEADWALL DETAIL (HW-1)

POWER SEAM

Issued:
 APRIL 2012



FABRAL

Project:

Contractor:

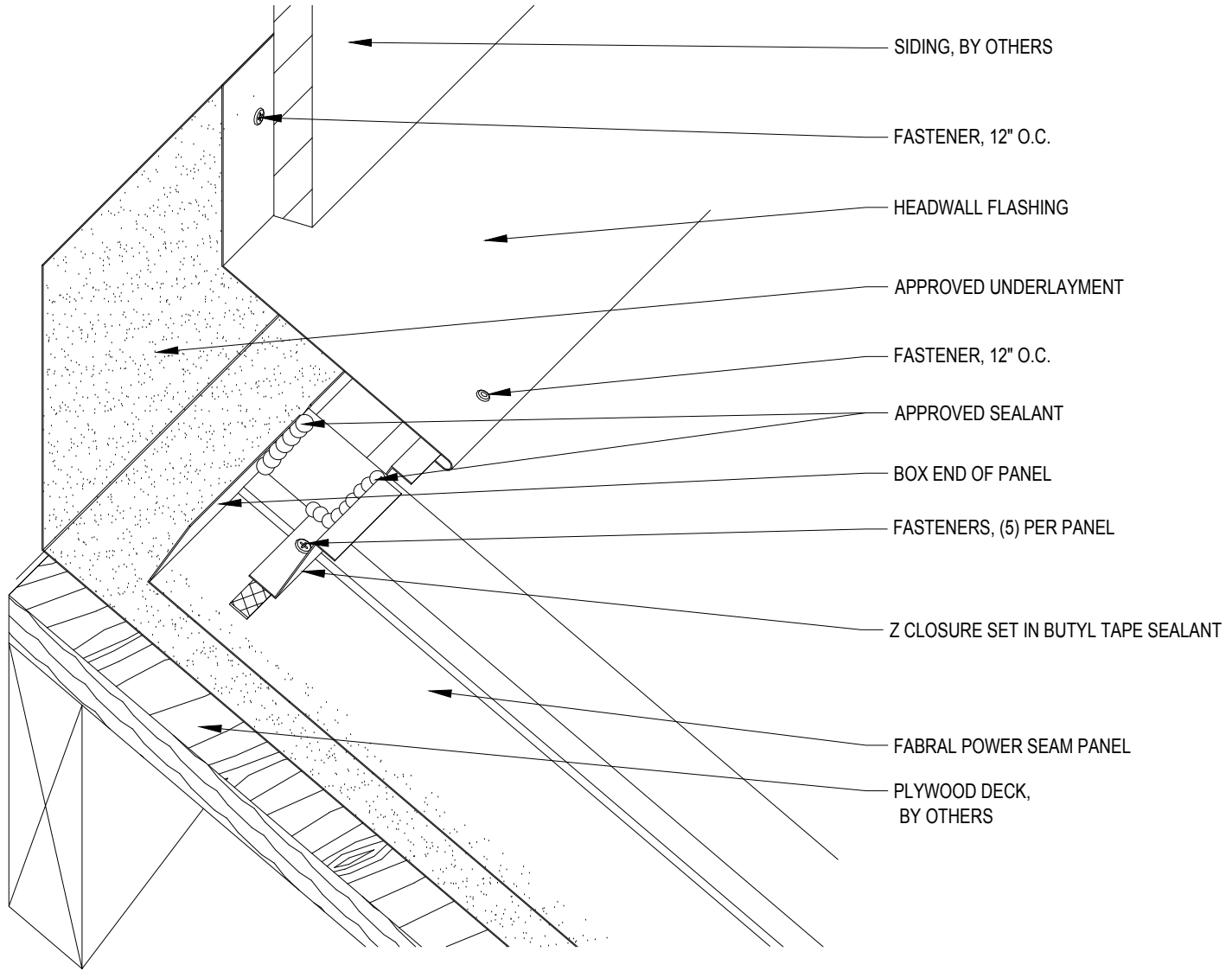
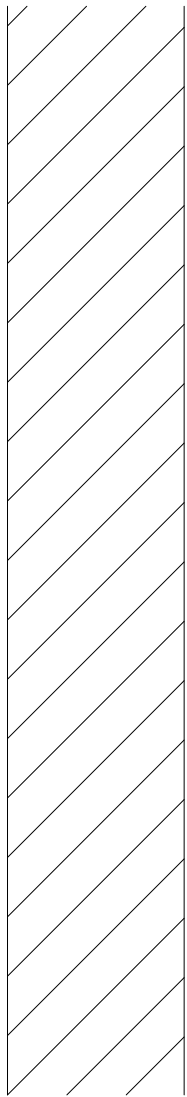
THIS DRAWING IS THE PROPERTY OF FABRAL, INC. THE USE OF THIS DRAWING WITHOUT THE EXPRESS PERMISSION OF FABRAL IS PROHIBITED.

FABRAL, INC.
 3449 Hempland Road
 Lancaster, PA 17601
 800-477-2741

HEADWALL DETAIL (HW-2)

POWER SEAM

Issued:
 APRIL 2012



FABRAL

Project:

Contractor:

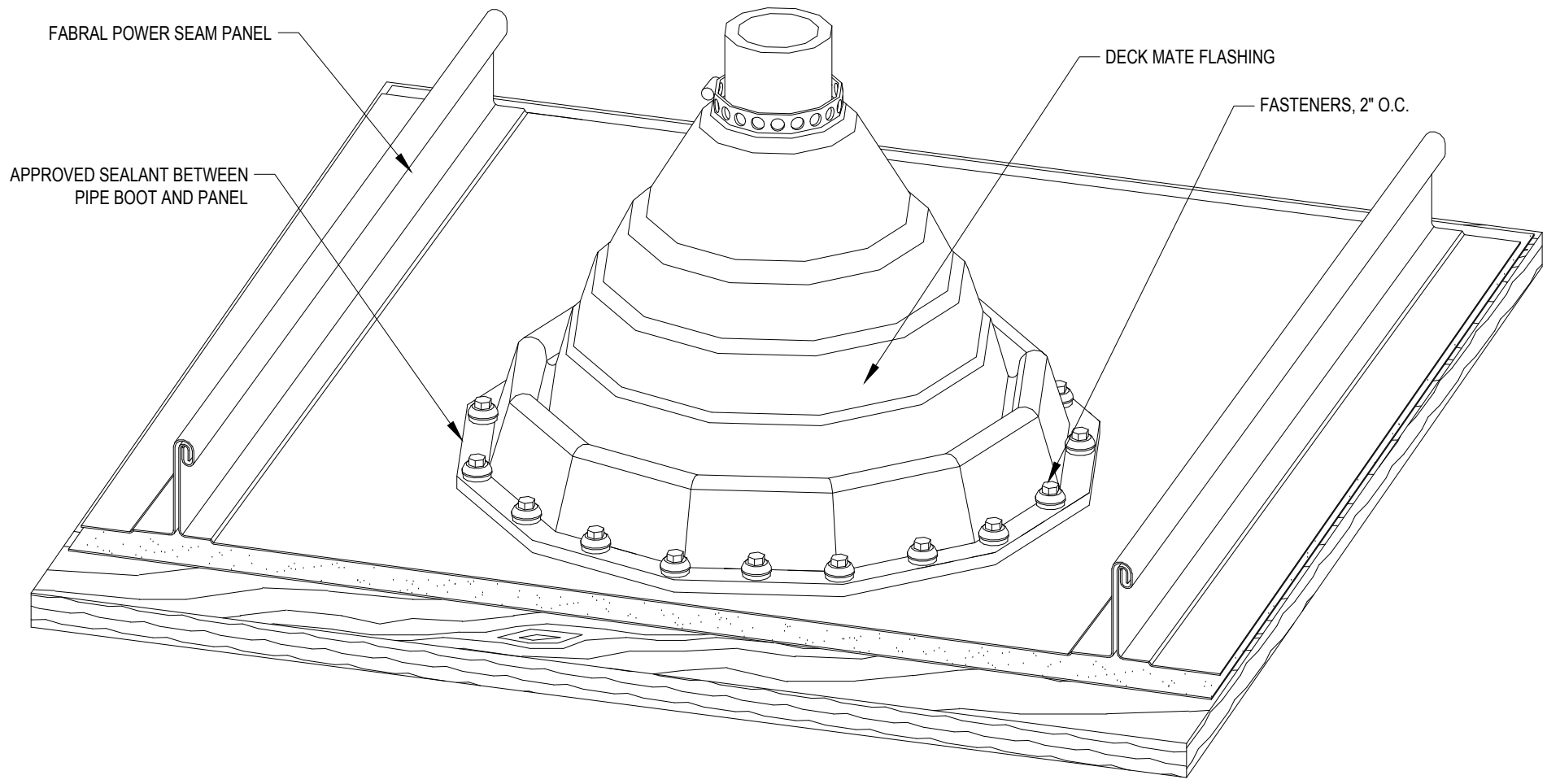
THIS DRAWING IS THE PROPERTY OF FABRAL, INC. THE USE OF THIS DRAWING WITHOUT THE EXPRESS PERMISSION OF FABRAL IS PROHIBITED.

FABRAL, INC.
 3449 Hempland Road
 Lancaster, PA 17601
 800-477-2741

HEADWALL DETAIL (HW-3)

POWER SEAM

Issued:
 APRIL 2012



FABRAL

Project:

Contractor:

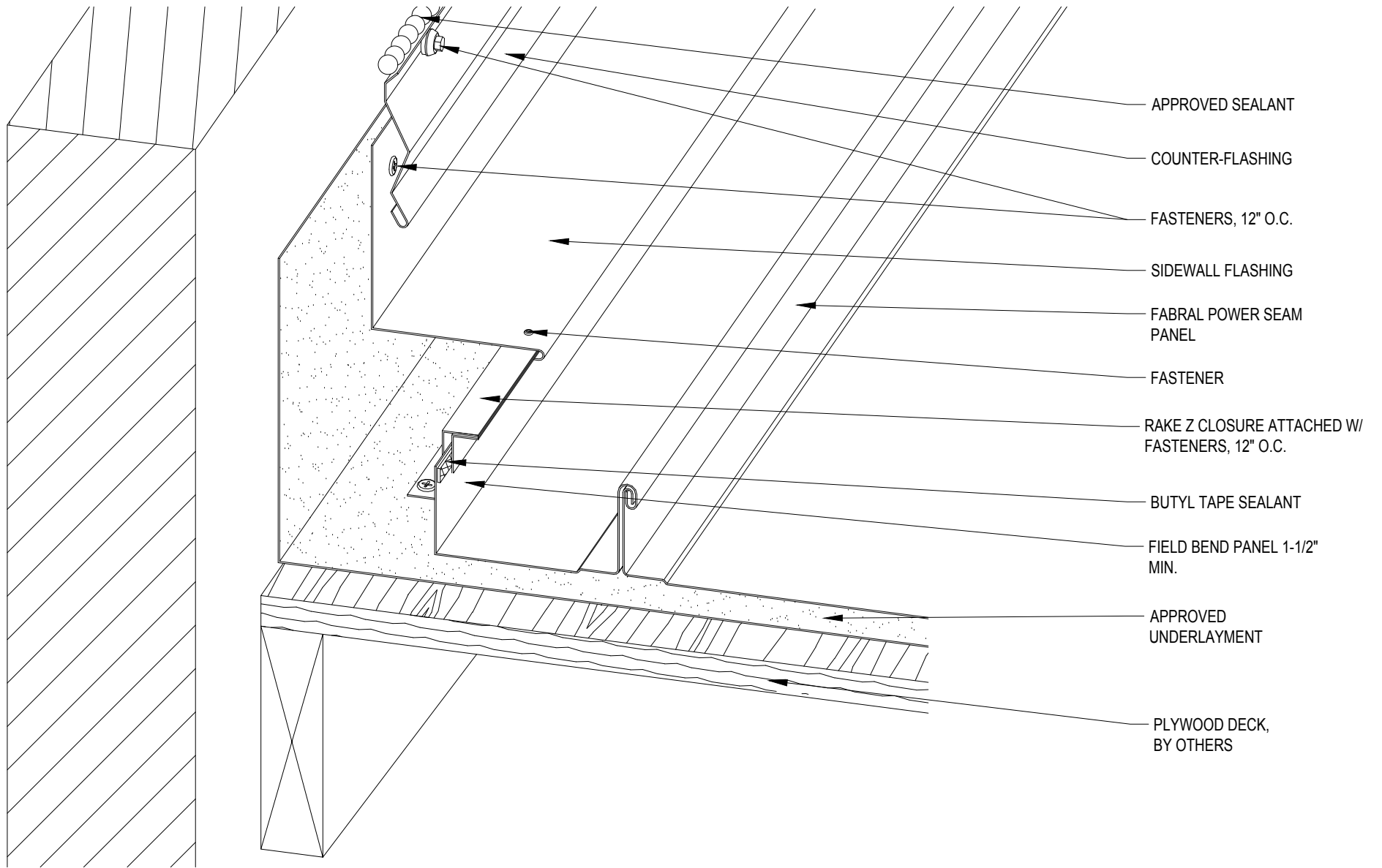
THIS DRAWING IS THE PROPERTY OF FABRAL, INC. THE USE OF THIS DRAWING WITHOUT THE EXPRESS PERMISSION OF FABRAL IS PROHIBITED.

FABRAL, INC.
 3449 Hempland Road
 Lancaster, PA 17601
 800-477-2741

PENETRATION DETAIL (P-1)

POWER SEAM

Issued:
 APRIL 2012



FABRAL

Project:

Contractor:

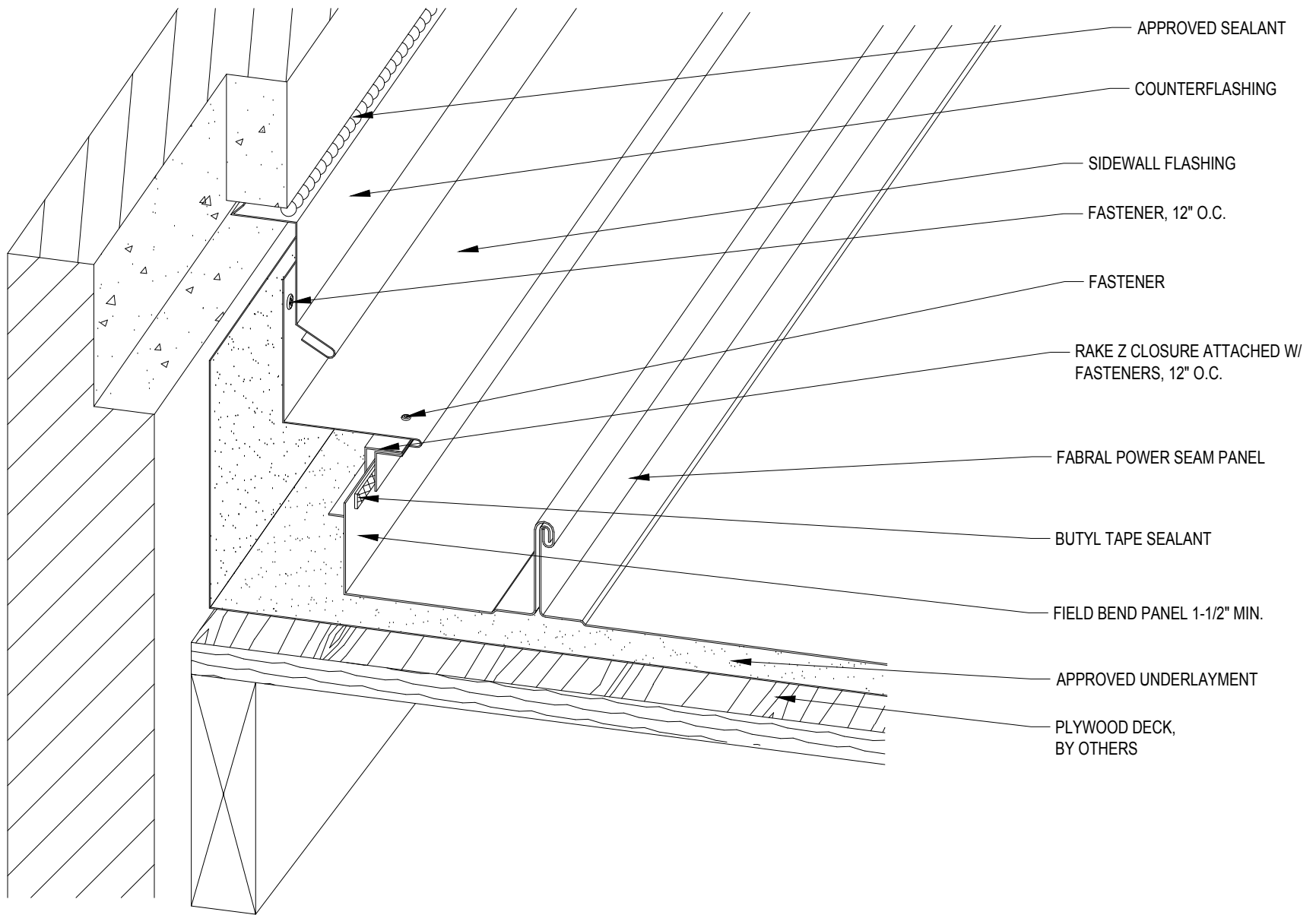
THIS DRAWING IS THE PROPERTY OF FABRAL, INC. THE USE OF THIS DRAWING WITHOUT THE EXPRESS PERMISSION OF FABRAL IS PROHIBITED.

FABRAL, INC.
 3449 Hempland Road
 Lancaster, PA 17601
 800-477-2741

SIDEWALL DETAIL (SW-1)

POWER SEAM

Issued:
 APRIL 2012



FABRAL

Project:
Contractor:

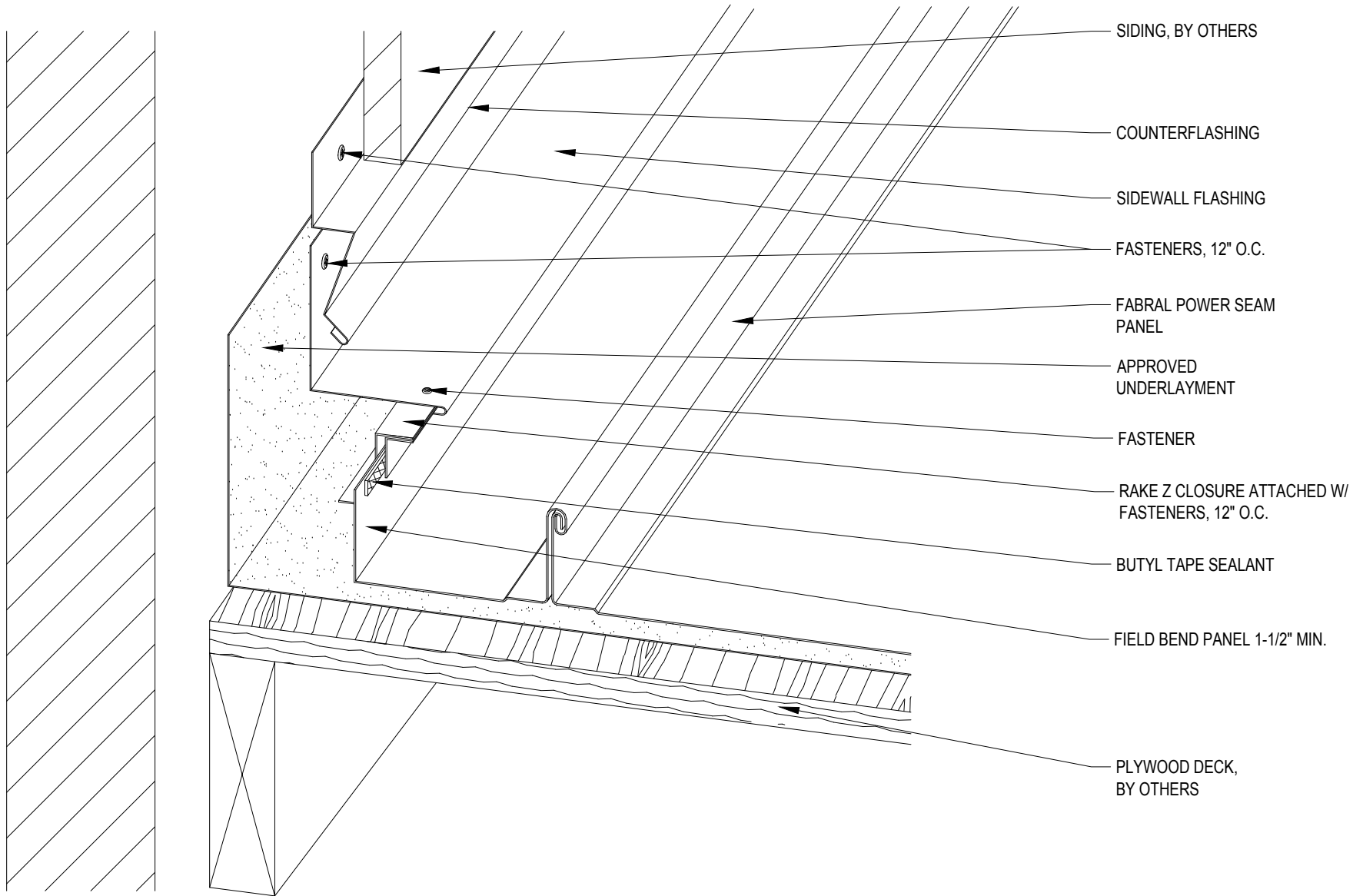
THIS DRAWING IS THE PROPERTY OF FABRAL, INC. THE USE OF THIS DRAWING WITHOUT THE EXPRESS PERMISSION OF FABRAL IS PROHIBITED.

FABRAL, INC.
3449 Hempland Road
Lancaster, PA 17601
800-477-2741

SIDEWALL DETAIL (SW-2)

POWER SEAM

Issued:
APRIL 2012



FABRAL

Project:

Contractor:

THIS DRAWING IS THE PROPERTY OF FABRAL, INC. THE USE OF THIS DRAWING WITHOUT THE EXPRESS PERMISSION OF FABRAL IS PROHIBITED.

FABRAL, INC.
 3449 Hempland Road
 Lancaster, PA 17601
 800-477-2741

SIDEWALL DETAIL (SW-3)

POWER SEAM

Issued:
 APRIL 2012

APPROVED
UNDERLAYMENT, TURN
DOWN VERTICALLY 3" MIN.

PLYWOOD DECK, BY
OTHERS

FABRAL POWER SEAM
PANEL

CAULK BETWEEN WEBS

BUTYL TAPE SEALANT (ONLY
REQ'D FOR SLOPES 2:12 OR LESS)

PANCAKE FASTENER, 12" O.C.

EAVE FLASHING

FASTENER, 12" O.C.

CLEAT

FASCIA WRAP,
OPTIONAL

FASCIA BOARD,
BY OTHERS

FABRAL

Project:

Contractor:

THIS DRAWING IS THE
PROPERTY OF FABRAL,
INC. THE USE OF THIS
DRAWING WITHOUT THE
EXPRESS PERMISSION OF
FABRAL IS PROHIBITED.

FABRAL, INC.
3449 Hempland Road
Lancaster, PA 17601
800-477-2741

FIXED EAVE DETAIL (FE-1)

POWER SEAM

Issued:

APRIL 2012

APPROVED
UNDERLAYMENT, TURN
DOWN VERTICALLY 3" MIN.

FABRAL POWER SEAM
PANEL

PLYWOOD DECK, BY
OTHERS

CAULK BETWEEN WEBS

BUTYL TAPE SEALANT (ONLY
REQ'D FOR SLOPES 2:12 OR LESS)

PANCAKE FASTENER,
12" O.C.

BUTYL TAPE SEALANT

EAVE FLASHING

FASTENER, 12" O.C.

CLEAT

FASCIA WRAP,
OPTIONAL

FASCIA BOARD,
BY OTHERS

FABRAL

Project:

Contractor:

THIS DRAWING IS THE
PROPERTY OF FABRAL,
INC. THE USE OF THIS
DRAWING WITHOUT THE
EXPRESS PERMISSION OF
FABRAL IS PROHIBITED.

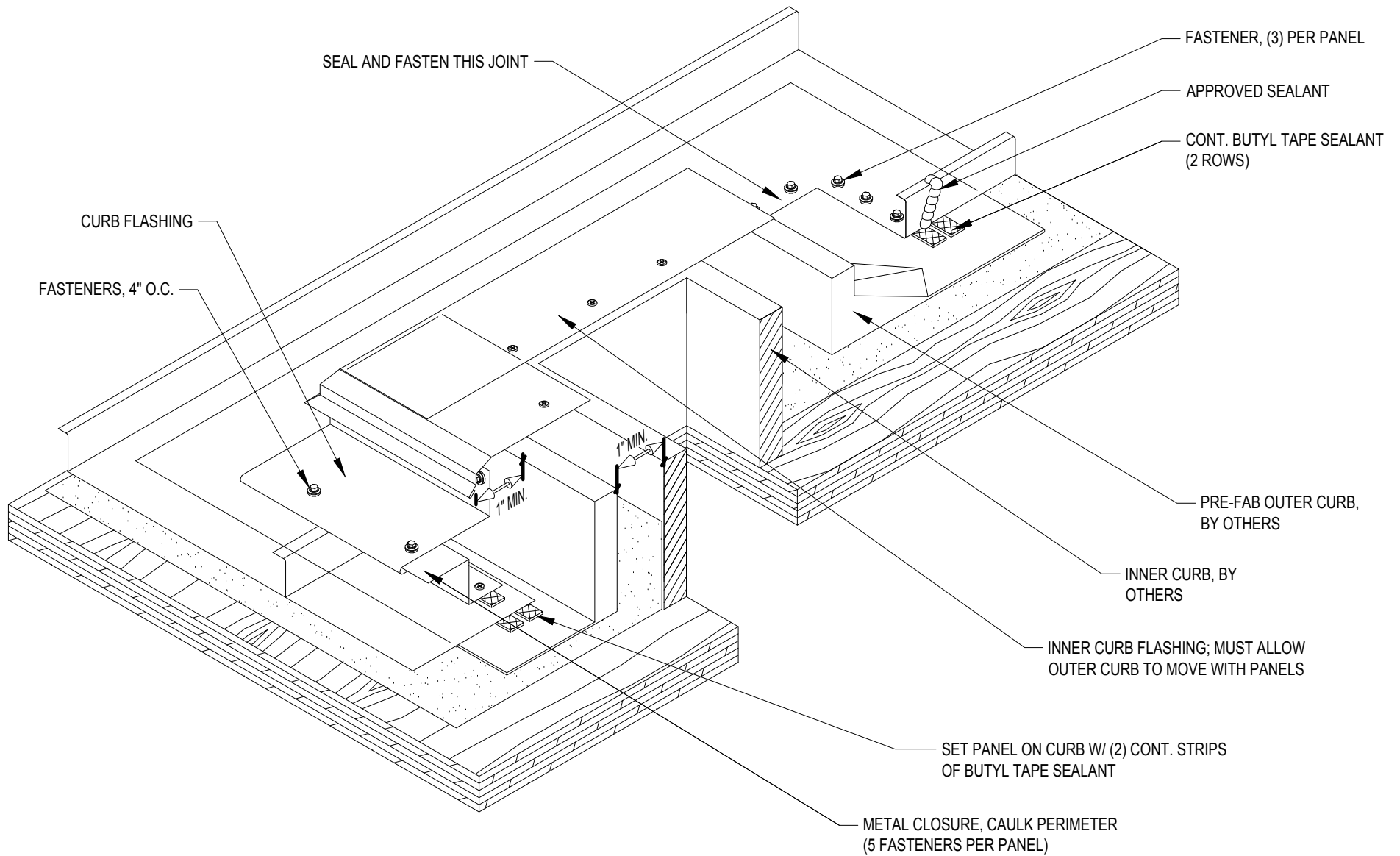
FABRAL, INC.
3449 Hempland Road
Lancaster, PA 17601
800-477-2741

SLIDING EAVE DETAIL (E-2)

POWER SEAM

Issued:

APRIL 2012



FABRAL

Project:

Contractor:

THIS DRAWING IS THE PROPERTY OF FABRAL, INC. THE USE OF THIS DRAWING WITHOUT THE EXPRESS PERMISSION OF FABRAL IS PROHIBITED.

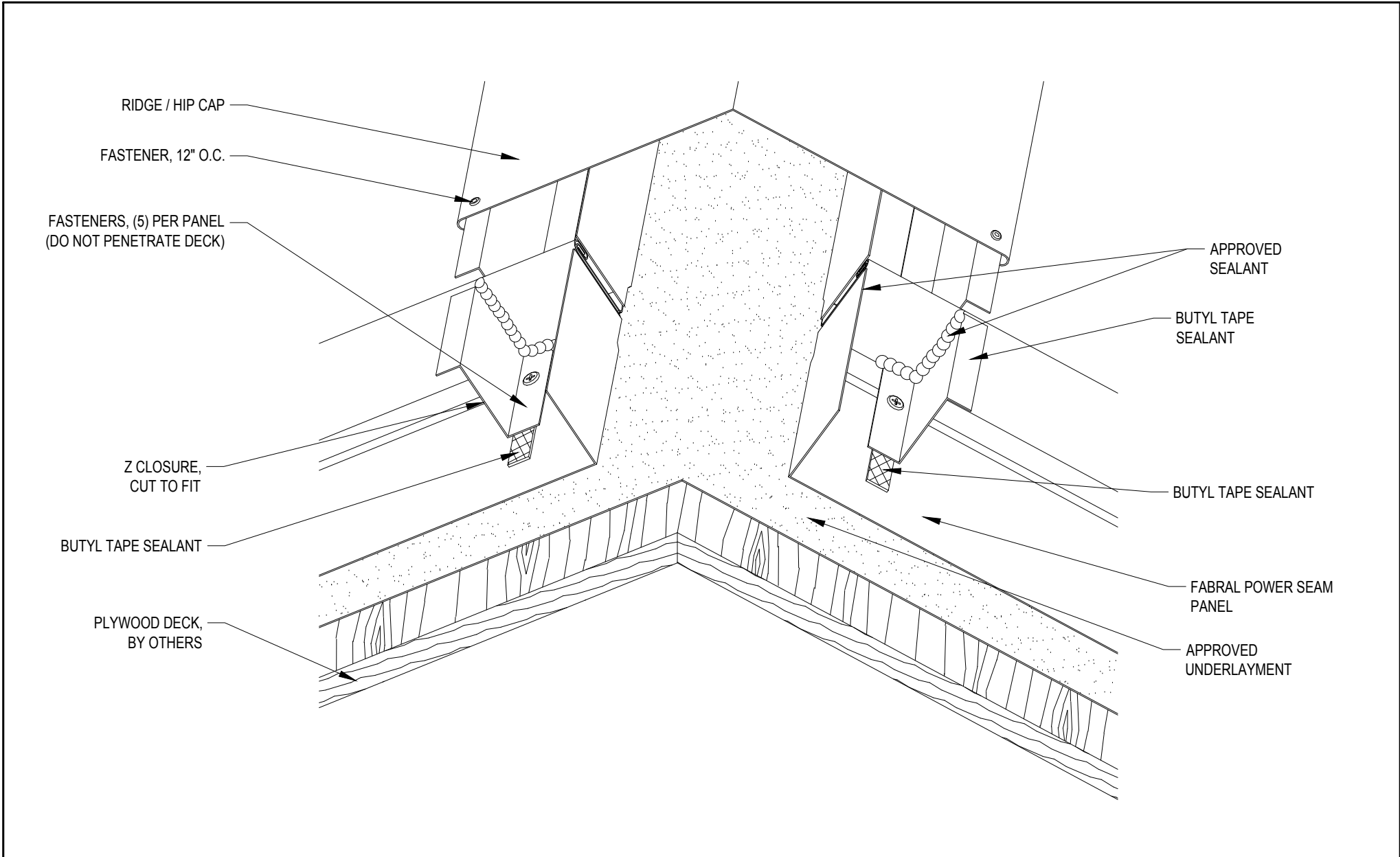
FABRAL, INC.
 3449 Hempland Road
 Lancaster, PA 17601
 800-477-2741

CURB DETAIL (CB-1)

POWER SEAM

Issued:

APRIL 2012



FABRAL

Project:	
Contractor:	

THIS DRAWING IS THE PROPERTY OF FABRAL, INC. THE USE OF THIS DRAWING WITHOUT THE EXPRESS PERMISSION OF FABRAL IS PROHIBITED.

FABRAL, INC.
 3449 Hempland Road
 Lancaster, PA 17601
 800-477-2741

SLIDING HIP/RIDGE DETAIL (HR-2)

POWER SEAM

Issued:
 APRIL 2012

APPROVED UNDERLAYMENT,
TURN DOWN VERTICALLY 3"
MIN.

PLYWOOD DECK, BY
OTHERS

FABRAL POWER SEAM
PANEL

CAULK BETWEEN WEBS

FASTENER, 6" O.C.

BUTYL TAPE SEALANT (ONLY
REQ'D FOR SLOPES 2:12 OR LESS)

PANCAKE FASTENER, 12" O.C.

EAVE FLASHING

FASTENER, 12" O.C.

CLEAT

FASCIA WRAP,
OPTIONAL

FASCIA BOARD,
BY OTHERS

FABRAL

Project:

Contractor:

THIS DRAWING IS THE
PROPERTY OF FABRAL,
INC. THE USE OF THIS
DRAWING WITHOUT THE
EXPRESS PERMISSION OF
FABRAL IS PROHIBITED.

FABRAL, INC.
3449 Hempland Road
Lancaster, PA 17601
800-477-2741

FIXED EAVE DETAIL (FE-2)

POWER SEAM

Issued:

APRIL 2012