

FABRAL

Project:

Contractor:

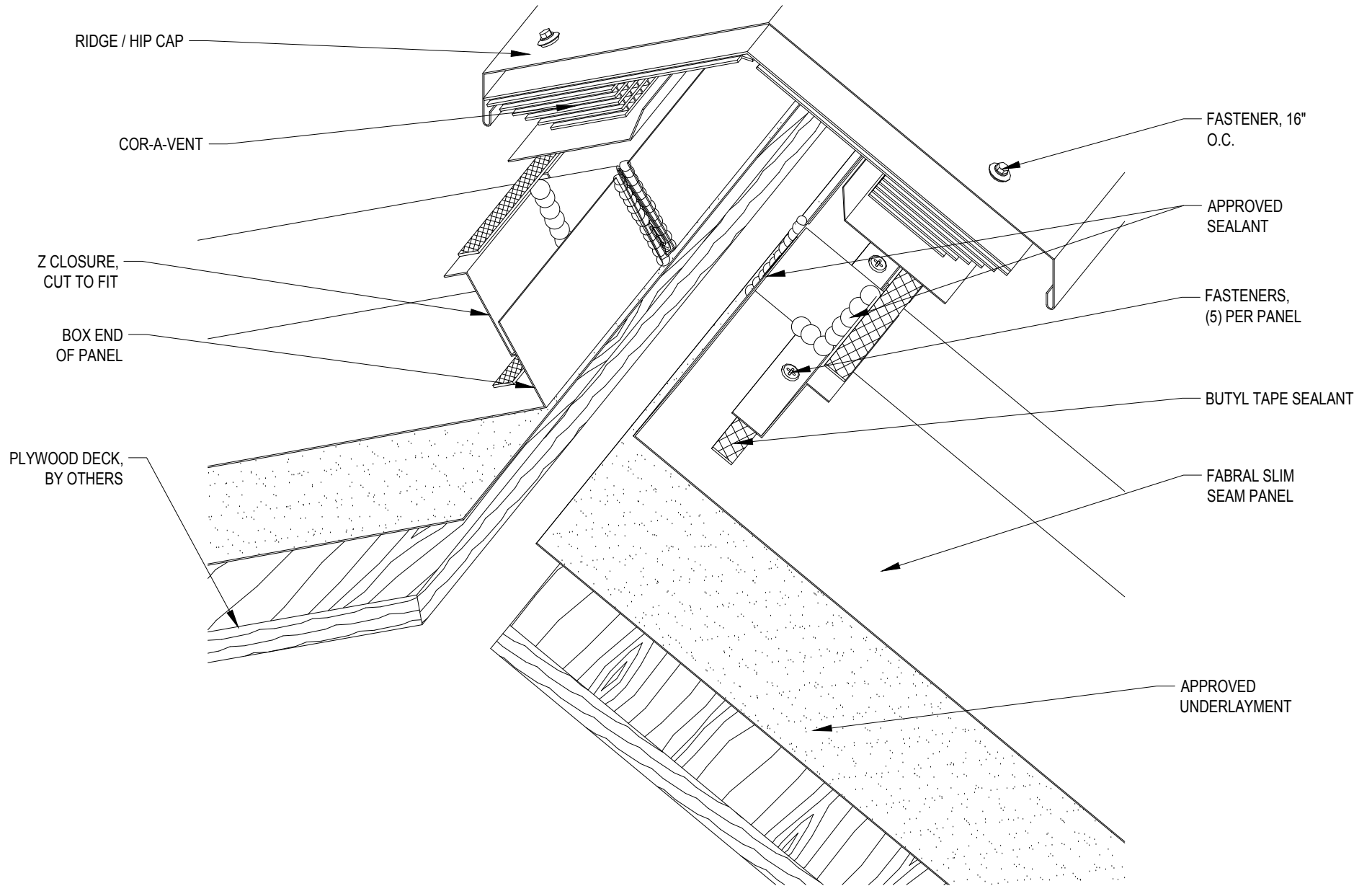
THIS DRAWING IS THE PROPERTY OF FABRAL, INC. THE USE OF THIS DRAWING WITHOUT THE EXPRESS PERMISSION OF FABRAL IS PROHIBITED.

FABRAL, INC.
 3449 Hempland Road
 Lancaster, PA 17601
 800-477-2741

FIXED HIP/RIDGE DETAIL (HR-1)

SLIM SEAM

Issued:
 APRIL 2012



FABRAL

Project:

Contractor:

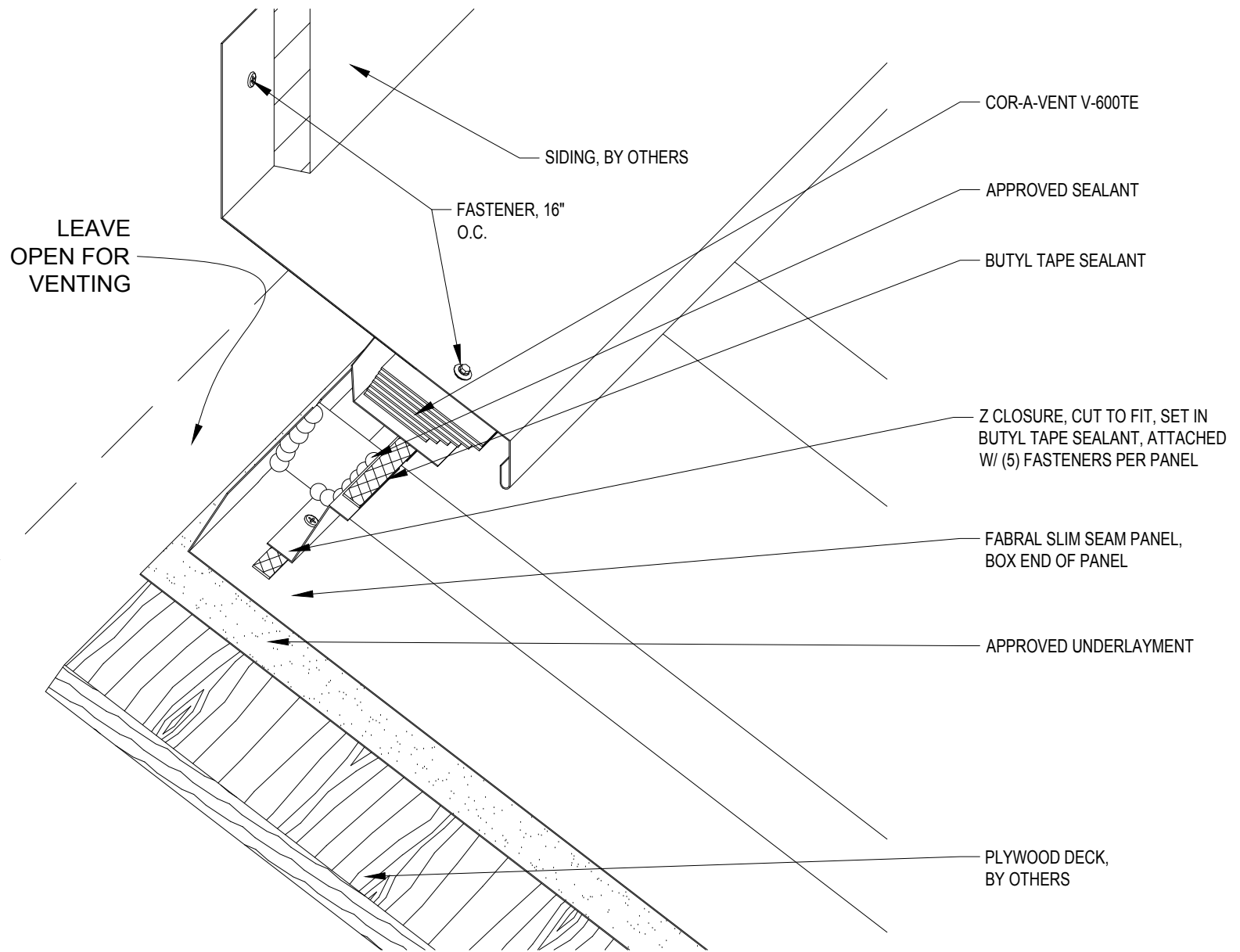
THIS DRAWING IS THE PROPERTY OF FABRAL, INC. THE USE OF THIS DRAWING WITHOUT THE EXPRESS PERMISSION OF FABRAL IS PROHIBITED.

FABRAL, INC.
 3449 Hempland Road
 Lancaster, PA 17601
 800-477-2741

VENTED HIP RIDGE DETAIL (VHR-1)

SLIM SEAM

Issued:
 APRIL 2012



FABRAL

Project:

Contractor:

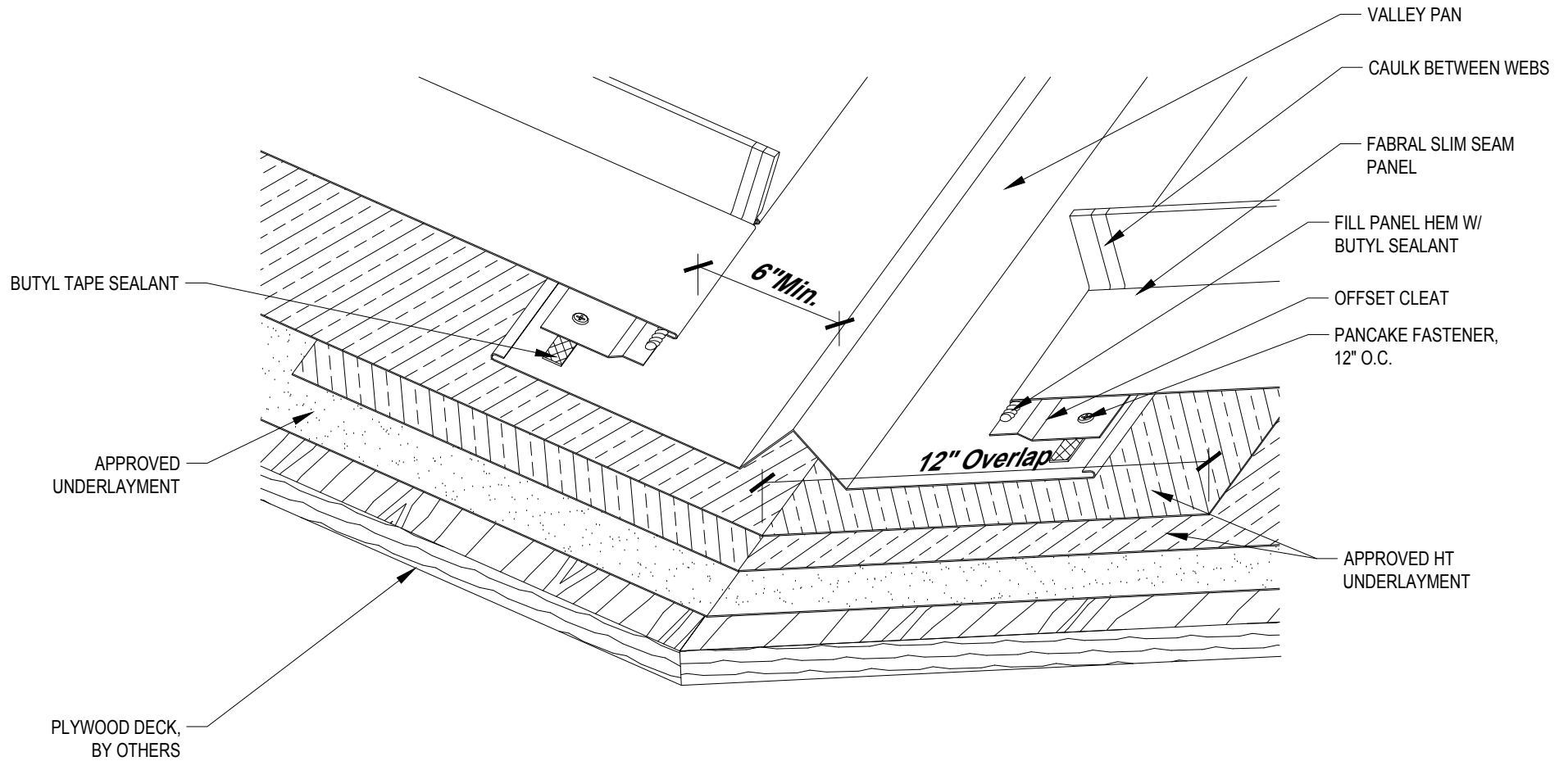
THIS DRAWING IS THE PROPERTY OF FABRAL, INC. THE USE OF THIS DRAWING WITHOUT THE EXPRESS PERMISSION OF FABRAL IS PROHIBITED.

FABRAL, INC.
 3449 Hempland Road
 Lancaster, PA 17601
 800-477-2741

VENTED HEADWALL DETAIL (VHW-1)

SLIM SEAM

Issued:
 APRIL 2012



FABRAL

Project:

Contractor:

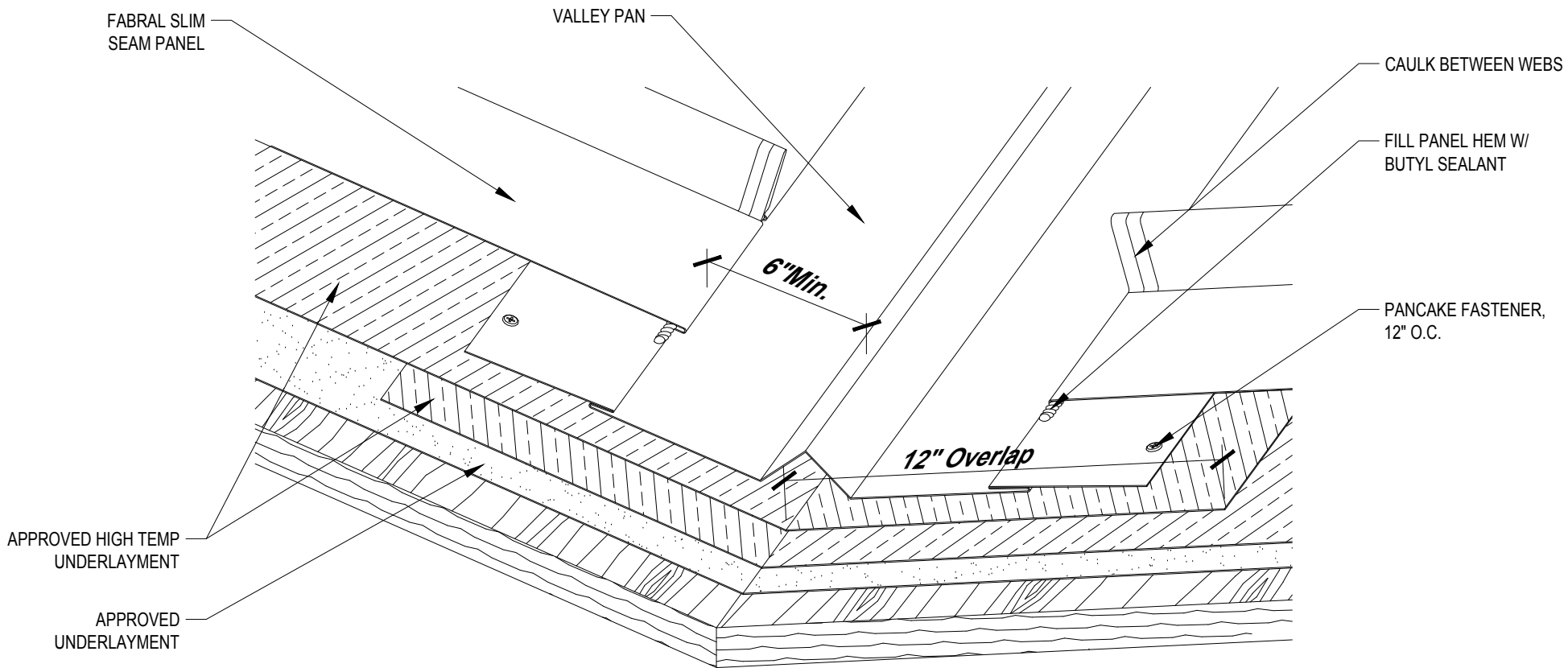
THIS DRAWING IS THE PROPERTY OF FABRAL, INC. THE USE OF THIS DRAWING WITHOUT THE EXPRESS PERMISSION OF FABRAL IS PROHIBITED.

FABRAL, INC.
 3449 Hempland Road
 Lancaster, PA 17601
 800-477-2741

VALLEY DETAIL (V-1)

SLIM SEAM

Issued:
 APRIL 2012



FABRAL

Project:

Contractor:

THIS DRAWING IS THE PROPERTY OF FABRAL, INC. THE USE OF THIS DRAWING WITHOUT THE EXPRESS PERMISSION OF FABRAL IS PROHIBITED.

FABRAL, INC.
 3449 Hempland Road
 Lancaster, PA 17601
 800-477-2741

VALLEY DETAIL (V-2)

SLIM SEAM

Issued:
 APRIL 2012

APPROVED
UNDERLAYMENT, TURN
DOWN VERTICALLY 3" MIN.

FABRAL SLIM
SEAM PANEL

CAULK BETWEEN WEBS

PANCAKE FASTENER, 12" O.C.

BUTYL TAPE SEALANT (ONLY
REQ'D FOR SLOPES 2:12 OR LESS)

PLYWOOD DECK,
BY OTHERS

EAVE FLASHING

FASTENER, 12"
O.C.

FASCIA BOARD,
BY OTHERS

CLEAT

FASCIA WRAP,
OPTIONAL

GUTTER

STRAP / HANGER

FABRAL

Project:

Contractor:

THIS DRAWING IS THE
PROPERTY OF FABRAL,
INC. THE USE OF THIS
DRAWING WITHOUT THE
EXPRESS PERMISSION OF
FABRAL IS PROHIBITED.

FABRAL, INC.
3449 Hempland Road
Lancaster, PA 17601
800-477-2741

SLIDING EAVE W/ GUTTER DETAIL (EG-1)

SLIM SEAM

Issued:

APRIL 2012

APPROVED
UNDERLAYMENT, TURN
DOWN VERTICALLY 3" MIN.

FABRAL SLIM
SEAM PANEL

CAULK BETWEEN WEBS

BUTYL TAPE SEALANT (ONLY
REQ'D FOR SLOPES 2:12 OR LESS)

PLYWOOD DECK,
BY OTHERS

PANCAKE FASTENER, 12" O.C.

EAVE FLASHING

FASTENER, 12" O.C.

FASCIA BOARD,
BY OTHERS

CLEAT

FASCIA WRAP,
OPTIONAL

FABRAL

Project:

Contractor:

THIS DRAWING IS THE
PROPERTY OF FABRAL,
INC. THE USE OF THIS
DRAWING WITHOUT THE
EXPRESS PERMISSION OF
FABRAL IS PROHIBITED.

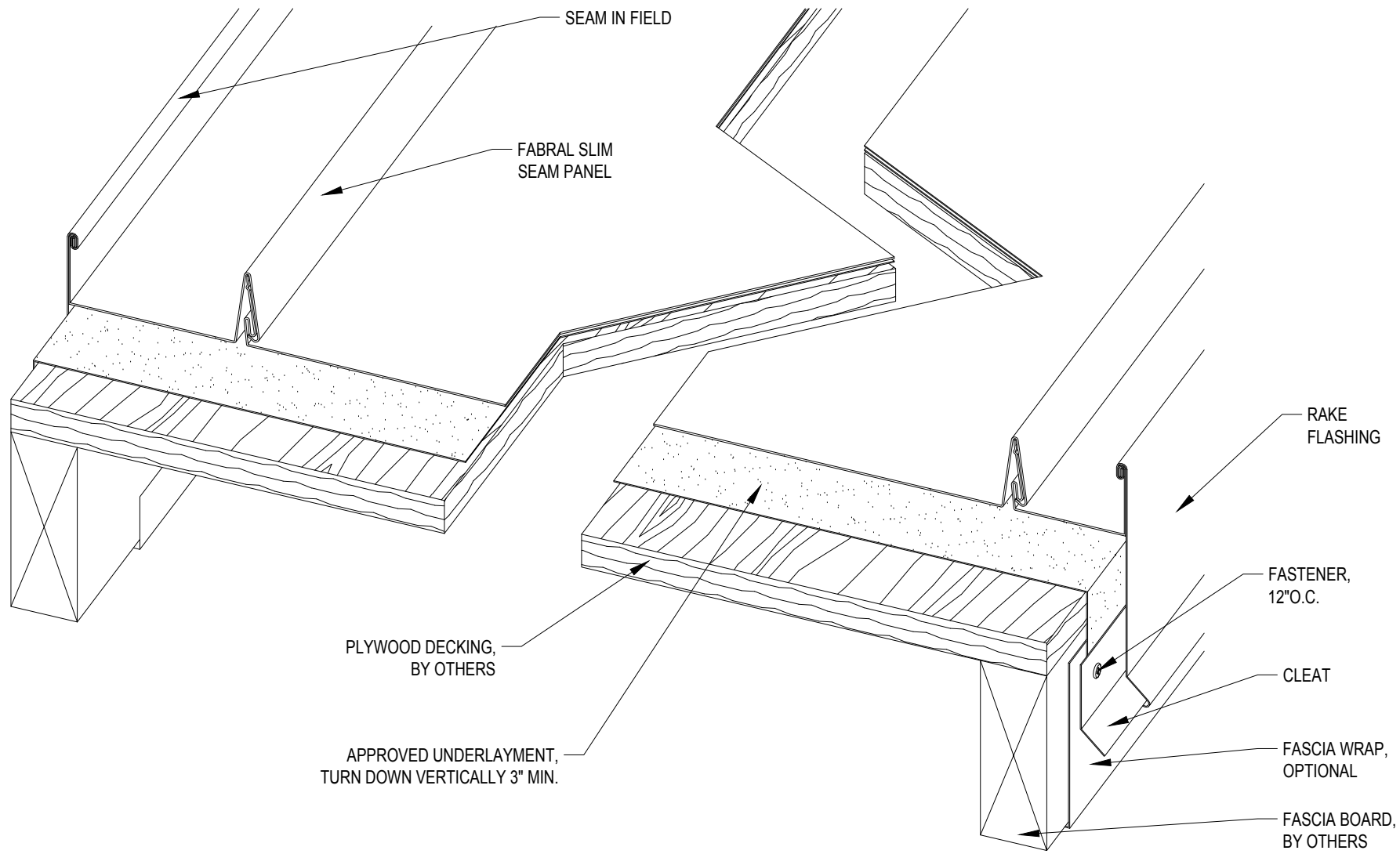
FABRAL, INC.
3449 Hempland Road
Lancaster, PA 17601
800-477-2741

SLIDING EAVE DETAIL (E-1)

SLIM SEAM

Issued:

APRIL 2012



FABRAL

Project:

Contractor:

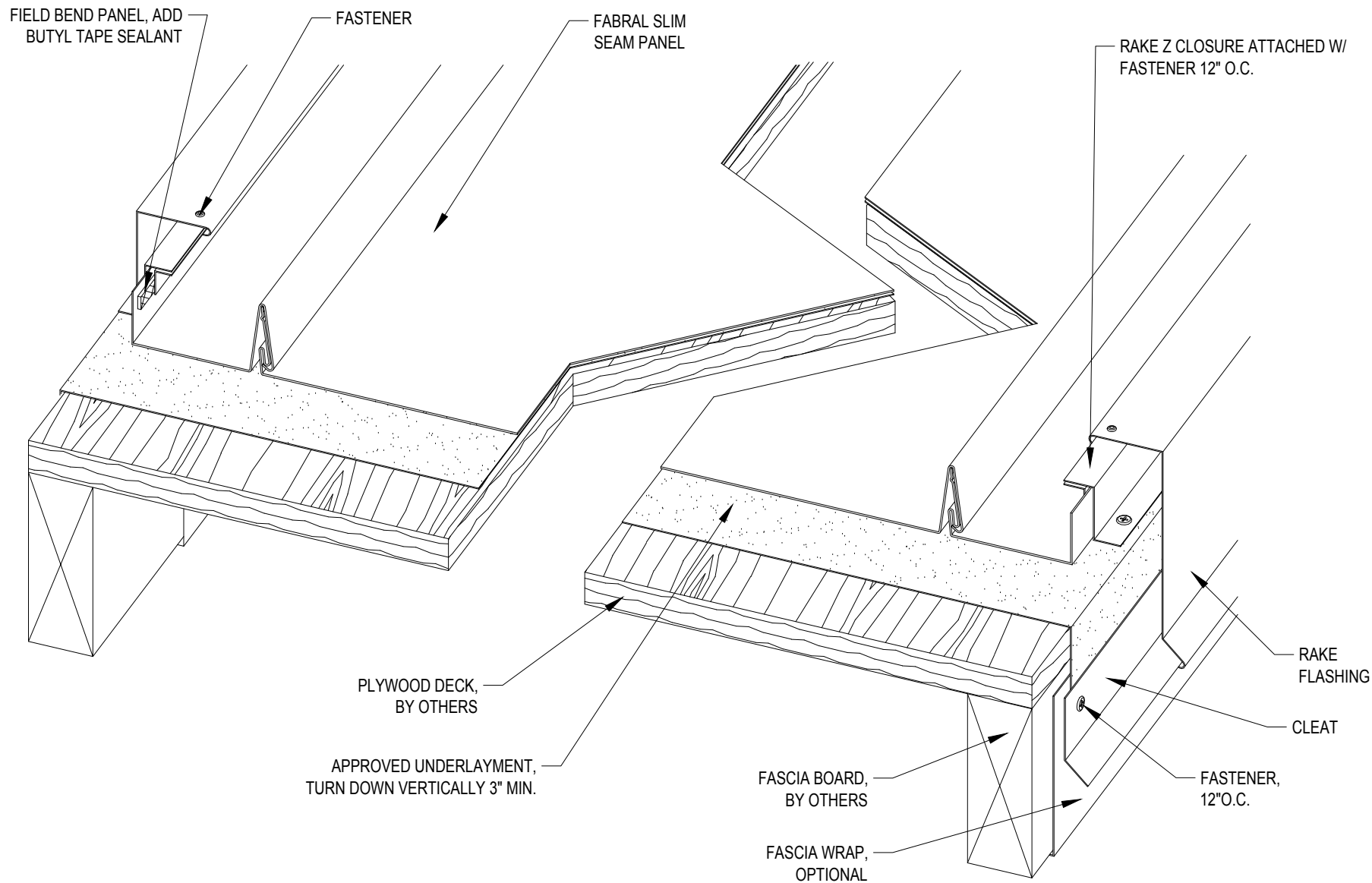
THIS DRAWING IS THE PROPERTY OF FABRAL, INC. THE USE OF THIS DRAWING WITHOUT THE EXPRESS PERMISSION OF FABRAL IS PROHIBITED.

FABRAL, INC.
 3449 Hempland Road
 Lancaster, PA 17601
 800-477-2741

SLIDING GABLE DETAIL (G-1)

SLIM SEAM

Issued:
 APRIL 2012



FABRAL

Project:

Contractor:

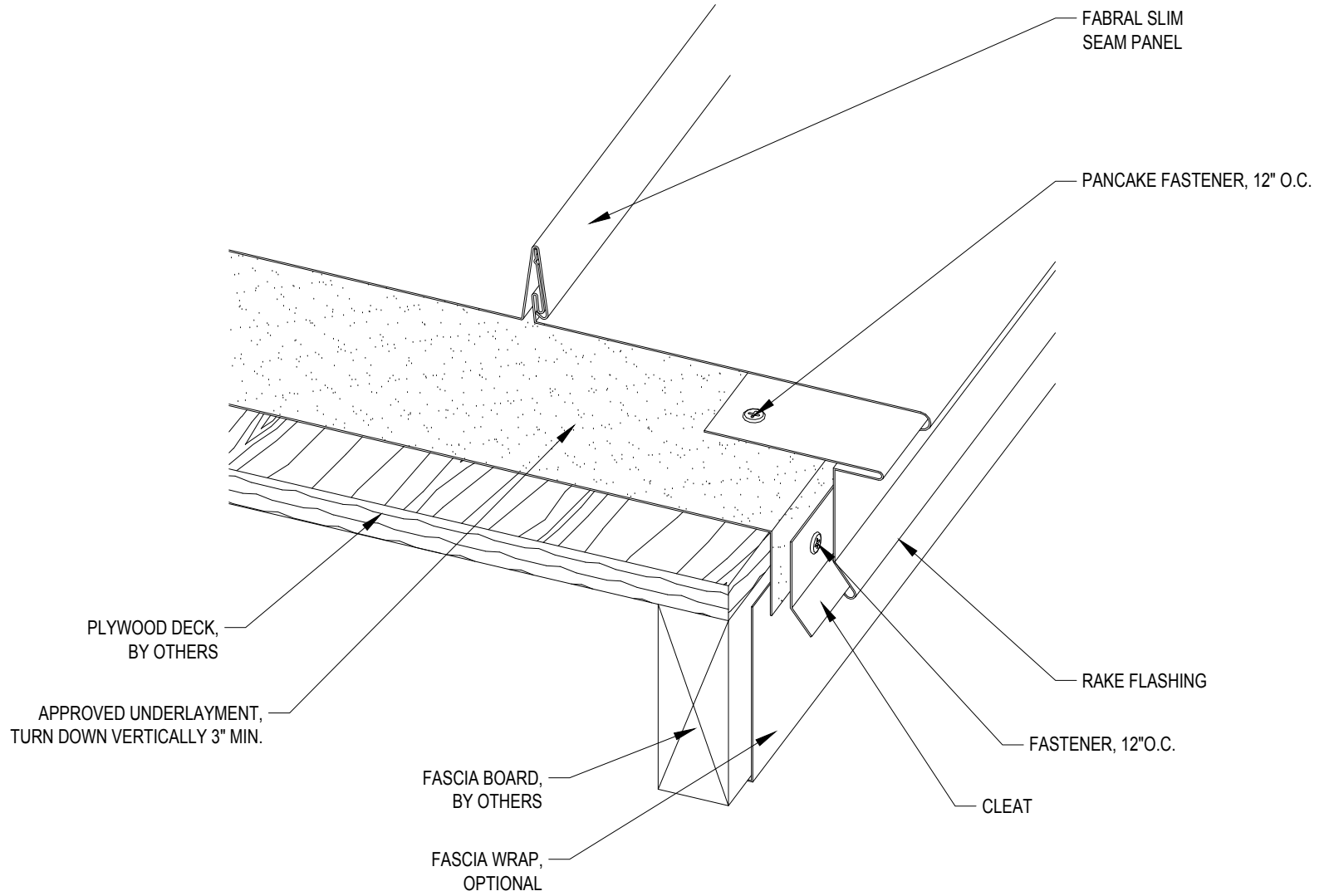
THIS DRAWING IS THE PROPERTY OF FABRAL, INC. THE USE OF THIS DRAWING WITHOUT THE EXPRESS PERMISSION OF FABRAL IS PROHIBITED.

FABRAL, INC.
 3449 Hempland Road
 Lancaster, PA 17601
 800-477-2741

SLIDING GABLE DETAIL (G-2)

SLIM SEAM

Issued:
 APRIL 2012



FABRAL

Project:

Contractor:

THIS DRAWING IS THE PROPERTY OF FABRAL, INC. THE USE OF THIS DRAWING WITHOUT THE EXPRESS PERMISSION OF FABRAL IS PROHIBITED.

FABRAL, INC.
 3449 Hempland Road
 Lancaster, PA 17601
 800-477-2741

SLIDING GABLE DETAIL (G-3)

SLIM SEAM

Issued:
 APRIL 2012

FASTENER, 16" O.C.

RAKE FLASHING

FABRAL SLIM SEAM PANEL,
BOX PANEL END

APPROVED SEALANT

FASTENERS, 12" O.C.

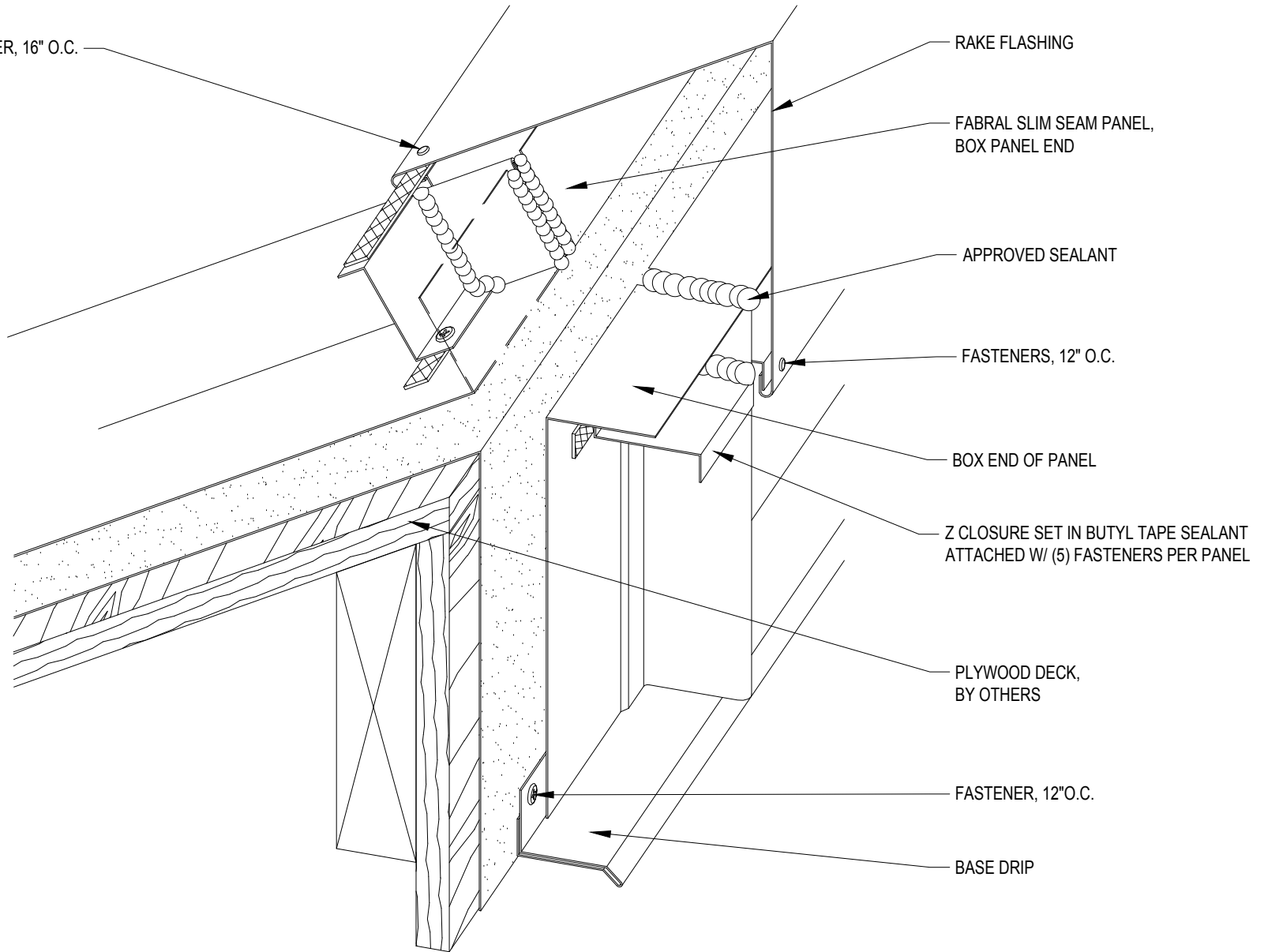
BOX END OF PANEL

Z CLOSURE SET IN BUTYL TAPE SEALANT
ATTACHED W/ (5) FASTENERS PER PANEL

PLYWOOD DECK,
BY OTHERS

FASTENER, 12" O.C.

BASE DRIP



FABRAL

Project:

Contractor:

THIS DRAWING IS THE
PROPERTY OF FABRAL,
INC. THE USE OF THIS
DRAWING WITHOUT THE
EXPRESS PERMISSION OF
FABRAL IS PROHIBITED.

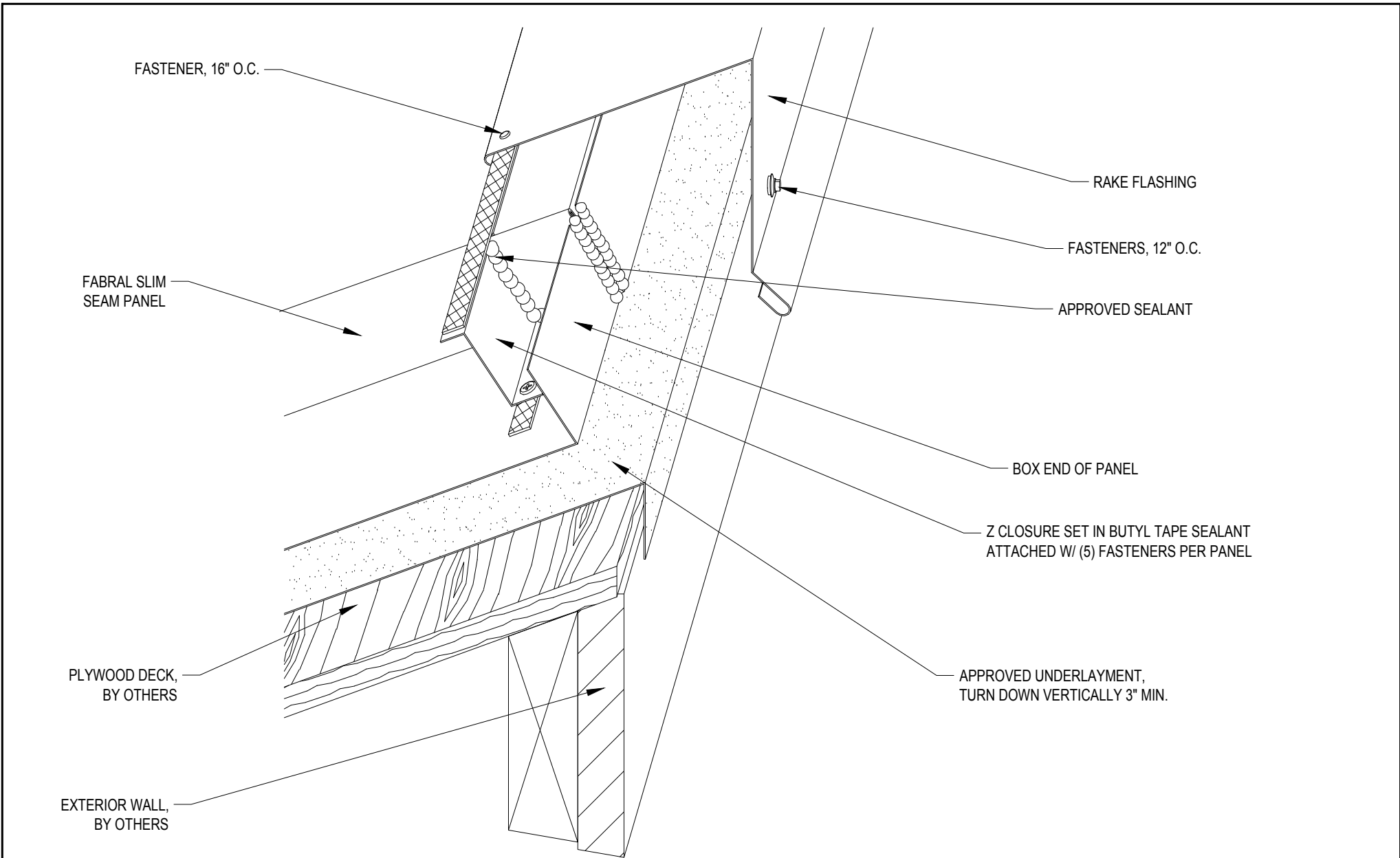
FABRAL, INC.
3449 Hempland Road
Lancaster, PA 17601
800-477-2741

HIGH SIDE EAVE DETAIL (HSE-1)

SLIM SEAM

Issued:

APRIL 2012



FASTENER, 16" O.C.

RAKE FLASHING

FABRAL SLIM SEAM PANEL

FASTENERS, 12" O.C.

APPROVED SEALANT

BOX END OF PANEL

Z CLOSURE SET IN BUTYL TAPE SEALANT ATTACHED W/ (5) FASTENERS PER PANEL

PLYWOOD DECK, BY OTHERS

APPROVED UNDERLAYMENT, TURN DOWN VERTICALLY 3" MIN.

EXTERIOR WALL, BY OTHERS

Project:

Contractor:

THIS DRAWING IS THE PROPERTY OF FABRAL, INC. THE USE OF THIS DRAWING WITHOUT THE EXPRESS PERMISSION OF FABRAL IS PROHIBITED.

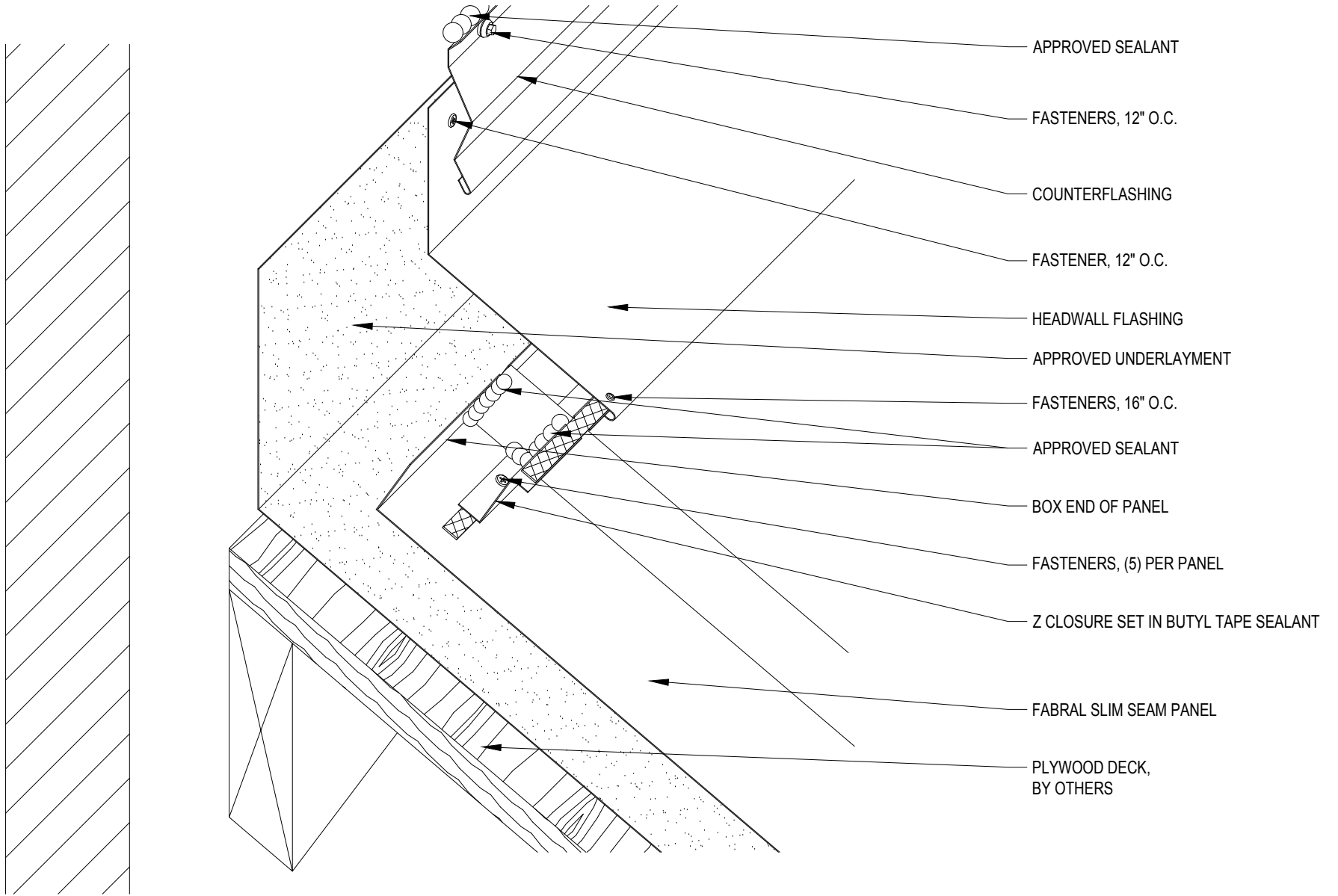
FABRAL, INC.
3449 Hempland Road
Lancaster, PA 17601
800-477-2741

FABRAL

HIGH SIDE EAVE DETAIL (HSE-2)

SLIM SEAM

Issued:
APRIL 2012



FABRAL

Project:

Contractor:

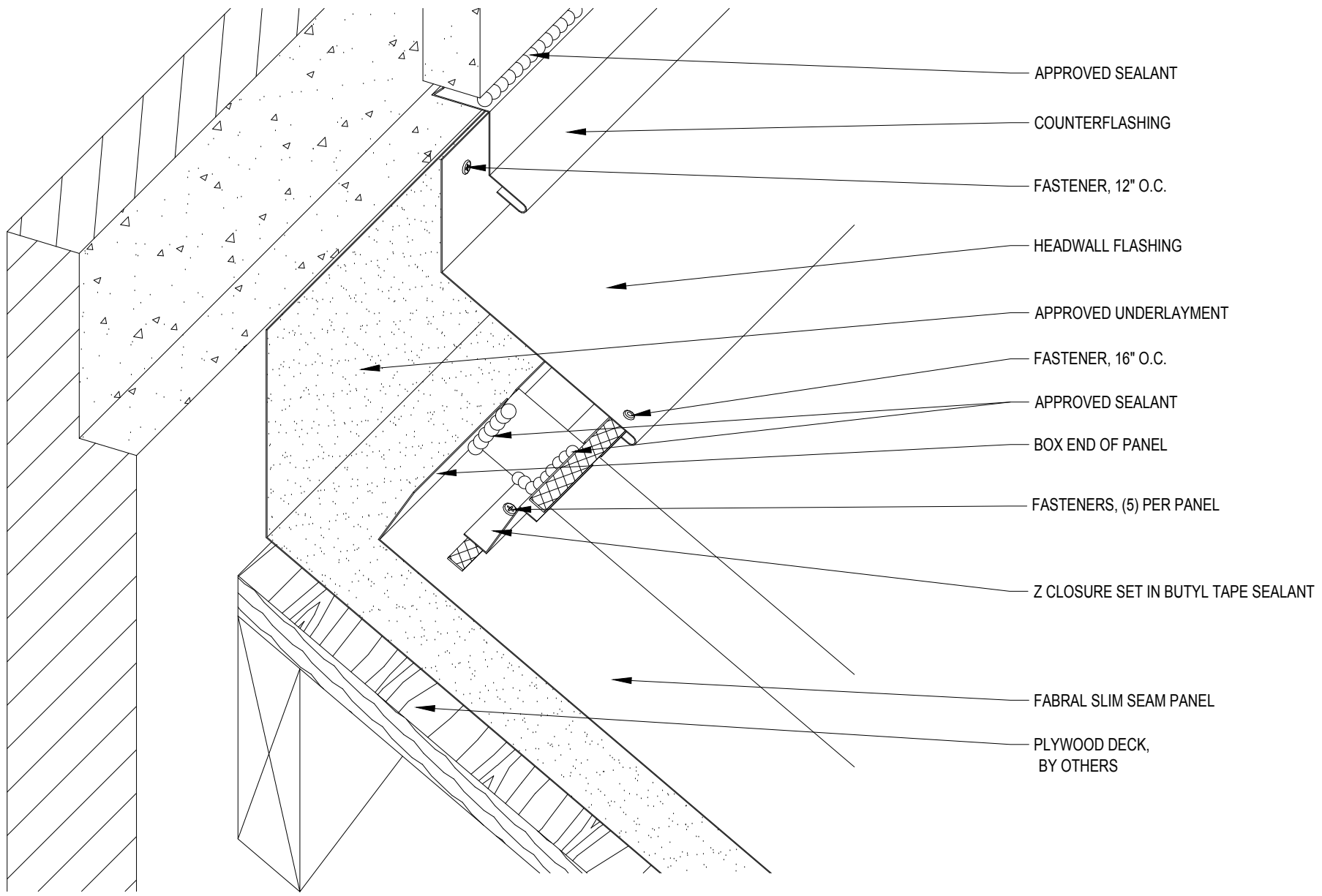
THIS DRAWING IS THE PROPERTY OF FABRAL, INC. THE USE OF THIS DRAWING WITHOUT THE EXPRESS PERMISSION OF FABRAL IS PROHIBITED.

FABRAL, INC.
 3449 Hempland Road
 Lancaster, PA 17601
 800-477-2741

HEADWALL DETAIL (HW-1)

SLIM SEAM

Issued:
 APRIL 2012



FABRAL

Project:

Contractor:

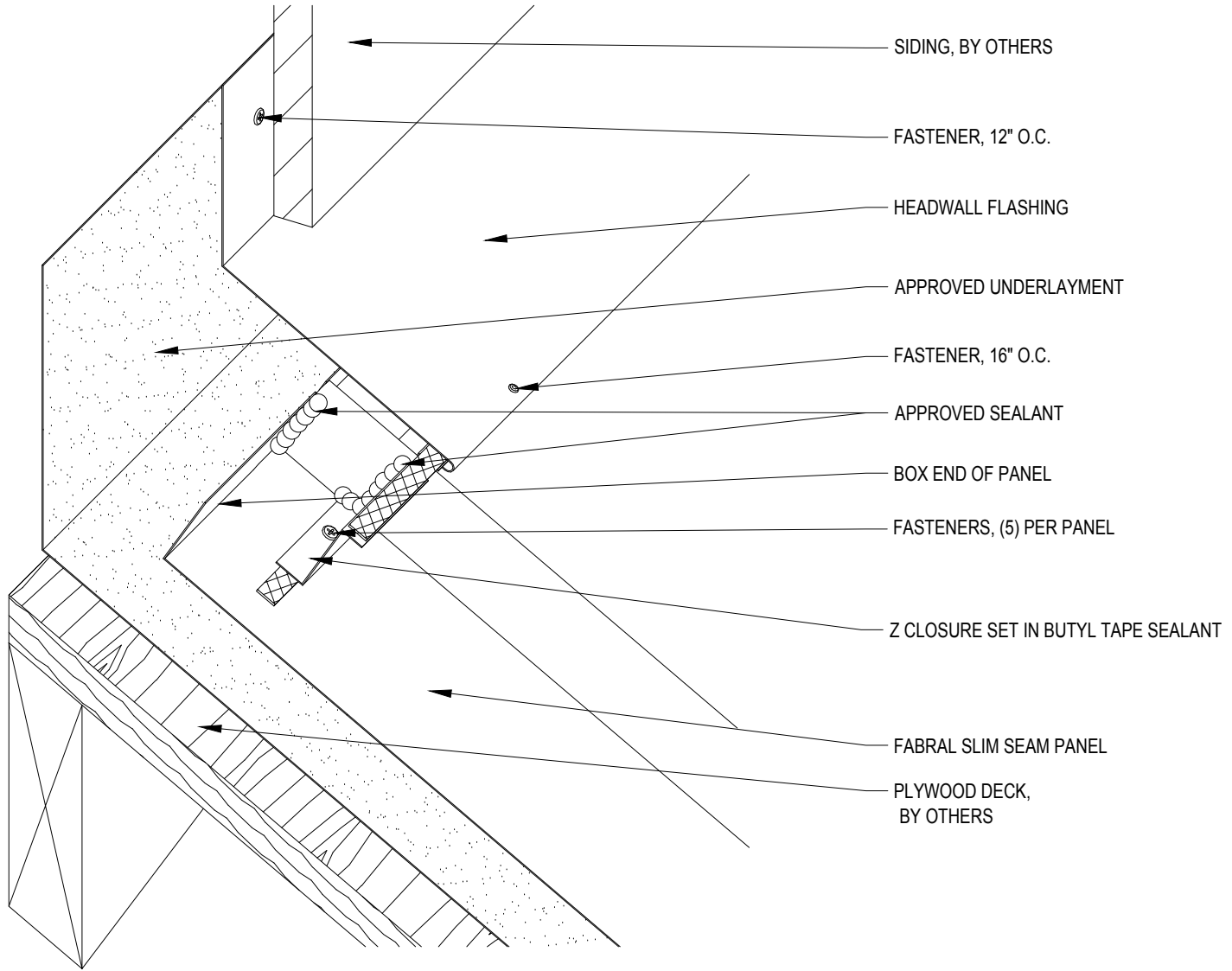
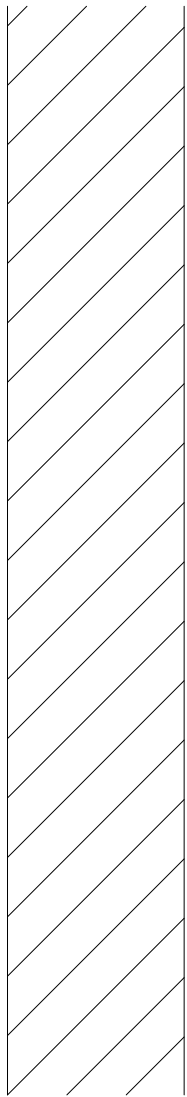
THIS DRAWING IS THE PROPERTY OF FABRAL, INC. THE USE OF THIS DRAWING WITHOUT THE EXPRESS PERMISSION OF FABRAL IS PROHIBITED.

FABRAL, INC.
 3449 Hempland Road
 Lancaster, PA 17601
 800-477-2741

HEADWALL DETAIL (HW-2)

SLIM SEAM

Issued:
 APRIL 2012



FABRAL

Project:

Contractor:

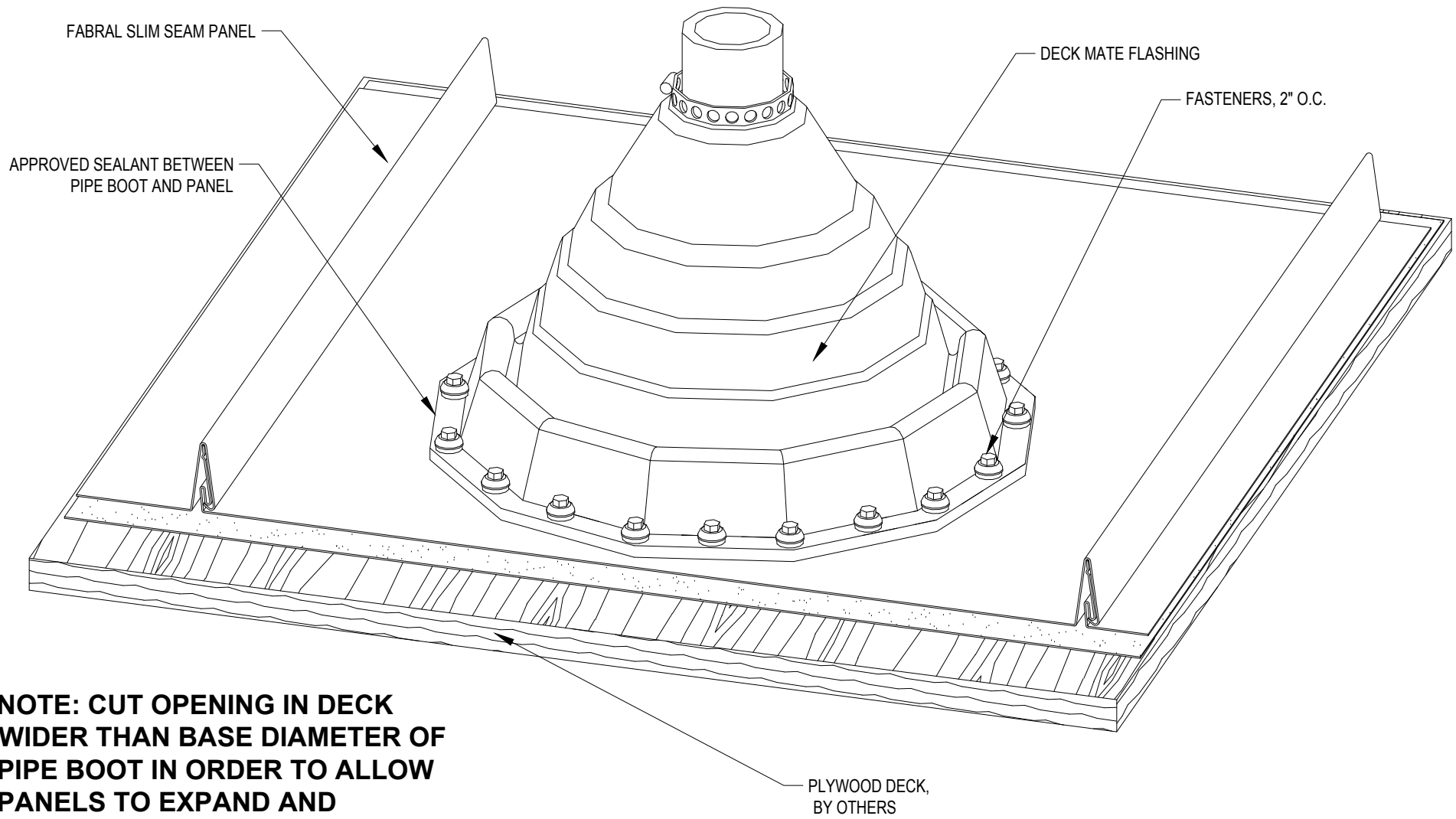
THIS DRAWING IS THE PROPERTY OF FABRAL, INC. THE USE OF THIS DRAWING WITHOUT THE EXPRESS PERMISSION OF FABRAL IS PROHIBITED.

FABRAL, INC.
 3449 Hempland Road
 Lancaster, PA 17601
 800-477-2741

HEADWALL DETAIL (HW-3)

SLIM SEAM

Issued:
 APRIL 2012



NOTE: CUT OPENING IN DECK WIDER THAN BASE DIAMETER OF PIPE BOOT IN ORDER TO ALLOW PANELS TO EXPAND AND CONTRACT.

FABRAL

Project:

Contractor:

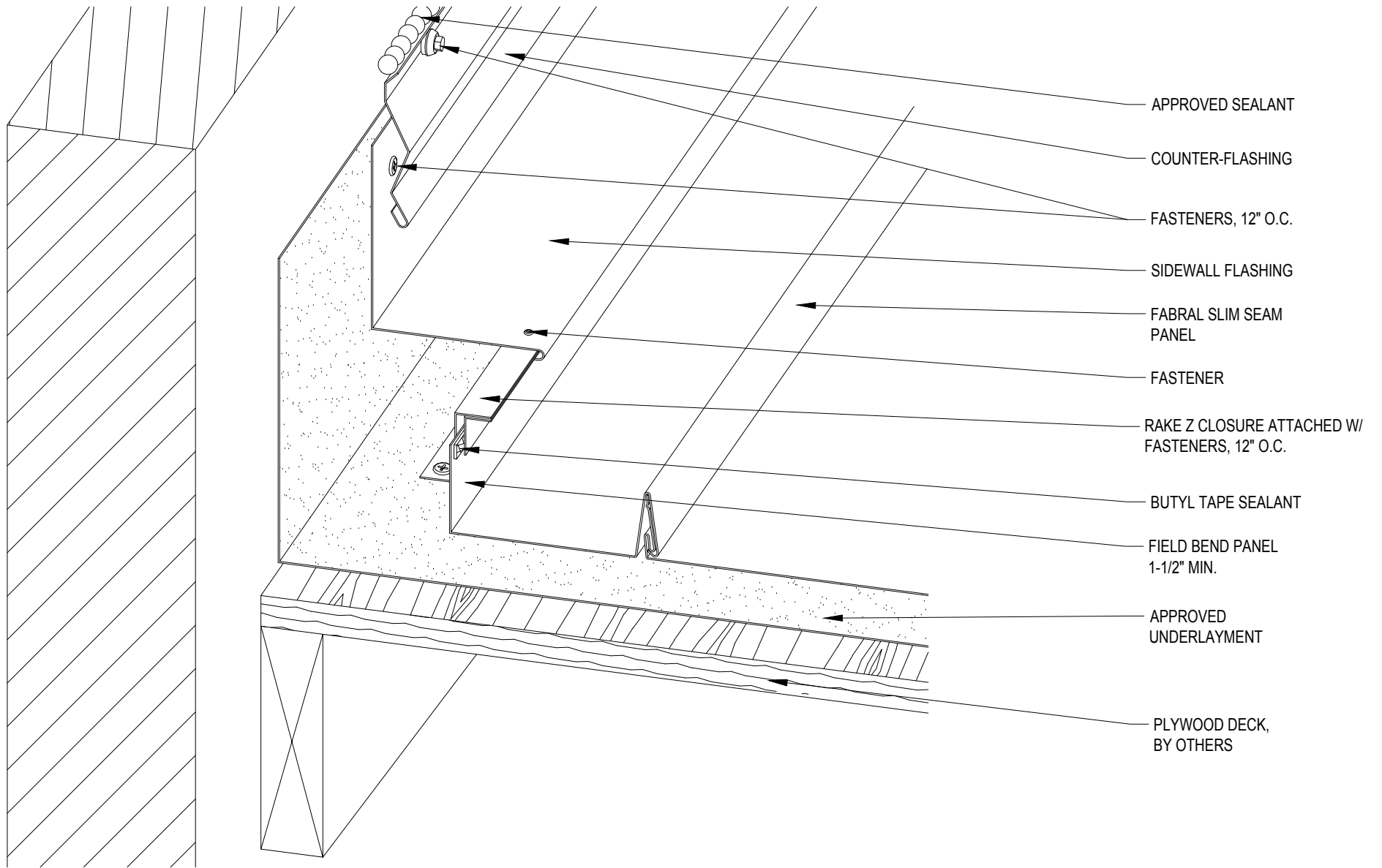
THIS DRAWING IS THE PROPERTY OF FABRAL, INC. THE USE OF THIS DRAWING WITHOUT THE EXPRESS PERMISSION OF FABRAL IS PROHIBITED.

FABRAL, INC.
 3449 Hempland Road
 Lancaster, PA 17601
 800-477-2741

PENETRATION DETAIL (P-1)

SLIM SEAM

Issued:
 APRIL 2012



FABRAL

Project:

Contractor:

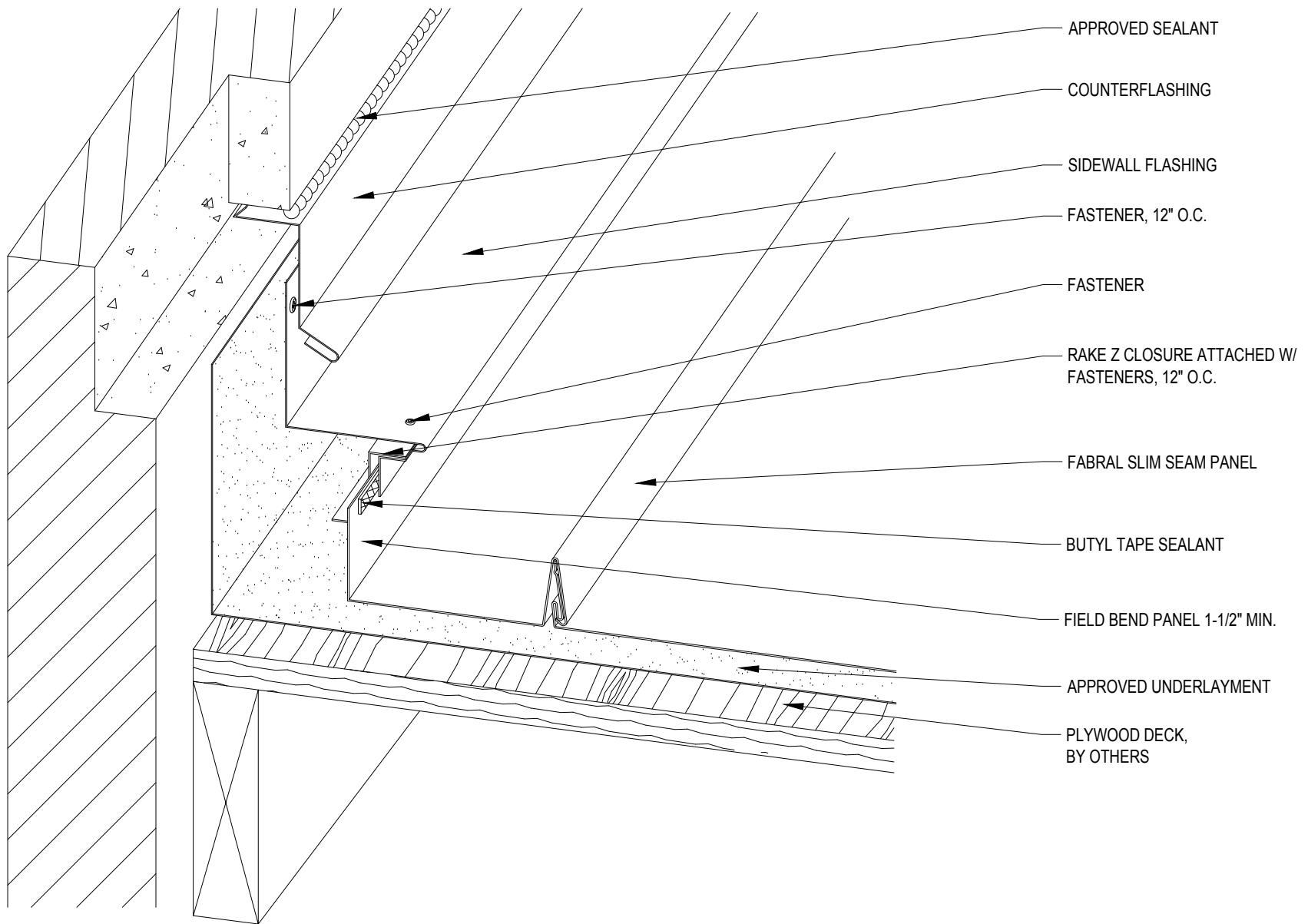
THIS DRAWING IS THE PROPERTY OF FABRAL, INC. THE USE OF THIS DRAWING WITHOUT THE EXPRESS PERMISSION OF FABRAL IS PROHIBITED.

FABRAL, INC.
 3449 Hempland Road
 Lancaster, PA 17601
 800-477-2741

SIDEWALL DETAIL (SW-1)

SLIM SEAM

Issued:
 APRIL 2012



FABRAL

Project:

Contractor:

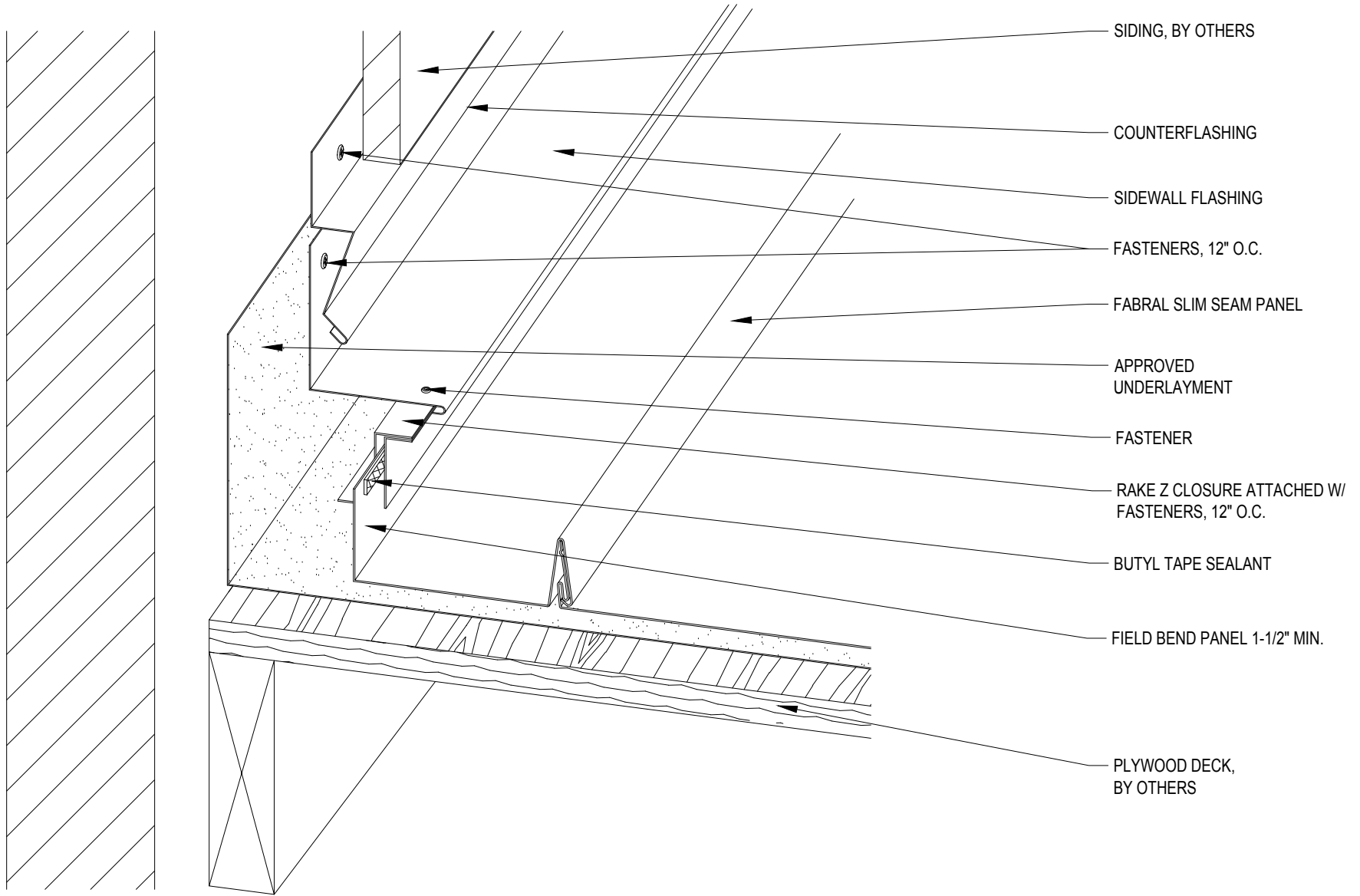
THIS DRAWING IS THE PROPERTY OF FABRAL, INC. THE USE OF THIS DRAWING WITHOUT THE EXPRESS PERMISSION OF FABRAL IS PROHIBITED.

FABRAL, INC.
 3449 Hempland Road
 Lancaster, PA 17601
 800-477-2741

SIDEWALL DETAIL (SW-2)

SLIM SEAM

Issued:
 APRIL 2012



FABRAL

Project:

Contractor:

THIS DRAWING IS THE PROPERTY OF FABRAL, INC. THE USE OF THIS DRAWING WITHOUT THE EXPRESS PERMISSION OF FABRAL IS PROHIBITED.

FABRAL, INC.
 3449 Hempland Road
 Lancaster, PA 17601
 800-477-2741

SIDEWALL DETAIL (SW-3)

SLIM SEAM

Issued:
 APRIL 2012

APPROVED
UNDERLAYMENT, TURN
DOWN VERTICALLY 3" MIN.

PLYWOOD DECK,
BY OTHERS

FABRAL SLIM
SEAM PANEL

CAULK BETWEEN WEBS

BUTYL TAPE SEALANT (ONLY
REQ'D FOR SLOPES 2:12 OR LESS)

PANCAKE FASTENER, 12" O.C.

EAVE FLASHING

FASTENER, 12" O.C.

CLEAT

FASCIA WRAP,
OPTIONAL

FASCIA BOARD,
BY OTHERS

FABRAL

Project:

Contractor:

THIS DRAWING IS THE
PROPERTY OF FABRAL,
INC. THE USE OF THIS
DRAWING WITHOUT THE
EXPRESS PERMISSION OF
FABRAL IS PROHIBITED.

FABRAL, INC.

3449 Hempland Road

Lancaster, PA 17601

800-477-2741

FIXED EAVE DETAIL (FE-1)

SLIM SEAM

Issued:

APRIL 2012

APPROVED
UNDERLAYMENT, TURN
DOWN VERTICALLY 3" MIN.

PLYWOOD DECK,
BY OTHERS

FABRAL SLIM
SEAM PANEL

CAULK BETWEEN WEBS

BUTYL TAPE SEALANT

PANCAKE FASTENER, 12" O.C.

BUTYL TAPE SEALANT

EAVE FLASHING

FASTENER, 12" O.C.

CLEAT

FASCIA WRAP,
OPTIONAL

FASCIA BOARD,
BY OTHERS

FABRAL

Project:

Contractor:

THIS DRAWING IS THE
PROPERTY OF FABRAL,
INC. THE USE OF THIS
DRAWING WITHOUT THE
EXPRESS PERMISSION OF
FABRAL IS PROHIBITED.

FABRAL, INC.

3449 Hempland Road

Lancaster, PA 17601

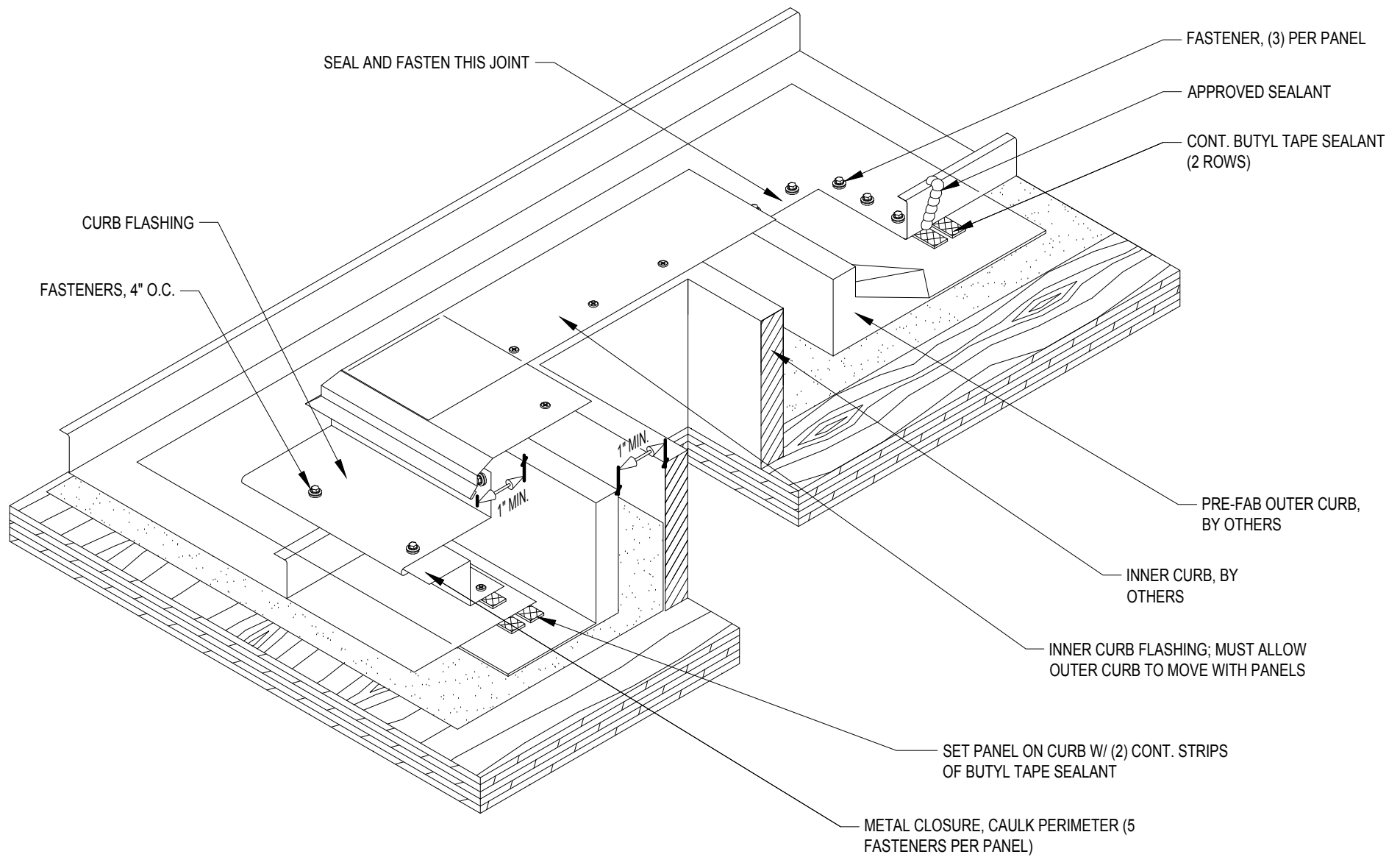
800-477-2741

SLIDING EAVE DETAIL (E-2)

SLIM SEAM

Issued:

APRIL 2012



FABRAL

Project:

Contractor:

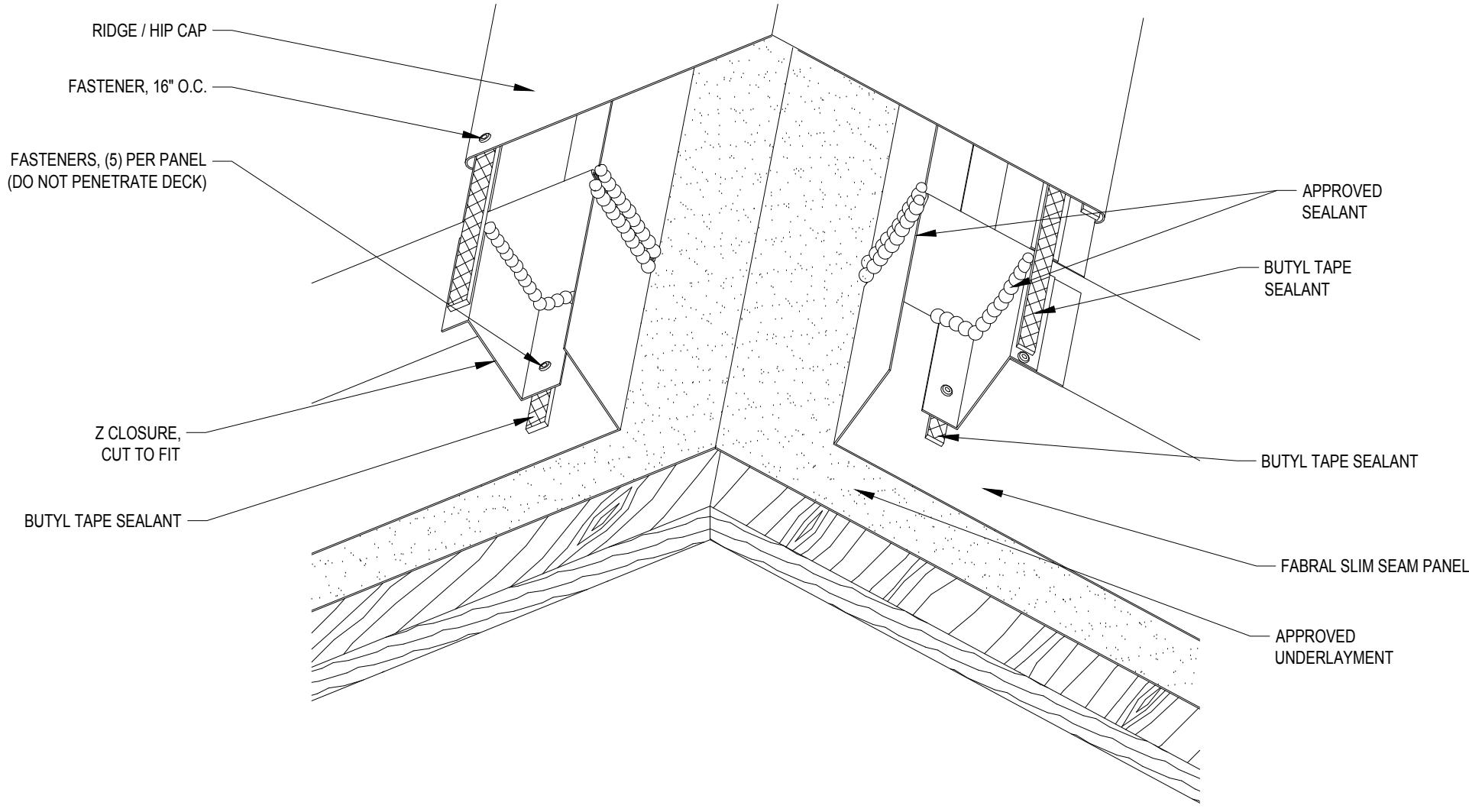
THIS DRAWING IS THE PROPERTY OF FABRAL, INC. THE USE OF THIS DRAWING WITHOUT THE EXPRESS PERMISSION OF FABRAL IS PROHIBITED.

FABRAL, INC.
 3449 Hempland Road
 Lancaster, PA 17601
 800-477-2741

CURB DETAIL (CB-1)

SLIM SEAM

Issued:
 APRIL 2012



FABRAL

Project:

Contractor:

THIS DRAWING IS THE PROPERTY OF FABRAL, INC. THE USE OF THIS DRAWING WITHOUT THE EXPRESS PERMISSION OF FABRAL IS PROHIBITED.

FABRAL, INC.
 3449 Hempland Road
 Lancaster, PA 17601
 800-477-2741

SLIDING HIP/RIDGE DETAIL (HR-2)

SLIM SEAM

Issued:
 APRIL 2012

APPROVED
UNDERLAYMENT, TURN
DOWN VERTICALLY 3" MIN.

FABRAL SLIM
SEAM PANEL

PLYWOOD DECK,
BY OTHERS

CAULK BETWEEN WEBS

BUTYL TAPE SEALANT (ONLY
REQ'D FOR SLOPES 2:12 OR LESS)

PANCAKE FASTENER, 12" O.C.

EAVE FLASHING

FASTENER, 12" O.C.

CLEAT

FASCIA WRAP,
OPTIONAL

FASCIA BOARD,
BY OTHERS

FABRAL

Project:

Contractor:

THIS DRAWING IS THE
PROPERTY OF FABRAL,
INC. THE USE OF THIS
DRAWING WITHOUT THE
EXPRESS PERMISSION OF
FABRAL IS PROHIBITED.

FABRAL, INC.
3449 Hempland Road
Lancaster, PA 17601
800-477-2741

FIXED EAVE DETAIL (FE-2)

SLIM SEAM

Issued:

APRIL 2012