

**FABRAL**

Project: \_\_\_\_\_

Contractor: \_\_\_\_\_

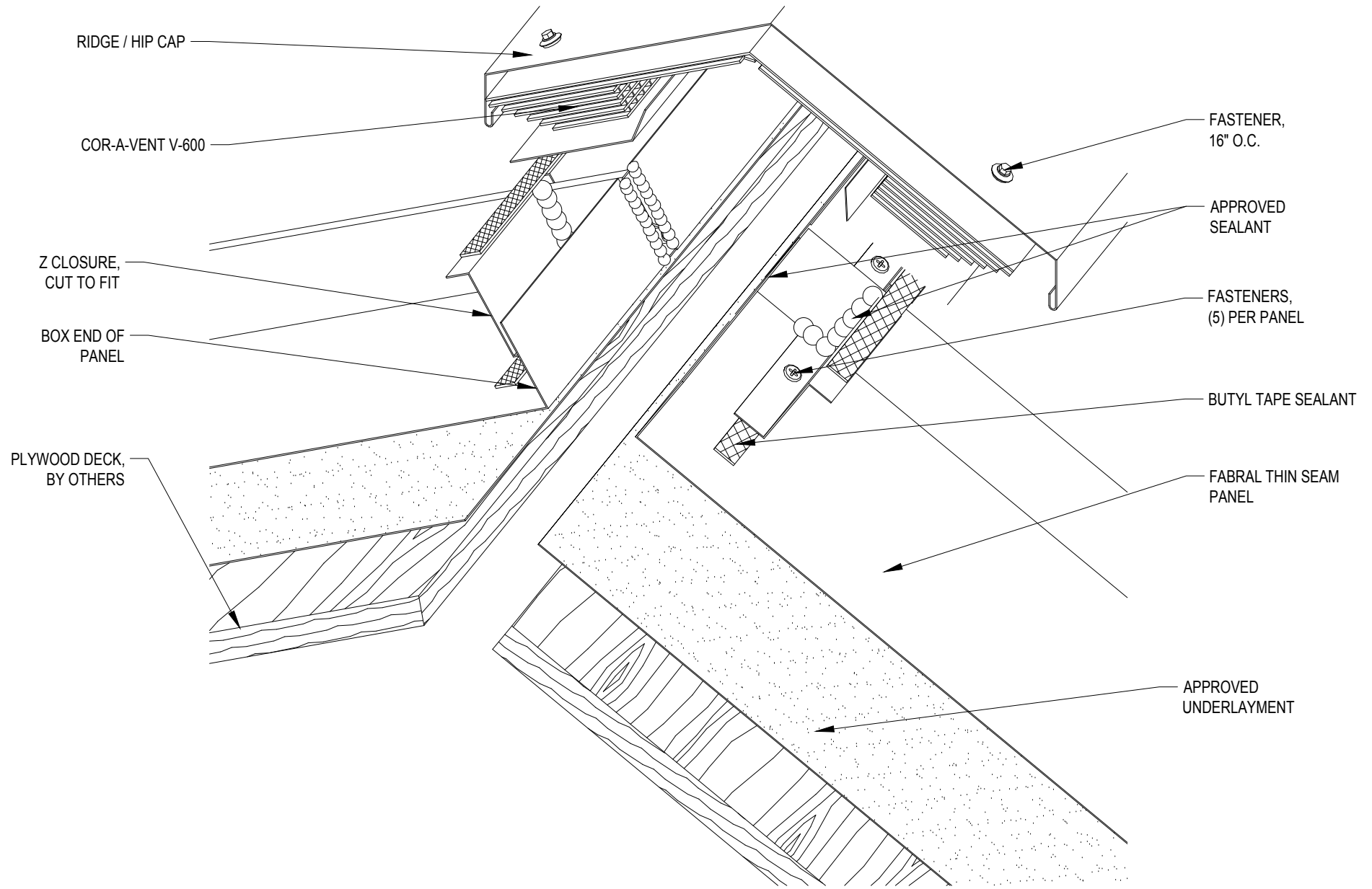
THIS DRAWING IS THE PROPERTY OF FABRAL, INC. THE USE OF THIS DRAWING WITHOUT THE EXPRESS PERMISSION OF FABRAL IS PROHIBITED.

**FABRAL, INC.**  
 3449 Hempland Road  
 Lancaster, PA 17601  
 800-477-2741

**FIXED HIP/RIDGE DETAIL (HR-1)**

**THIN SEAM**

Issued:  
 APRIL 2012



**FABRAL**

Project:

Contractor:

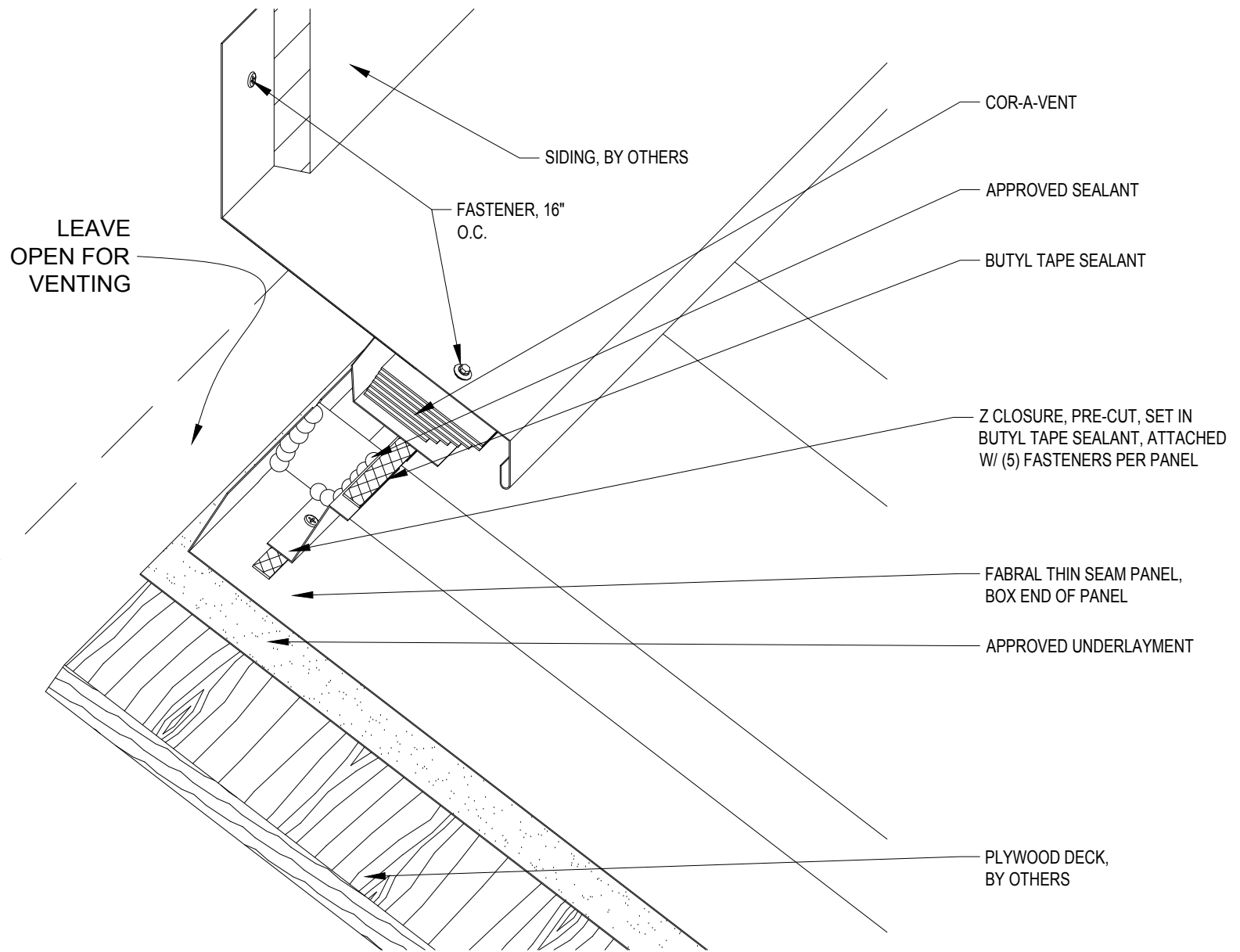
THIS DRAWING IS THE PROPERTY OF FABRAL, INC. THE USE OF THIS DRAWING WITHOUT THE EXPRESS PERMISSION OF FABRAL IS PROHIBITED.

**FABRAL, INC.**  
 3449 Hempland Road  
 Lancaster, PA 17601  
 800-477-2741

**VENTED HIP RIDGE DETAIL (VHR-1)**

**THIN SEAM**

Issued:  
 APRIL 2012



**FABRAL**

Project:

Contractor:

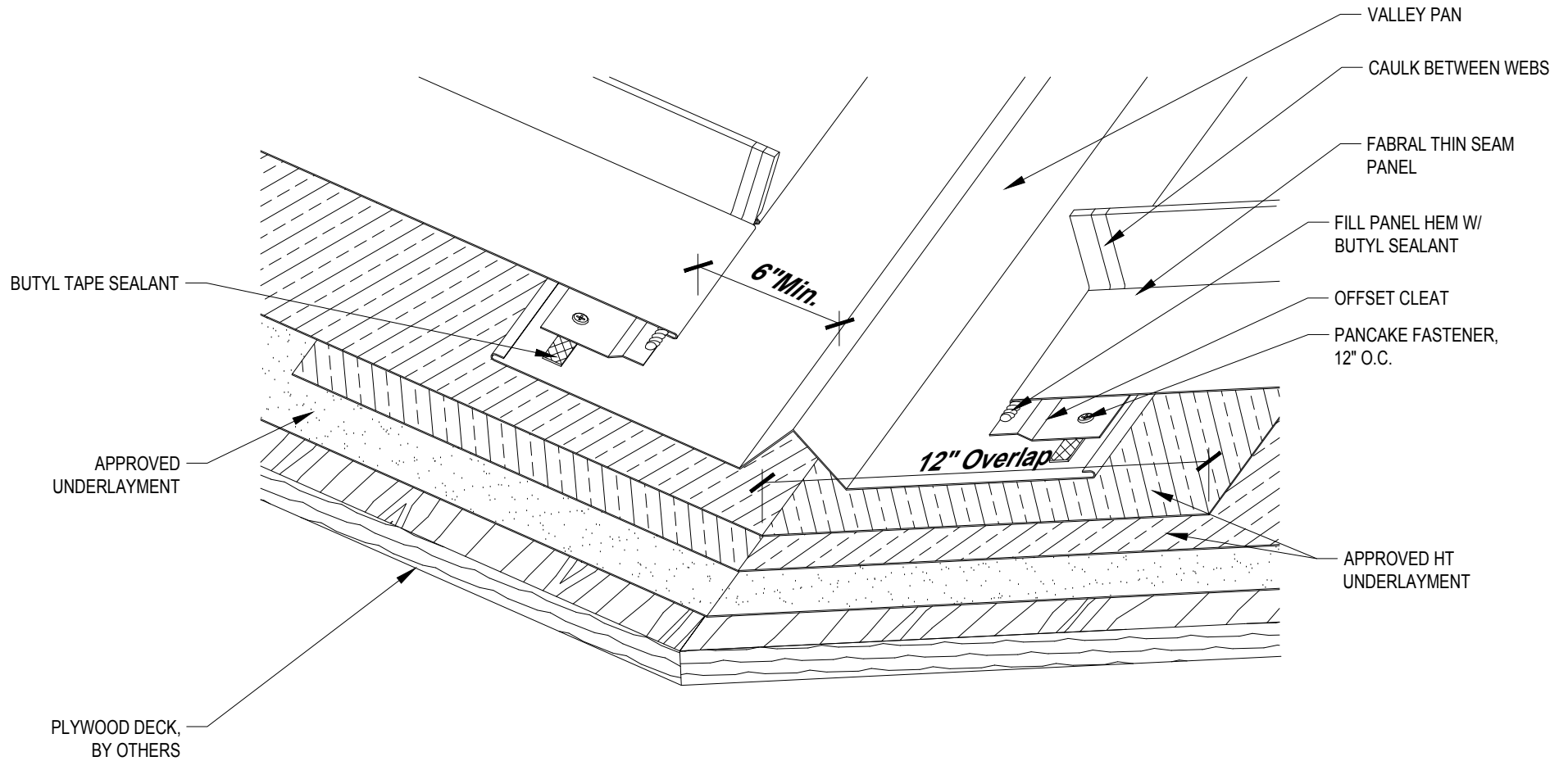
THIS DRAWING IS THE PROPERTY OF FABRAL, INC. THE USE OF THIS DRAWING WITHOUT THE EXPRESS PERMISSION OF FABRAL IS PROHIBITED.

**FABRAL, INC.**  
 3449 Hempland Road  
 Lancaster, PA 17601  
 800-477-2741

**VENTED HEADWALL DETAIL (VHW-1)**

**THIN SEAM**

Issued:  
 APRIL 2012



**FABRAL**

Project:

Contractor:

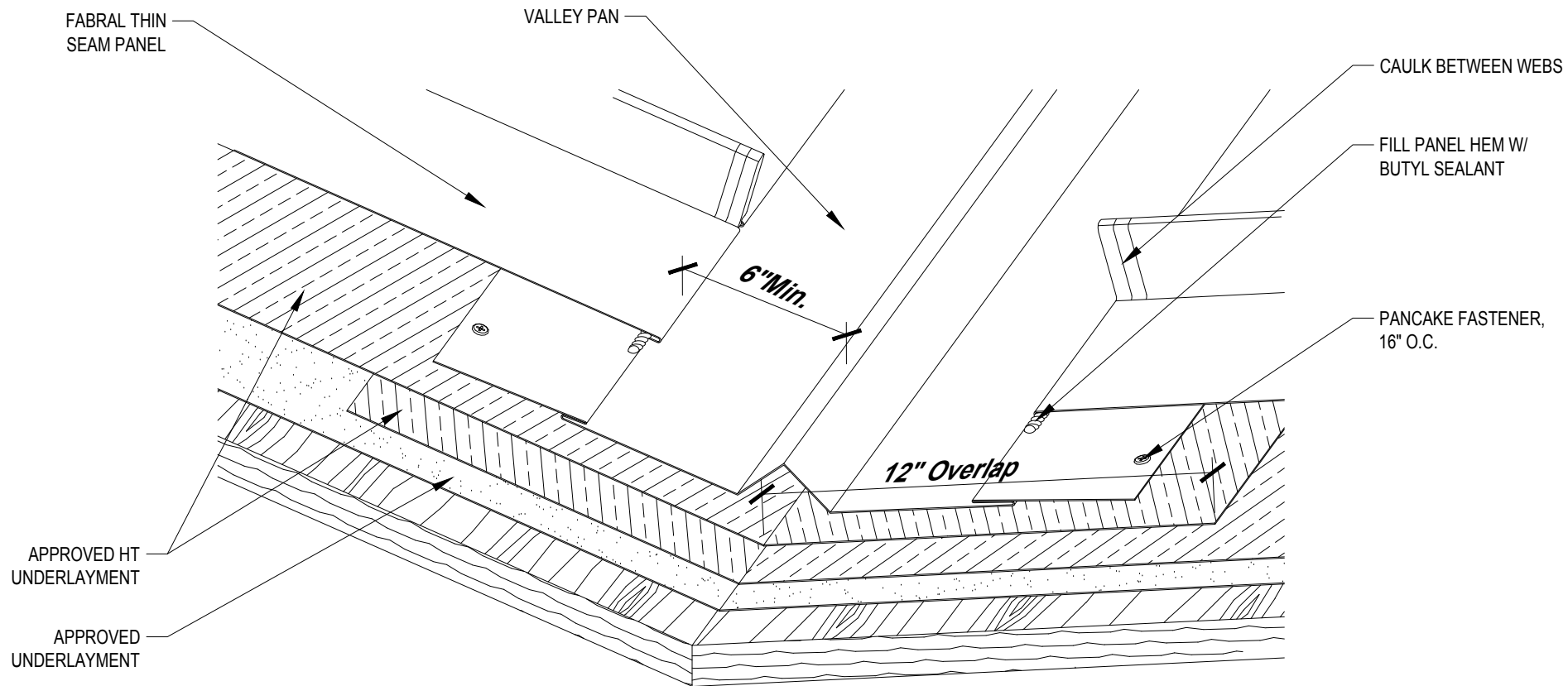
THIS DRAWING IS THE PROPERTY OF FABRAL, INC. THE USE OF THIS DRAWING WITHOUT THE EXPRESS PERMISSION OF FABRAL IS PROHIBITED.

**FABRAL, INC.**  
 3449 Hempland Road  
 Lancaster, PA 17601  
 800-477-2741

**VALLEY DETAIL (V-1)**

**THIN SEAM**

Issued:  
 APRIL 2012



**FABRAL**

Project:

Contractor:

THIS DRAWING IS THE PROPERTY OF FABRAL, INC. THE USE OF THIS DRAWING WITHOUT THE EXPRESS PERMISSION OF FABRAL IS PROHIBITED.

**FABRAL, INC.**  
 3449 Hempland Road  
 Lancaster, PA 17601  
 800-477-2741

**VALLEY DETAIL (V-2)**

**THIN SEAM**

Issued:  
 APRIL 2012

APPROVED UNDERLAYMENT, TURN DOWN VERTICALLY 3" MIN.

PLYWOOD DECK, BY OTHERS

FASCIA BOARD, BY OTHERS

FASCIA WRAP, OPTIONAL

FABRAL THIN SEAM PANEL

CAULK BETWEEN WEBS

PANCAKE FASTENER, 12" O.C.

BUTYL TAPE SEALANT (ONLY REQ'D FOR SLOPES 2:12 OR LESS)

EAVE FLASHING

FASTENER, 12" O.C.

CLEAT OR FACE SCREW THROUGH FLASHING

GUTTER

STRAP / HANGER

**FABRAL**

Project:

Contractor:

THIS DRAWING IS THE PROPERTY OF FABRAL, INC. THE USE OF THIS DRAWING WITHOUT THE EXPRESS PERMISSION OF FABRAL IS PROHIBITED.

**FABRAL, INC.**  
3449 Hempland Road  
Lancaster, PA 17601  
800-477-2741

**SLIDING EAVE W/ GUTTER DETAIL (EG-1)**

**THIN SEAM**

Issued:

APRIL 2012

APPROVED  
UNDERLAYMENT, TURN  
DOWN VERTICALLY 3" MIN.

FABRAL THIN  
SEAM PANEL

PLYWOOD DECK, BY  
OTHERS

CAULK BETWEEN WEBS

BUTYL TAPE SEALANT (ONLY  
REQ'D FOR SLOPES 2:12 OR LESS)

FASCIA BOARD,  
BY OTHERS

PANCAKE FASTENER, 12" O.C.

EAVE FLASHING

FASTENER, 12" O.C.

FASCIA WRAP,  
OPTIONAL

CLEAT OR FACE SCREW  
THROUGH FLASHING

**FABRAL**

Project:

Contractor:

THIS DRAWING IS THE  
PROPERTY OF FABRAL,  
INC. THE USE OF THIS  
DRAWING WITHOUT THE  
EXPRESS PERMISSION OF  
FABRAL IS PROHIBITED.

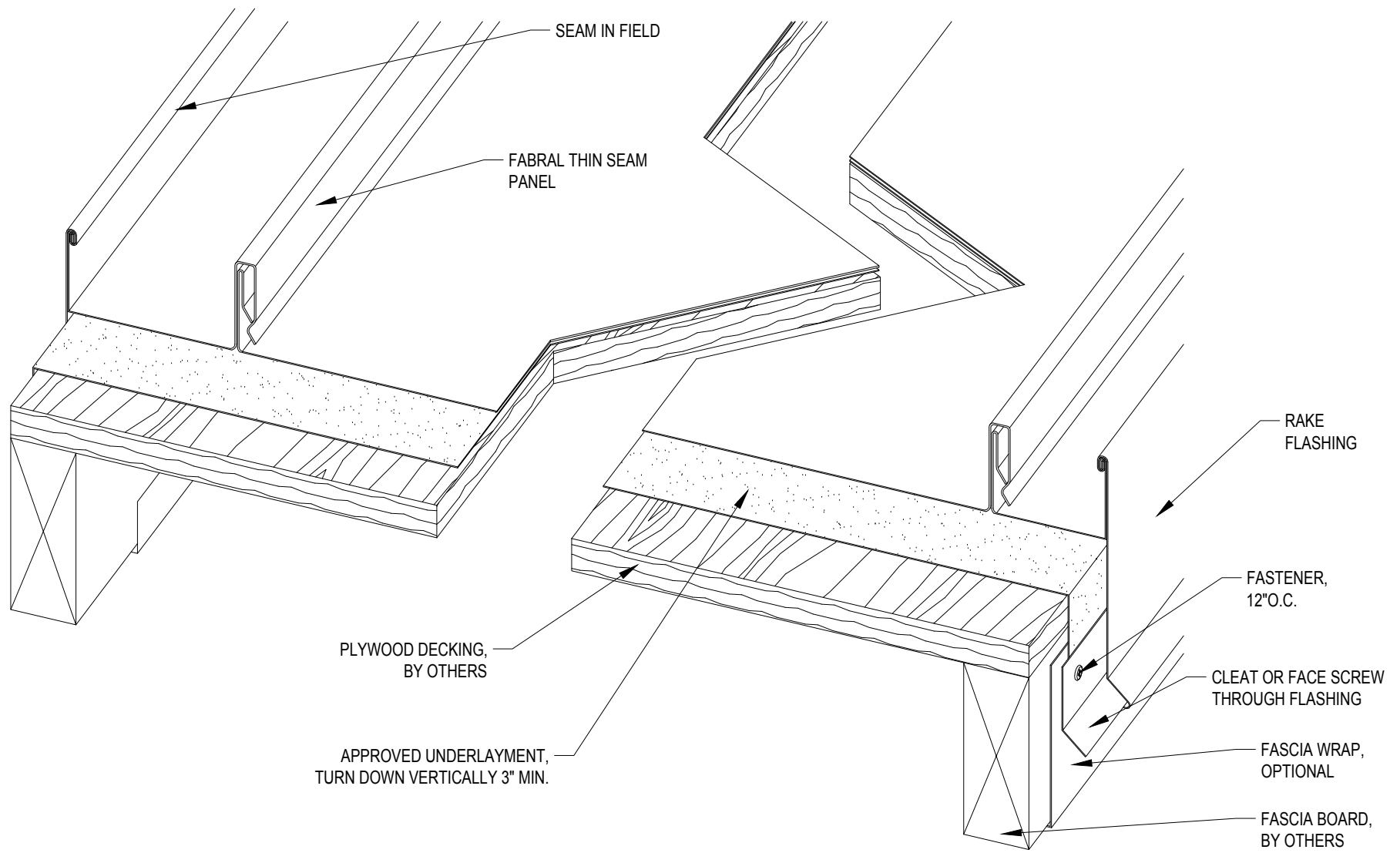
**FABRAL, INC.**  
3449 Hempland Road  
Lancaster, PA 17601  
800-477-2741

**SLIDING EAVE DETAIL (E-1)**

**THIN SEAM**

Issued:

APRIL 2012



**FABRAL**

Project:

Contractor:

THIS DRAWING IS THE PROPERTY OF FABRAL, INC. THE USE OF THIS DRAWING WITHOUT THE EXPRESS PERMISSION OF FABRAL IS PROHIBITED.

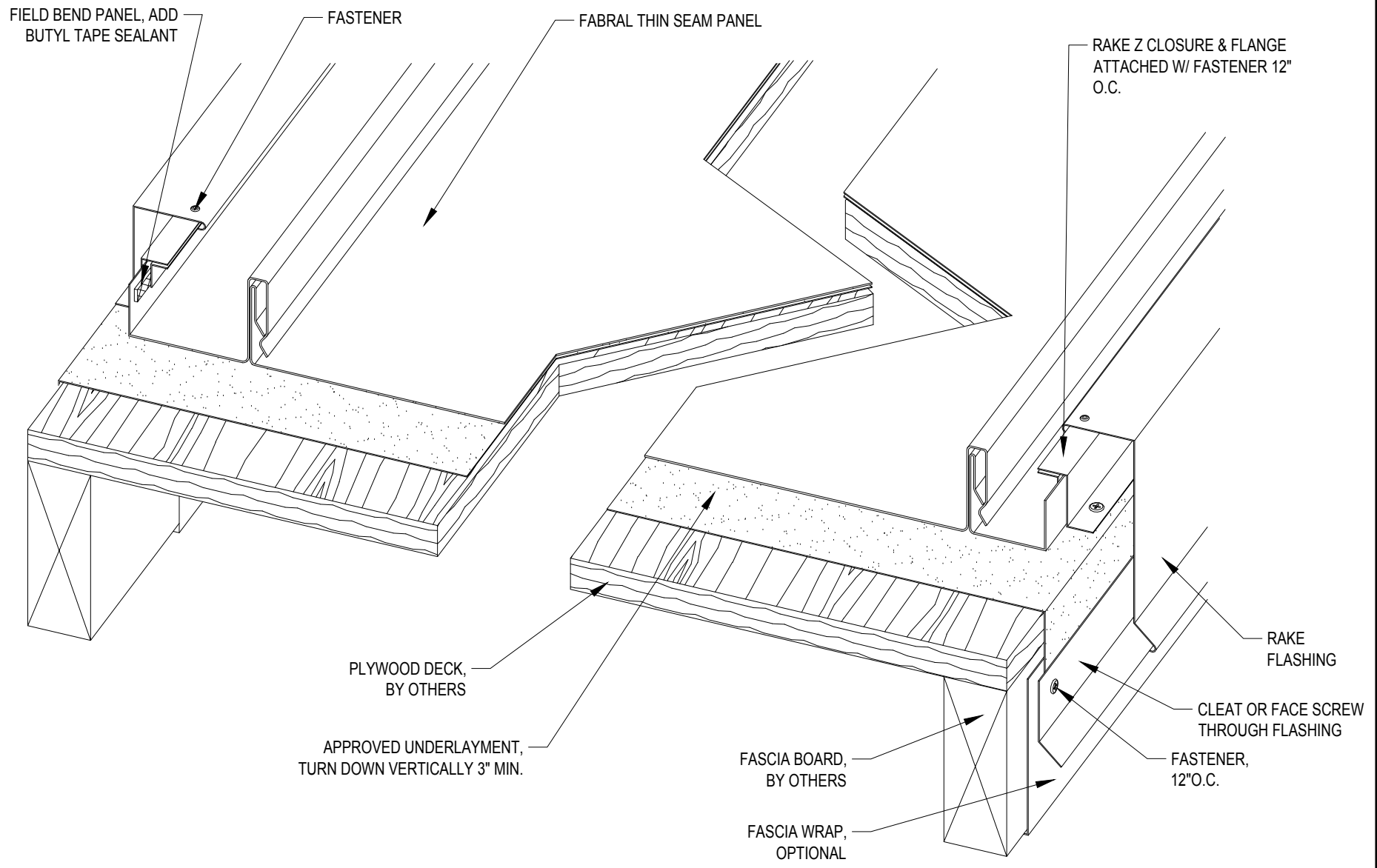
**FABRAL, INC.**  
 3449 Hempland Road  
 Lancaster, PA 17601  
 800-477-2741

**SLIDING GABLE DETAIL (G-1)**

**THIN SEAM**

Issued:  
 APRIL 2012





**FABRAL**

Project:

Contractor:

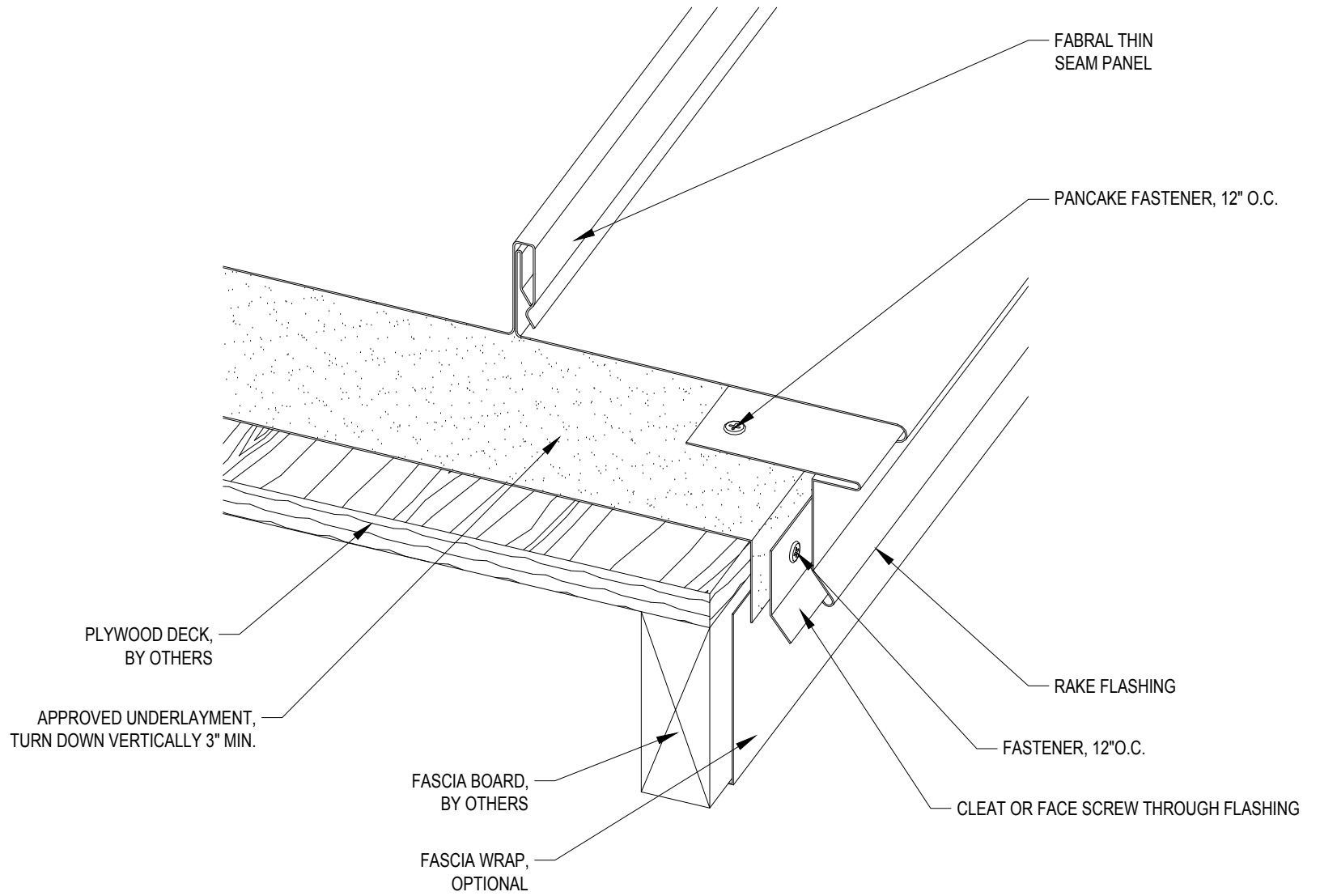
THIS DRAWING IS THE PROPERTY OF FABRAL, INC. THE USE OF THIS DRAWING WITHOUT THE EXPRESS PERMISSION OF FABRAL IS PROHIBITED.

**FABRAL, INC.**  
 3449 Hempland Road  
 Lancaster, PA 17601  
 800-477-2741

**SLIDING GABLE DETAIL (G-2)**

**THIN SEAM**

Issued:  
 APRIL 2012



**FABRAL**

Project:

Contractor:

THIS DRAWING IS THE PROPERTY OF FABRAL, INC. THE USE OF THIS DRAWING WITHOUT THE EXPRESS PERMISSION OF FABRAL IS PROHIBITED.

**FABRAL, INC.**  
 3449 Hempland Road  
 Lancaster, PA 17601  
 800-477-2741

**SLIDING GABLE DETAIL (G-3)**

**THIN SEAM**

Issued:  
 APRIL 2012

FASTENER, 16" O.C.

RAKE FLASHING

FABRAL THIN SEAM PANEL, BOX  
PANEL END

APPROVED SEALANT

FASTENERS, 12" O.C.

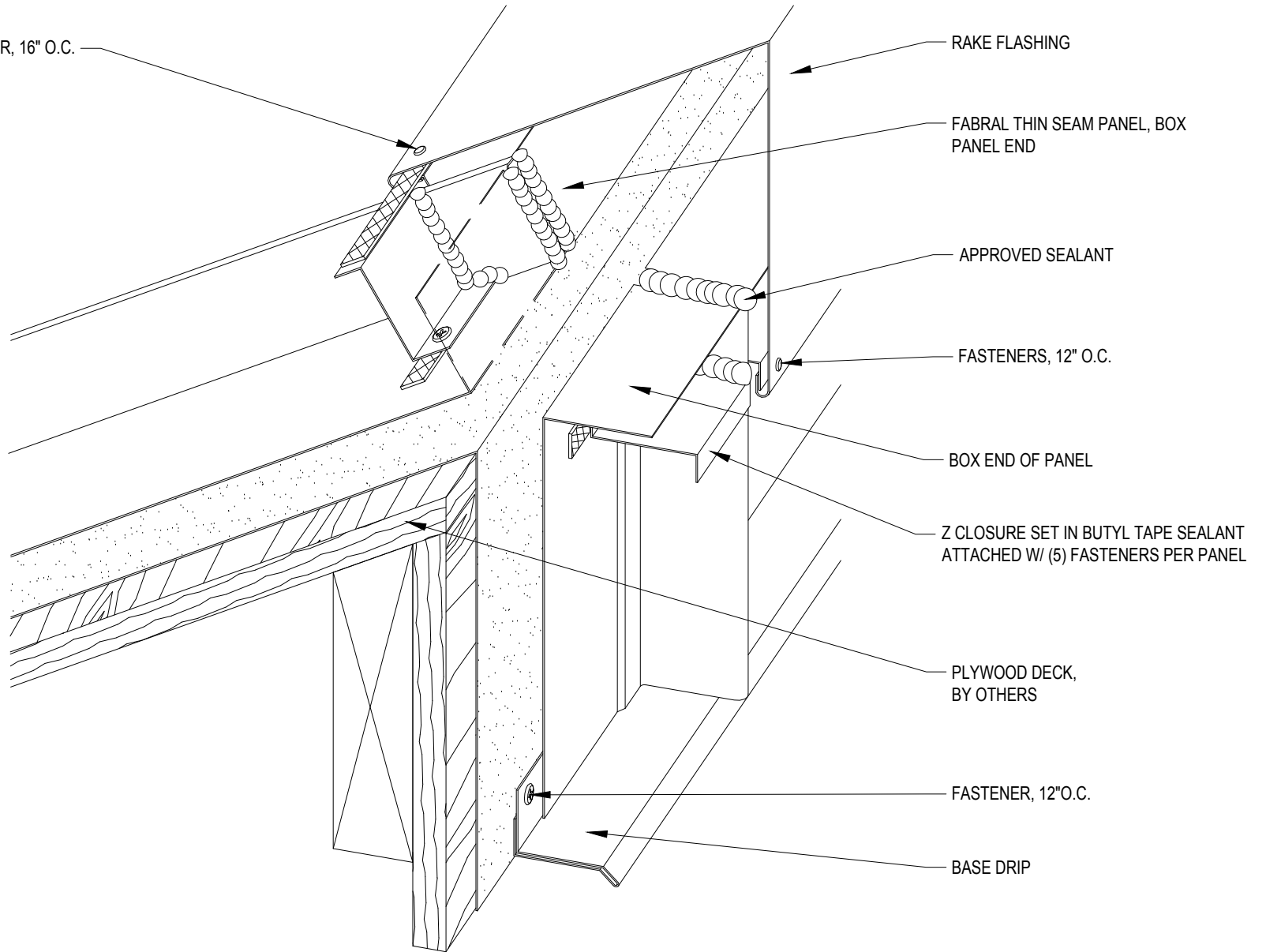
BOX END OF PANEL

Z CLOSURE SET IN BUTYL TAPE SEALANT  
ATTACHED W/ (5) FASTENERS PER PANEL

PLYWOOD DECK,  
BY OTHERS

FASTENER, 12" O.C.

BASE DRIP



**FABRAL**

Project:

Contractor:

THIS DRAWING IS THE  
PROPERTY OF FABRAL,  
INC. THE USE OF THIS  
DRAWING WITHOUT THE  
EXPRESS PERMISSION OF  
FABRAL IS PROHIBITED.

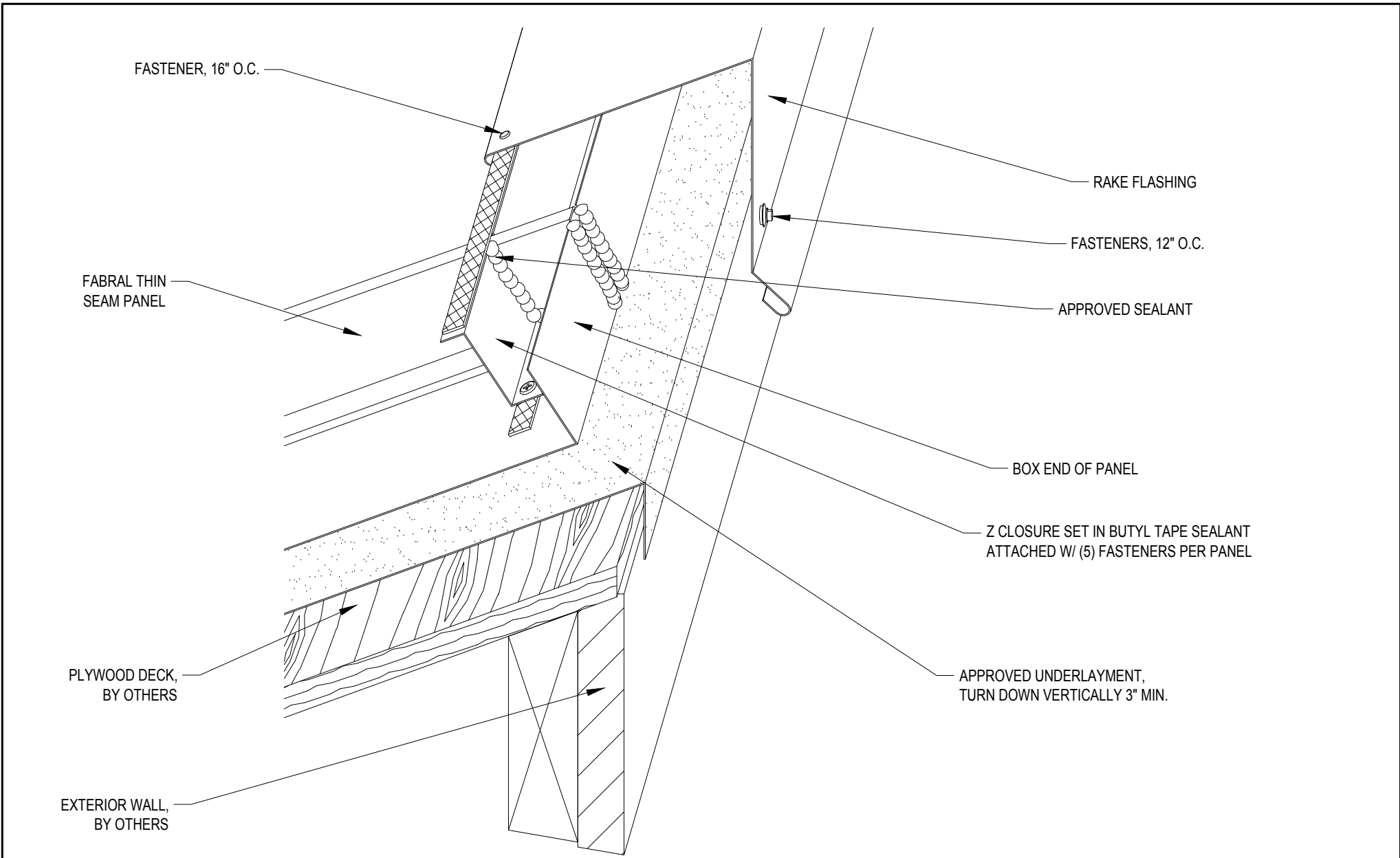
**FABRAL, INC.**  
3449 Hempland Road  
Lancaster, PA 17601  
800-477-2741

**HIGH SIDE EAVE DETAIL (HSE-1)**

**THIN SEAM**

Issued:

APRIL 2012



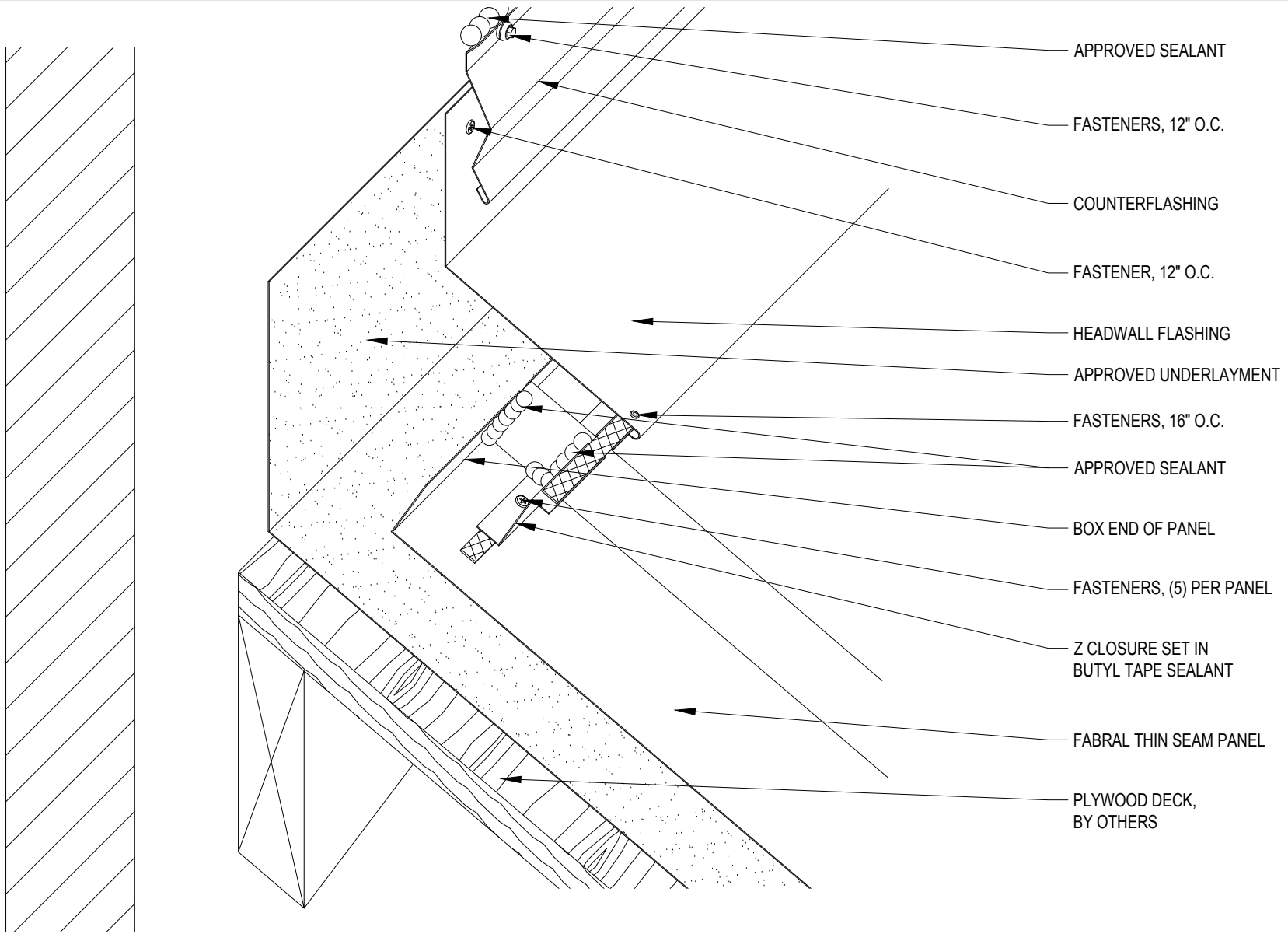
**FABRAL**

Project:  
 Contractor:  
**HIGH SIDE EAVE DETAIL (HSE-2)**

THIS DRAWING IS THE PROPERTY OF FABRAL, INC. THE USE OF THIS DRAWING WITHOUT THE EXPRESS PERMISSION OF FABRAL IS PROHIBITED.

**FABRAL, INC.**  
 3449 Hempland Road  
 Lancaster, PA 17601  
 800-477-2741  
 Issued:  
 APRIL 2012

**THIN SEAM**



**FABRAL**

Project:

Contractor:

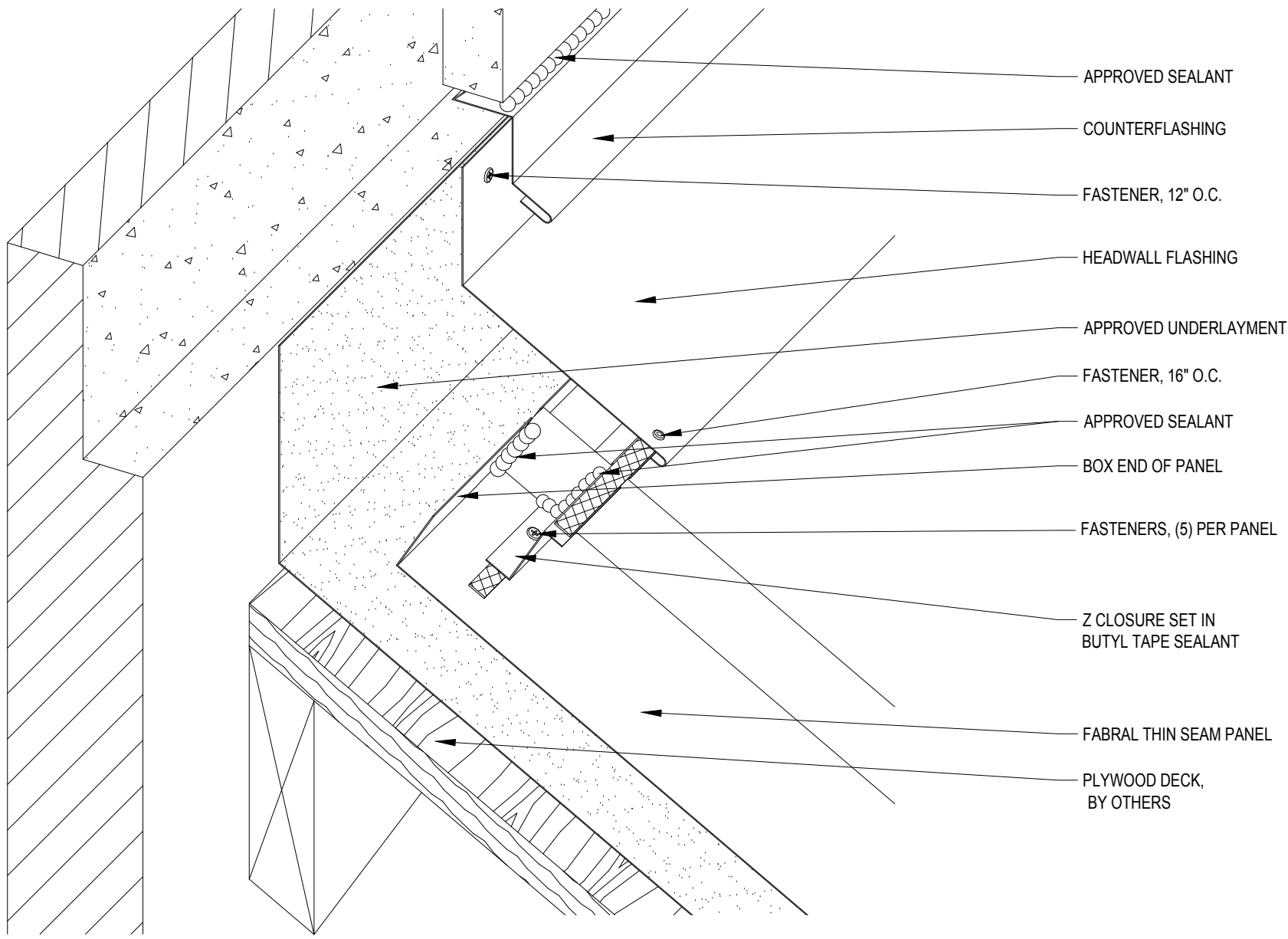
**HEADWALL (ENDWALL) DETAIL (HW-1)**

THIS DRAWING IS THE PROPERTY OF FABRAL, INC. THE USE OF THIS DRAWING WITHOUT THE EXPRESS PERMISSION OF FABRAL IS PROHIBITED.

**FABRAL, INC.**  
 3449 Hempland Road  
 Lancaster, PA 17601  
 800-477-2741

**THIN SEAM**

Issued:  
 APRIL 2012



**FABRAL**

Project:

Contractor:

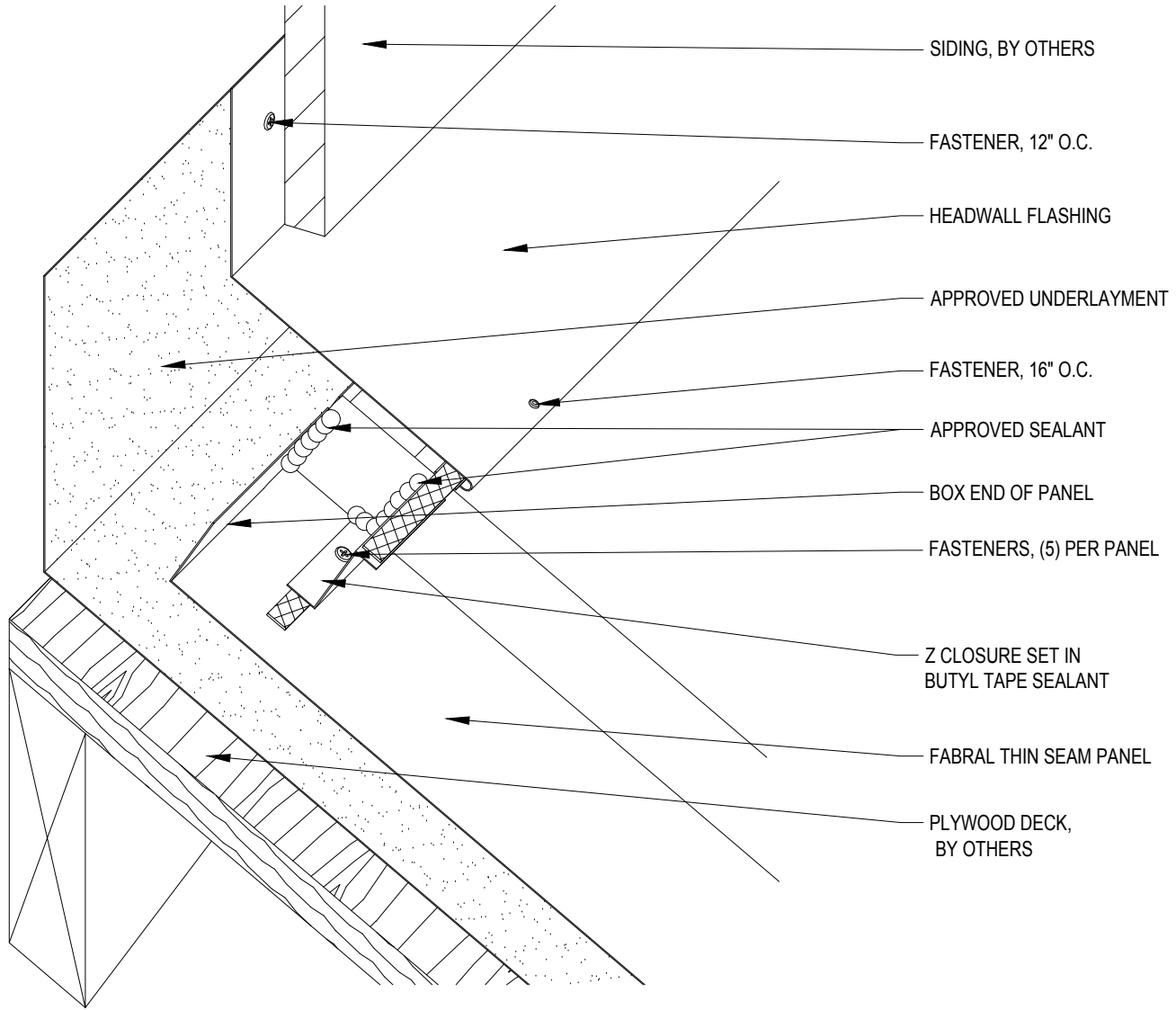
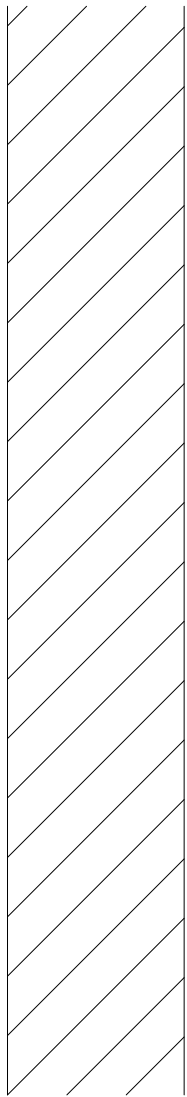
THIS DRAWING IS THE PROPERTY OF FABRAL, INC. THE USE OF THIS DRAWING WITHOUT THE EXPRESS PERMISSION OF FABRAL IS PROHIBITED.

**FABRAL, INC.**  
 3449 Hempland Road  
 Lancaster, PA 17601  
 800-477-2741

**HEADWALL (ENDWALL) DETAIL (HW-2)**

**THIN SEAM**

Issued:  
 APRIL 2012



**FABRAL**

Project:

Contractor:

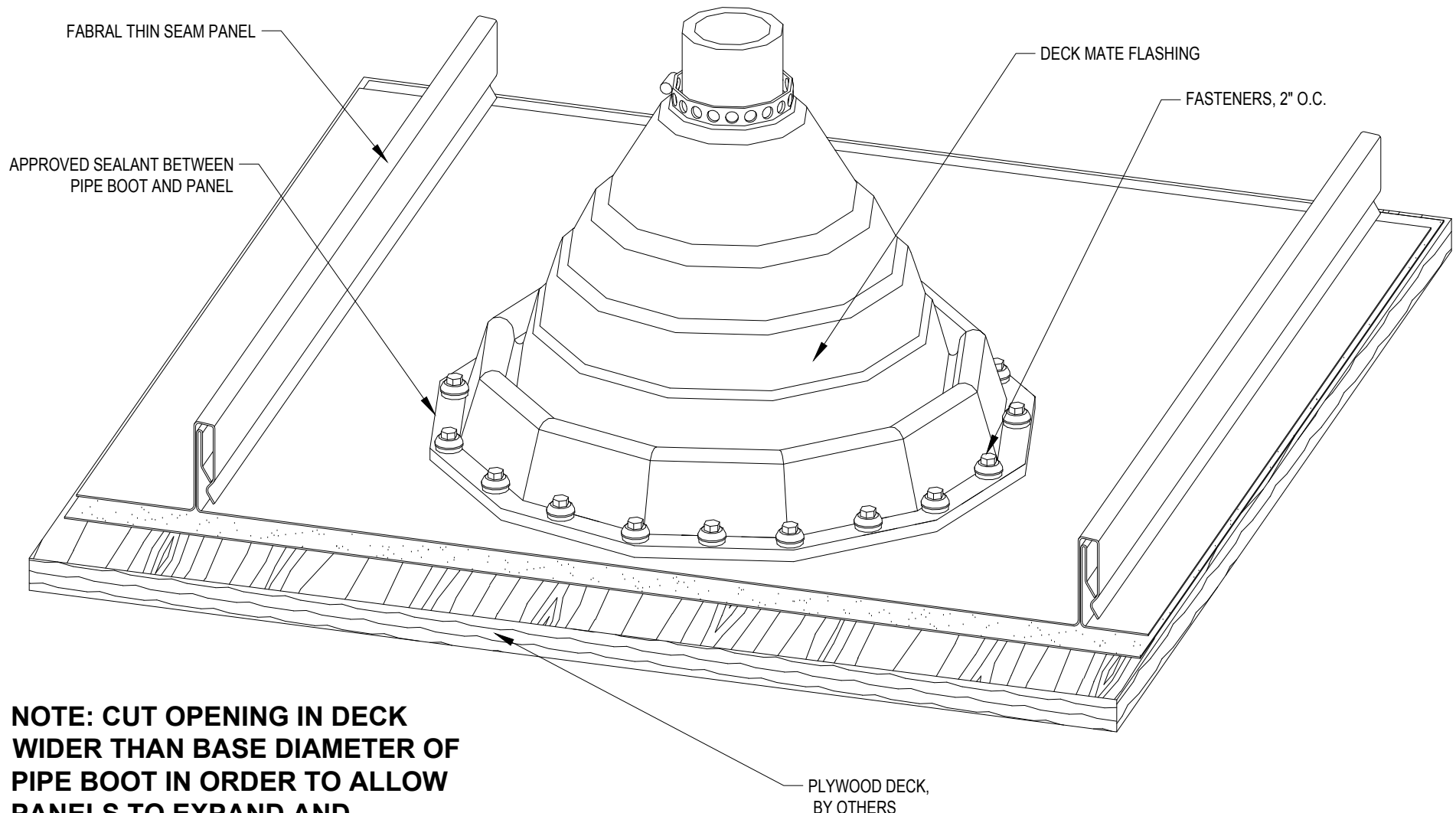
THIS DRAWING IS THE PROPERTY OF FABRAL, INC. THE USE OF THIS DRAWING WITHOUT THE EXPRESS PERMISSION OF FABRAL IS PROHIBITED.

**FABRAL, INC.**  
 3449 Hempland Road  
 Lancaster, PA 17601  
 800-477-2741

**HEADWALL (ENDWALL) DETAIL (HW-3)**

**THIN SEAM**

Issued:  
 APRIL 2012



**NOTE: CUT OPENING IN DECK WIDER THAN BASE DIAMETER OF PIPE BOOT IN ORDER TO ALLOW PANELS TO EXPAND AND CONTRACT.**

**FABRAL**

Project:	
Contractor:	
<b>PENETRATION DETAIL (P-1)</b>	

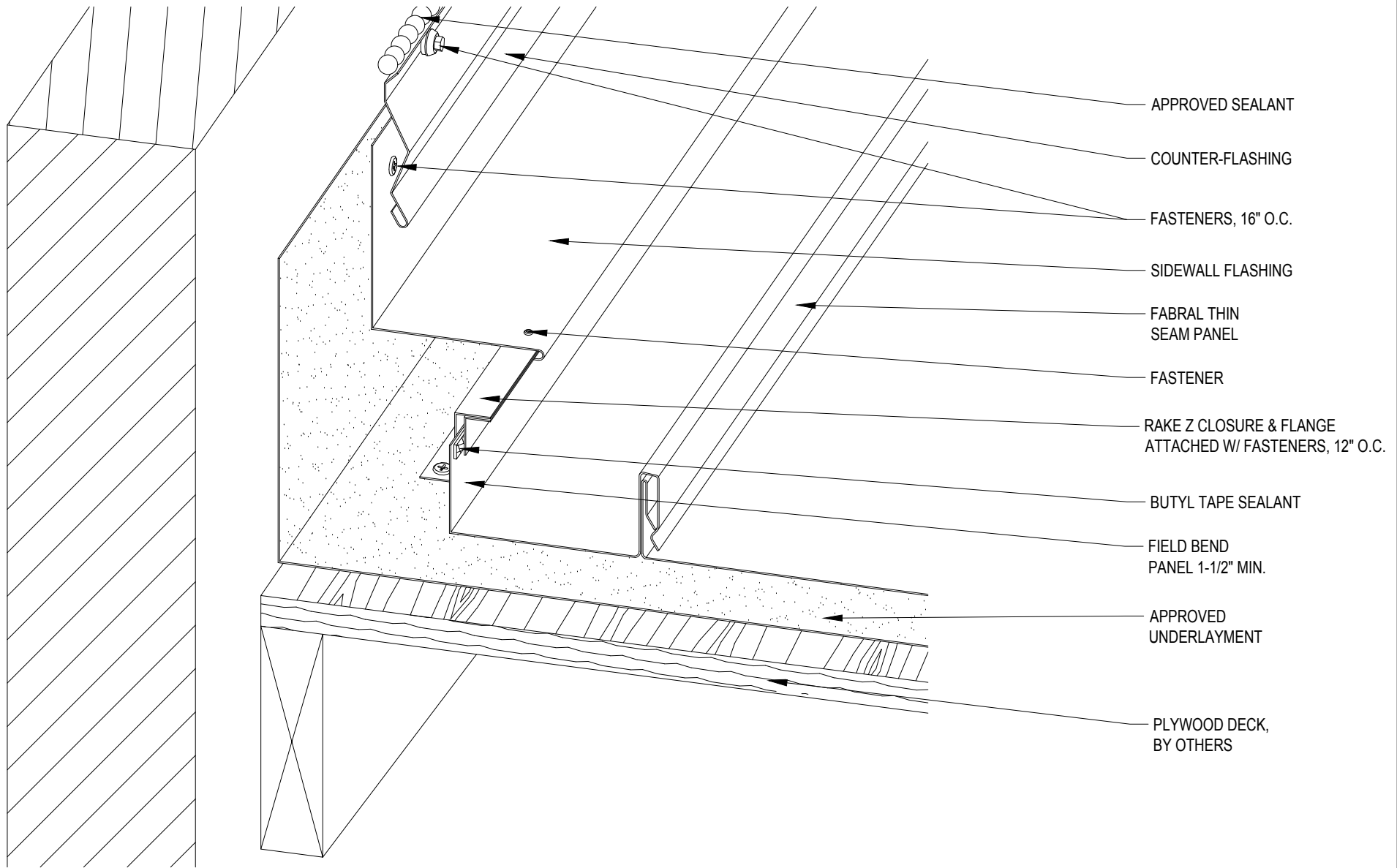
THIS DRAWING IS THE PROPERTY OF FABRAL, INC. THE USE OF THIS DRAWING WITHOUT THE EXPRESS PERMISSION OF FABRAL IS PROHIBITED.

**FABRAL, INC.**  
 3449 Hempland Road  
 Lancaster, PA 17601  
 800-477-2741

**THIN SEAM**

Issued:  
 APRIL 2012





**FABRAL**

Project:

Contractor:

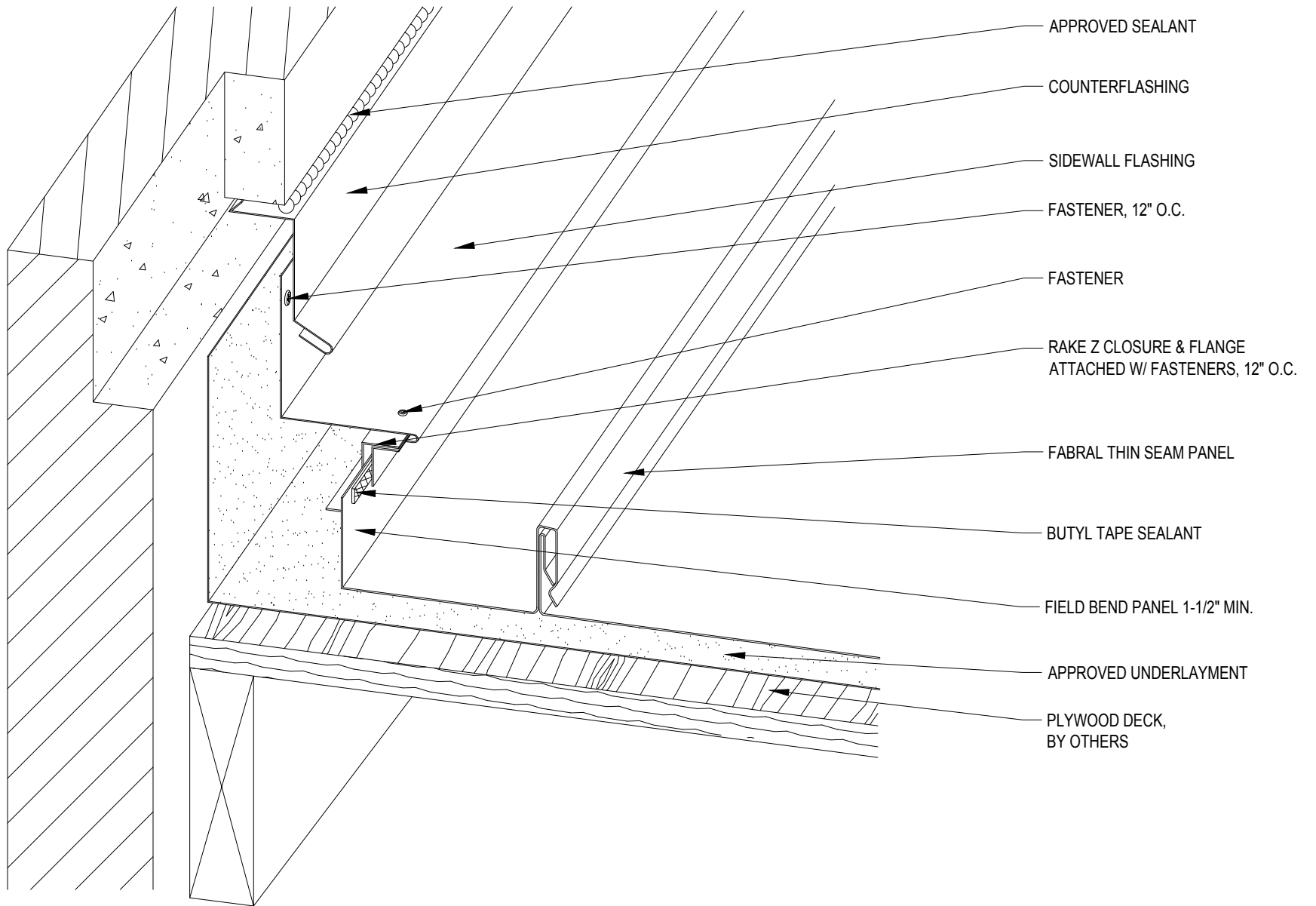
THIS DRAWING IS THE PROPERTY OF FABRAL, INC. THE USE OF THIS DRAWING WITHOUT THE EXPRESS PERMISSION OF FABRAL IS PROHIBITED.

**FABRAL, INC.**  
 3449 Hempland Road  
 Lancaster, PA 17601  
 800-477-2741

**SIDEWALL DETAIL (SW-1)**

**THIN SEAM**

Issued:  
 APRIL 2012



**FABRAL**

Project:

Contractor:

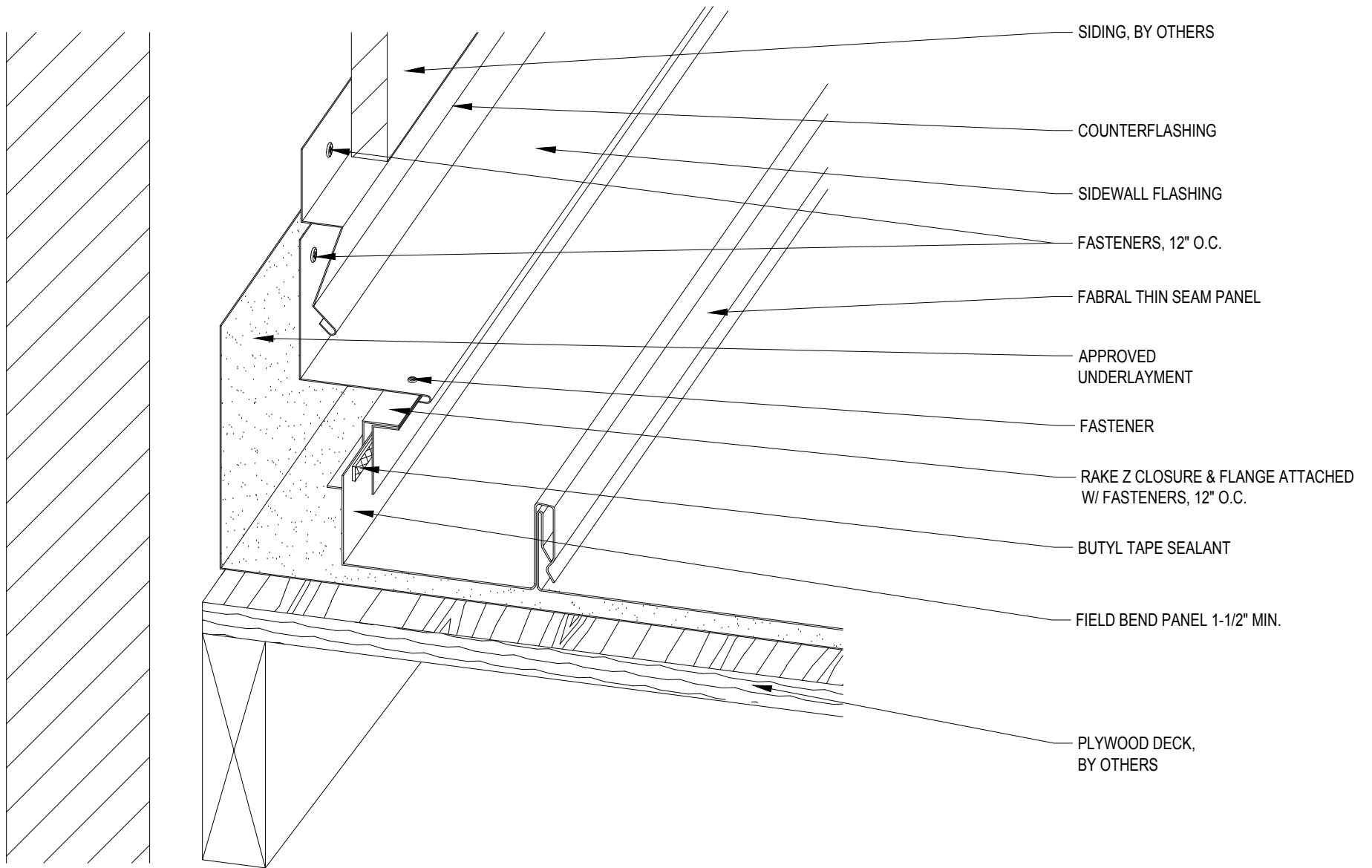
THIS DRAWING IS THE PROPERTY OF FABRAL, INC. THE USE OF THIS DRAWING WITHOUT THE EXPRESS PERMISSION OF FABRAL IS PROHIBITED.

**FABRAL, INC.**  
 3449 Hempland Road  
 Lancaster, PA 17601  
 800-477-2741

**SIDEWALL DETAIL (SW-2)**

**THIN SEAM**

Issued:  
 APRIL 2012



**FABRAL**

Project:

Contractor:

THIS DRAWING IS THE PROPERTY OF FABRAL, INC. THE USE OF THIS DRAWING WITHOUT THE EXPRESS PERMISSION OF FABRAL IS PROHIBITED.

**FABRAL, INC.**  
 3449 Hempland Road  
 Lancaster, PA 17601  
 800-477-2741

**SIDEWALL DETAIL (SW-3)**

**THIN SEAM**

Issued:  
 APRIL 2012

APPROVED  
UNDERLAYMENT, TURN  
DOWN VERTICALLY 3" MIN.

PLYWOOD DECK,  
BY OTHERS

FABRAL THIN SEAM  
PANEL

CAULK BETWEEN WEBS

BUTYL TAPE SEALANT

PANCAKE FASTENER, 12" O.C.

EAVE FLASHING

FASTENER, 12" O.C.

CLEAT OR FACE SCREW  
THROUGH FLASHING

FASCIA WRAP,  
OPTIONAL

FASCIA BOARD,  
BY OTHERS

**FABRAL**

Project:

Contractor:

THIS DRAWING IS THE  
PROPERTY OF FABRAL,  
INC. THE USE OF THIS  
DRAWING WITHOUT THE  
EXPRESS PERMISSION OF  
FABRAL IS PROHIBITED.

**FABRAL, INC.**  
3449 Hempland Road  
Lancaster, PA 17601  
800-477-2741

**FIXED EAVE DETAIL (FE-1)**

**THIN SEAM**

Issued:

APRIL 2012

APPROVED  
UNDERLAYMENT, TURN  
DOWN VERTICALLY 3" MIN.

PLYWOOD DECK,  
BY OTHERS

FABRAL THIN SEAM  
PANEL

CAULK BETWEEN WEBS

BUTYL TAPE SEALANT

PANCAKE FASTENER,  
12" O.C.

BUTYL TAPE SEALANT

EAVE FLASHING

FASTENER, 12" O.C.

CLEAT OR FACE SCREW  
THROUGH FLASHING

FASCIA WRAP,  
OPTIONAL

FASCIA BOARD,  
BY OTHERS

**FABRAL**

Project:

Contractor:

THIS DRAWING IS THE  
PROPERTY OF FABRAL,  
INC. THE USE OF THIS  
DRAWING WITHOUT THE  
EXPRESS PERMISSION OF  
FABRAL IS PROHIBITED.

**FABRAL, INC.**

3449 Hempland Road

Lancaster, PA 17601

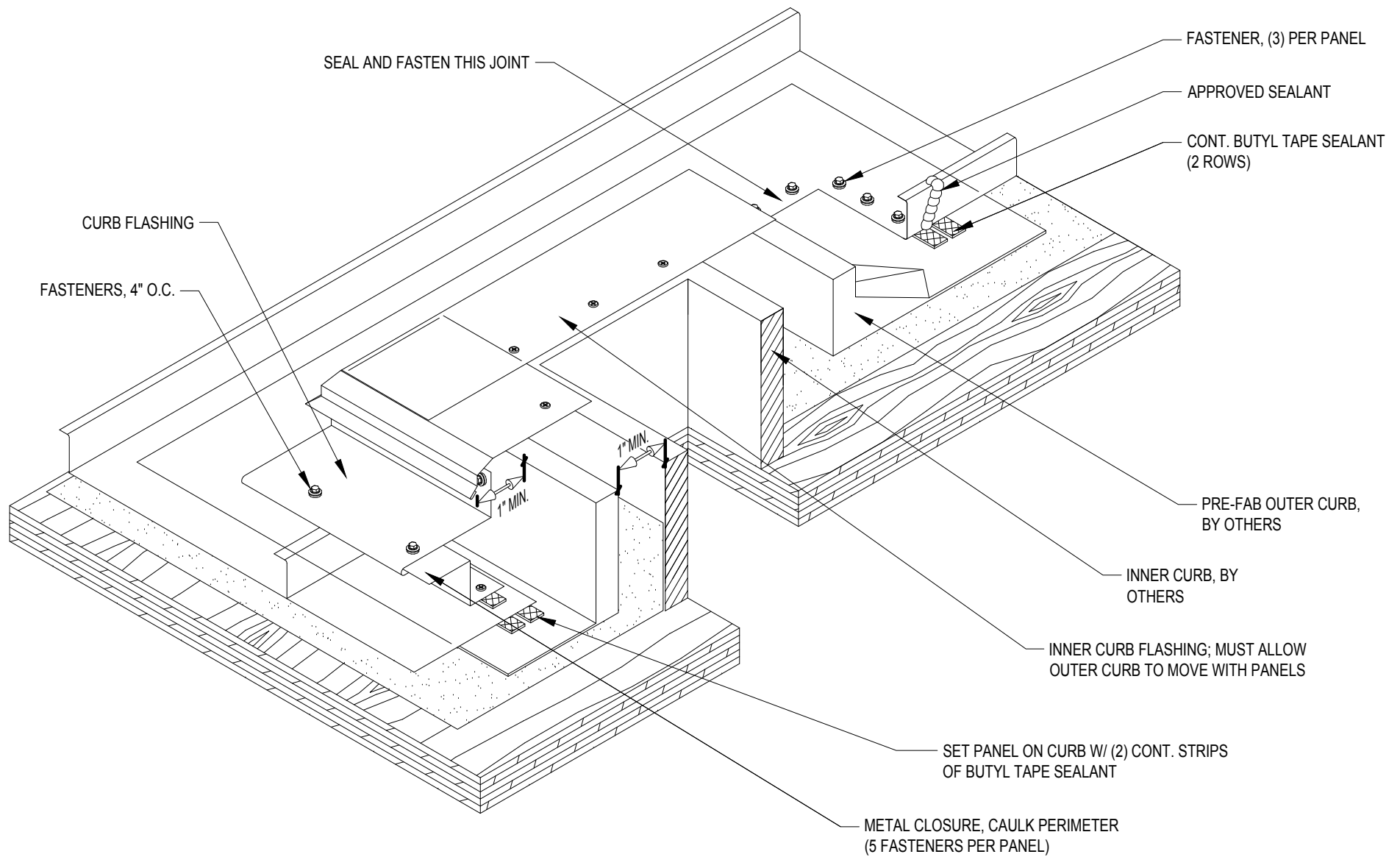
800-477-2741

**SLIDING EAVE DETAIL (E-2)**

**THIN SEAM**

Issued:

APRIL 2012



**FABRAL**

Project:

Contractor:

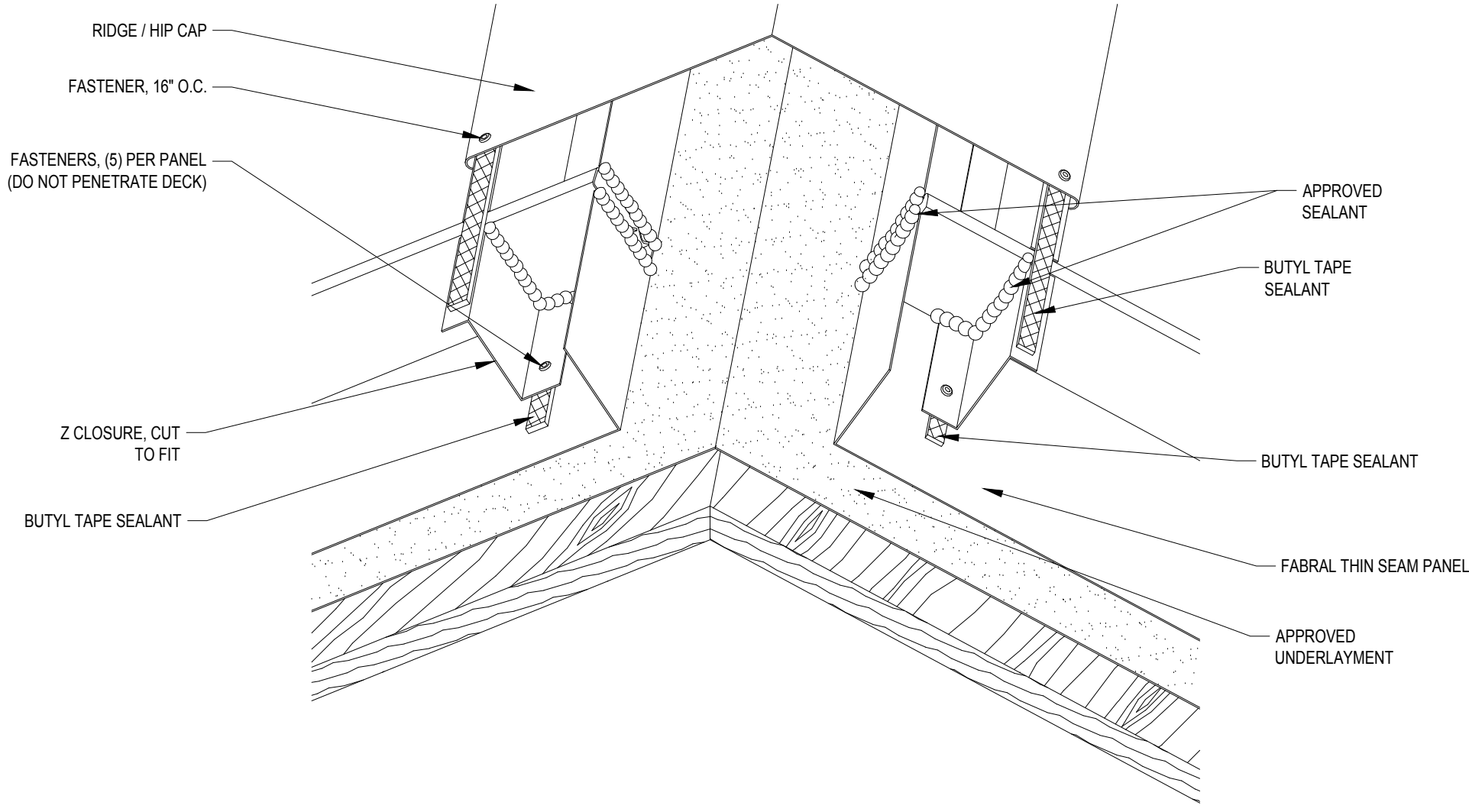
THIS DRAWING IS THE PROPERTY OF FABRAL, INC. THE USE OF THIS DRAWING WITHOUT THE EXPRESS PERMISSION OF FABRAL IS PROHIBITED.

**FABRAL, INC.**  
 3449 Hempland Road  
 Lancaster, PA 17601  
 800-477-2741

**CURB DETAIL (CB-1)**

**THIN SEAM**

Issued:  
 APRIL 2012



**FABRAL**

Project:

Contractor:

THIS DRAWING IS THE PROPERTY OF FABRAL, INC. THE USE OF THIS DRAWING WITHOUT THE EXPRESS PERMISSION OF FABRAL IS PROHIBITED.

**FABRAL, INC.**  
 3449 Hempland Road  
 Lancaster, PA 17601  
 800-477-2741

**SLIDING HIP/RIDGE DETAIL (HR-2)**

**THIN SEAM**

Issued:  
 APRIL 2012

APPROVED  
UNDERLAYMENT, TURN  
DOWN VERTICALLY 3" MIN.

FABRAL THIN  
SEAM PANEL

PLYWOOD DECK,  
BY OTHERS

CAULK BETWEEN WEBS

BUTYL TAPE SEALANT (ONLY  
REQ'D FOR SLOPES 2:12 OR LESS)

PANCAKE FASTENER,  
16" O.C.

EAVE FLASHING

FASTENER, 12" O.C.

CLEAT

FASCIA WRAP,  
OPTIONAL

FASCIA BOARD,  
BY OTHERS

**FABRAL**

Project:

Contractor:

THIS DRAWING IS THE  
PROPERTY OF FABRAL,  
INC. THE USE OF THIS  
DRAWING WITHOUT THE  
EXPRESS PERMISSION OF  
FABRAL IS PROHIBITED.

**FABRAL, INC.**  
3449 Hempland Road  
Lancaster, PA 17601  
800-477-2741

**FIXED EAVE DETAIL (FE-2)**

**THIN SEAM**

Issued:

APRIL 2012