

FABRAL

Project:

Contractor:

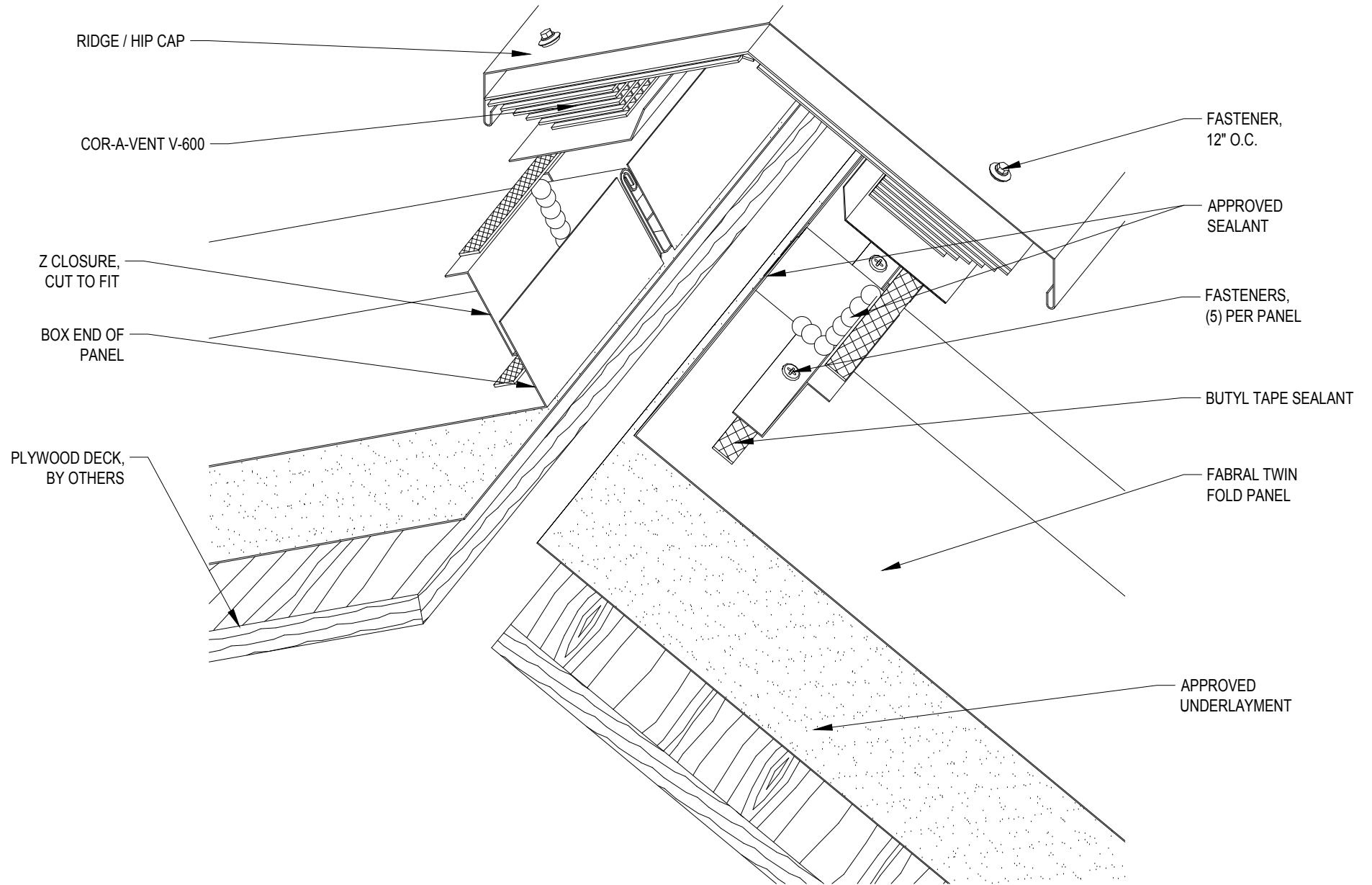
THIS DRAWING IS THE PROPERTY OF FABRAL, INC. THE USE OF THIS DRAWING WITHOUT THE EXPRESS PERMISSION OF FABRAL IS PROHIBITED.

FABRAL, INC.
 3449 Hempland Road
 Lancaster, PA 17601
 800-477-2741

FIXED HIP/RIDGE DETAIL (HR-1)

TWIN FOLD

Issued:
 APRIL 2012



FABRAL

Project:

Contractor:

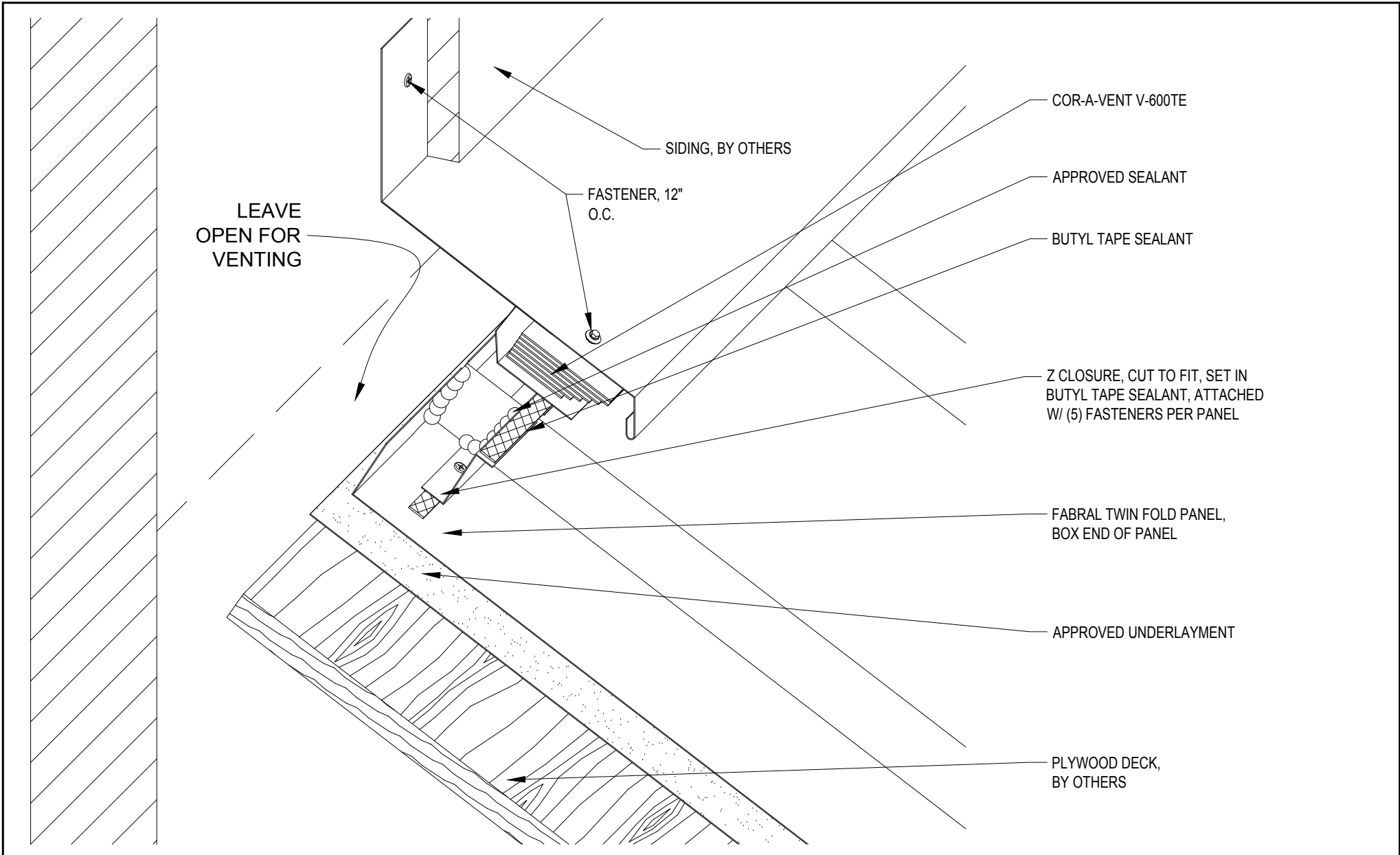
THIS DRAWING IS THE PROPERTY OF FABRAL, INC. THE USE OF THIS DRAWING WITHOUT THE EXPRESS PERMISSION OF FABRAL IS PROHIBITED.

FABRAL, INC.
 3449 Hempland Road
 Lancaster, PA 17601
 800-477-2741

VENTED HIP/RIDGE DETAIL (VHR-1)

TWIN FOLD

Issued:
 APRIL 2012



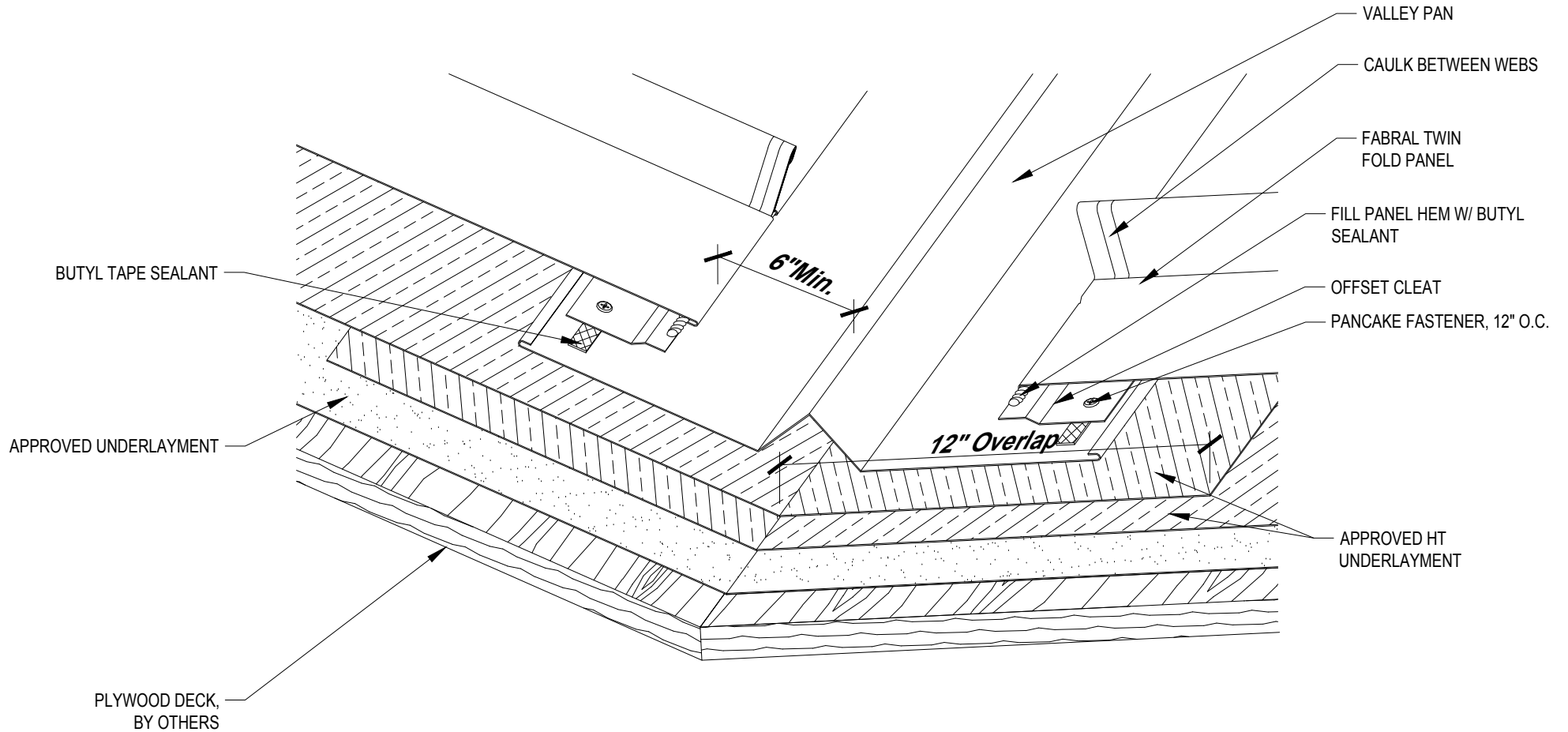
FABRAL

Project:
 Contractor:
HEADWALL VENTED DETAIL (HWV-1)

THIS DRAWING IS THE PROPERTY OF FABRAL, INC. THE USE OF THIS DRAWING WITHOUT THE EXPRESS PERMISSION OF FABRAL IS PROHIBITED.

FABRAL, INC.
 3449 Hempland Road
 Lancaster, PA 17601
 800-477-2741
 Issued:
 APRIL 2012

TWIN FOLD



FABRAL

Project:

Contractor:

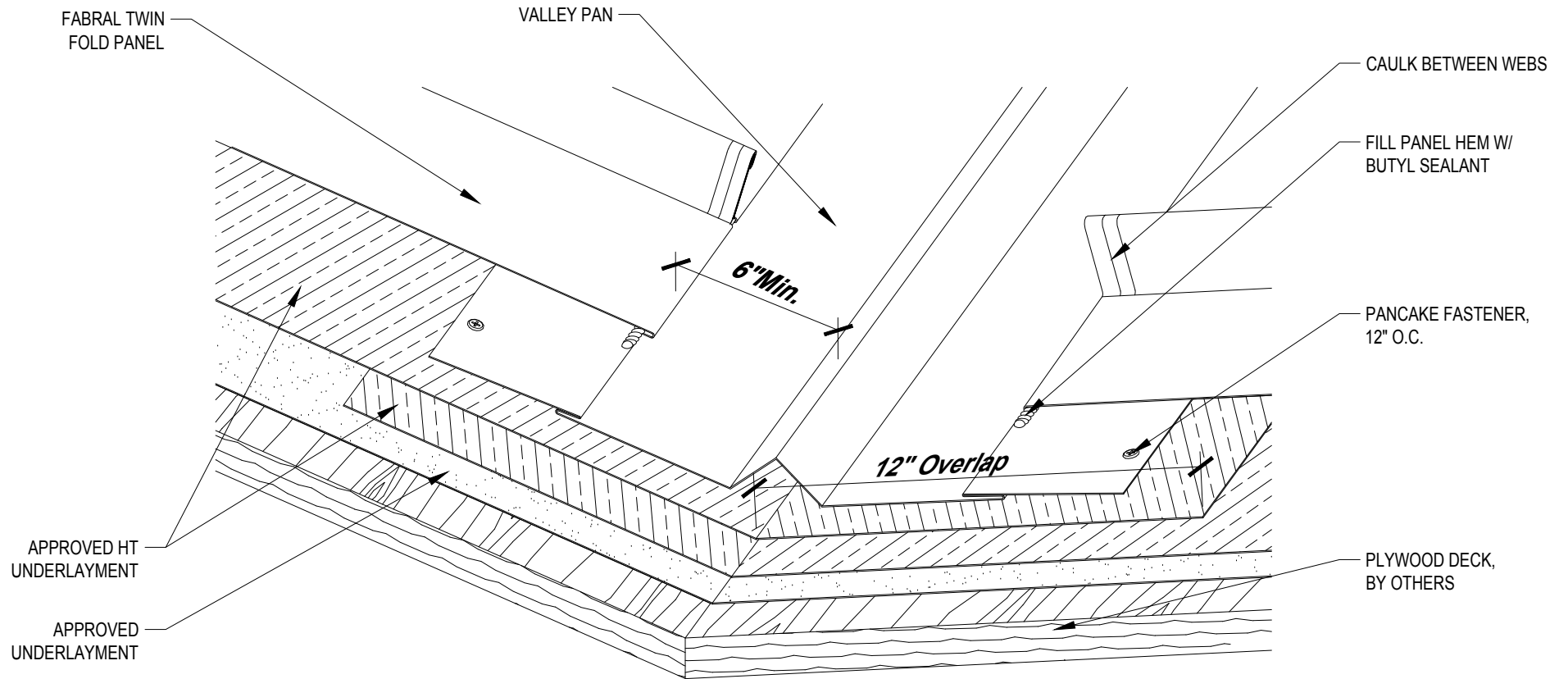
THIS DRAWING IS THE PROPERTY OF FABRAL, INC. THE USE OF THIS DRAWING WITHOUT THE EXPRESS PERMISSION OF FABRAL IS PROHIBITED.

FABRAL, INC.
 3449 Hempland Road
 Lancaster, PA 17601
 800-477-2741

VALLEY DETAIL (V-1)

TWIN FOLD

Issued:
 APRIL 2012



FABRAL

Project: _____
 Contractor: _____

THIS DRAWING IS THE PROPERTY OF FABRAL, INC. THE USE OF THIS DRAWING WITHOUT THE EXPRESS PERMISSION OF FABRAL IS PROHIBITED.

FABRAL, INC.
 3449 Hempland Road
 Lancaster, PA 17601
 800-477-2741

VALLEY DETAIL (V-2)

TWIN FOLD

Issued:
 APRIL 2012

APPROVED
UNDERLAYMENT, TURN
DOWN VERTICALLY 3" MIN.

FABRAL TWIN
FOLD PANEL

CAULK BETWEEN WEBS

PANCAKE FASTENER, 12" O.C.

BUTYL TAPE SEALANT (ONLY
REQ'D FOR SLOPES 2:12 OR LESS)

PLYWOOD DECK,
BY OTHERS

EAVE FLASHING

FASTENER, 12"
O.C.

FASCIA BOARD,
BY OTHERS

CLEAT

FASCIA WRAP,
OPTIONAL

GUTTER

STRAP / HANGER

FABRAL

Project:

Contractor:

THIS DRAWING IS THE
PROPERTY OF FABRAL,
INC. THE USE OF THIS
DRAWING WITHOUT THE
EXPRESS PERMISSION OF
FABRAL IS PROHIBITED.

FABRAL, INC.
3449 Hempland Road
Lancaster, PA 17601
800-477-2741

SLIDING EAVE W/ GUTTER DETAIL (EG-1)

TWIN FOLD

Issued:

APRIL 2012

APPROVED
UNDERLAYMENT, TURN
DOWN VERTICALLY 3" MIN.

FABRAL TWIN
FOLD PANEL

CAULK BETWEEN WEBS

BUTYL TAPE SEALANT (ONLY
REQ'D FOR SLOPES 2:12 OR LESS)

PANCAKE FASTENER, 12" O.C.

EAVE FLASHING

FASTENER, 12" O.C.

CLEAT

PLYWOOD DECK,
BY OTHERS

FASCIA BOARD,
BY OTHERS

FASCIA WRAP,
OPTIONAL

FABRAL

Project:

Contractor:

THIS DRAWING IS THE
PROPERTY OF FABRAL,
INC. THE USE OF THIS
DRAWING WITHOUT THE
EXPRESS PERMISSION OF
FABRAL IS PROHIBITED.

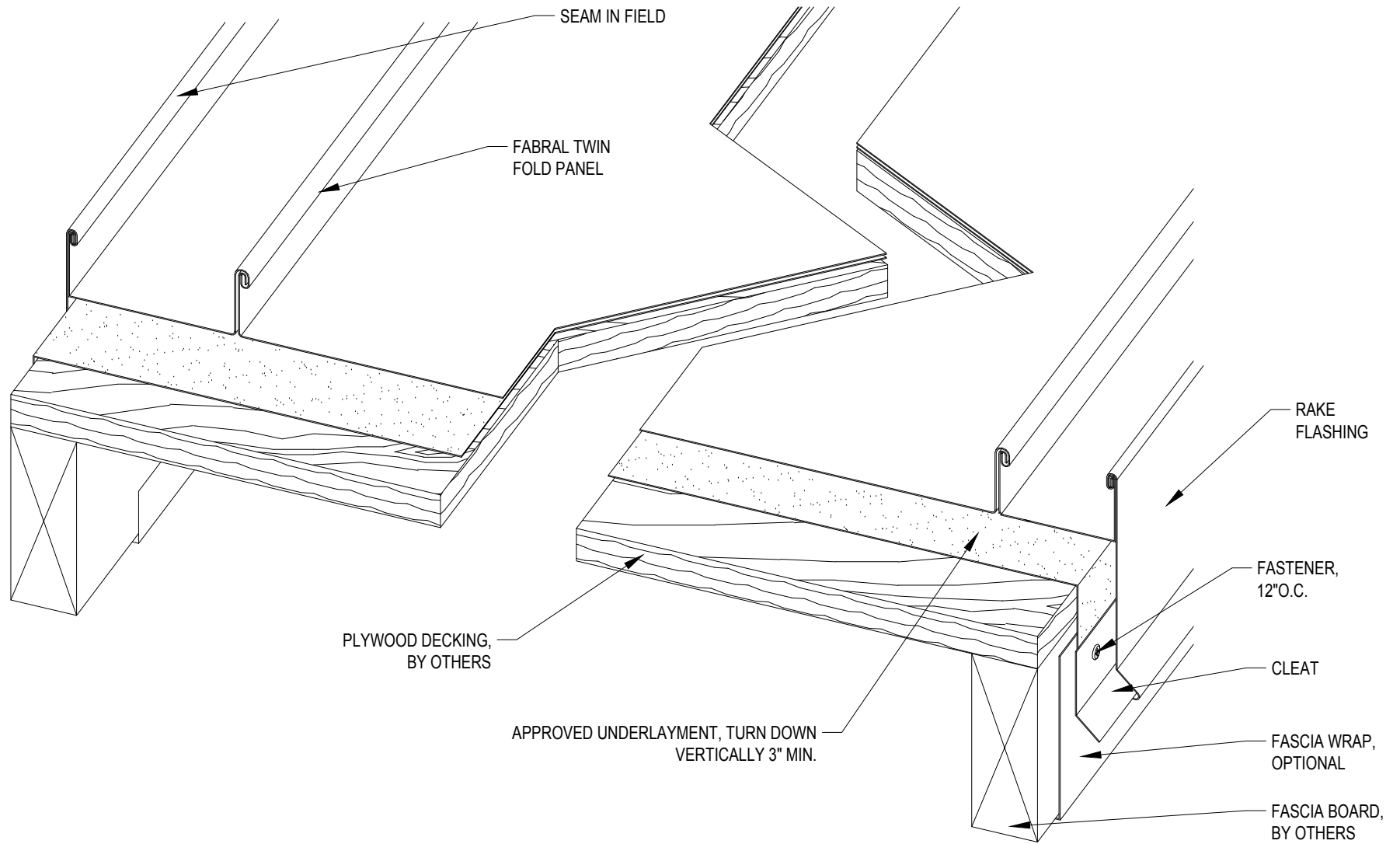
FABRAL, INC.
3449 Hempland Road
Lancaster, PA 17601
800-477-2741

SLIDING EAVE DETAIL (E-1)

TWIN FOLD

Issued:

APRIL 2012



FABRAL

Project:

Contractor:

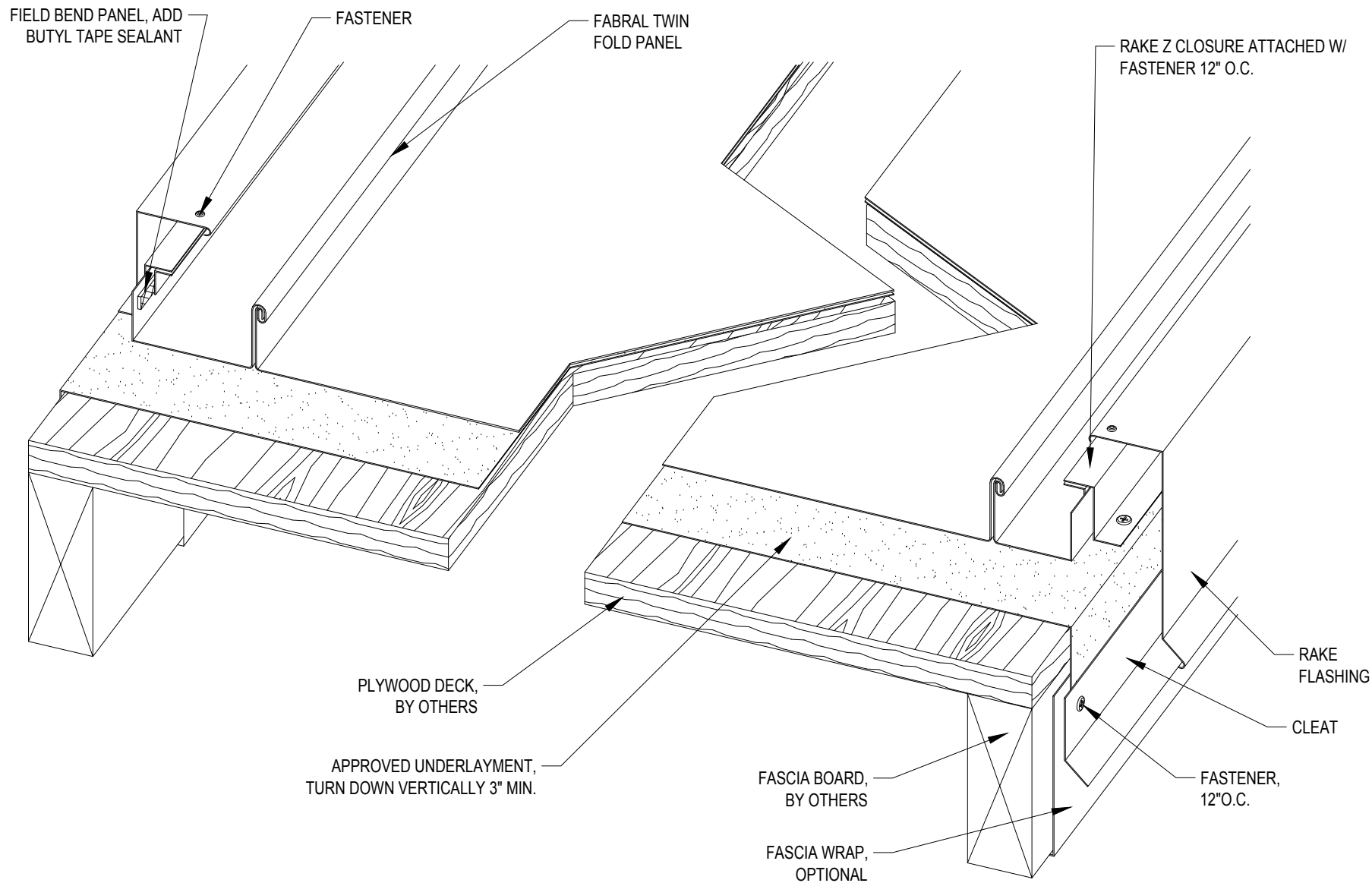
THIS DRAWING IS THE PROPERTY OF FABRAL, INC. THE USE OF THIS DRAWING WITHOUT THE EXPRESS PERMISSION OF FABRAL IS PROHIBITED.

FABRAL, INC.
 3449 Hempland Road
 Lancaster, PA 17601
 800-477-2741

SLIDING GABLE DETAIL (G-1)

TWIN FOLD

Issued:
 APRIL 2012



FABRAL

Project:

Contractor:

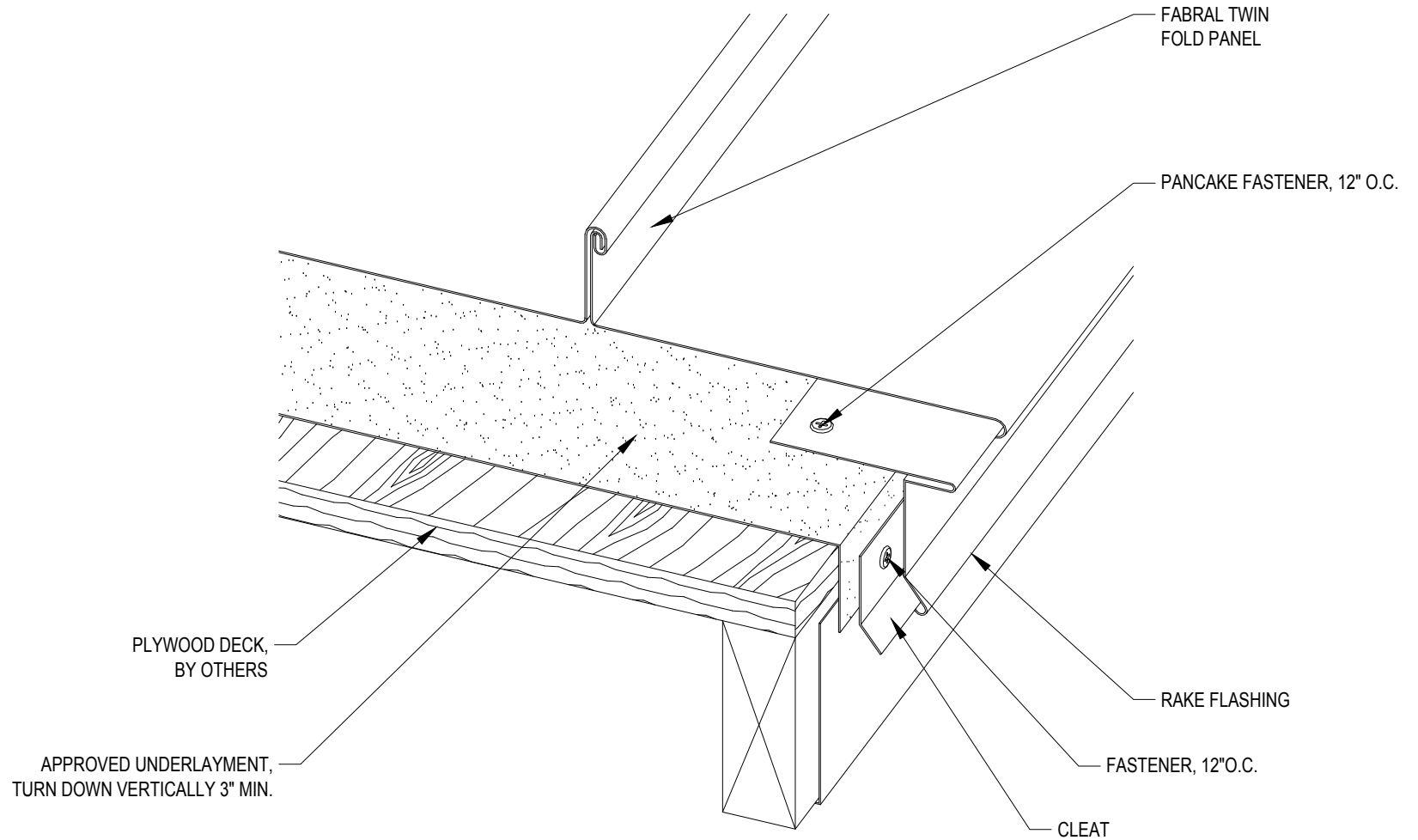
THIS DRAWING IS THE PROPERTY OF FABRAL, INC. THE USE OF THIS DRAWING WITHOUT THE EXPRESS PERMISSION OF FABRAL IS PROHIBITED.

FABRAL, INC.
 3449 Hempland Road
 Lancaster, PA 17601
 800-477-2741

SLIDING GABLE DETAIL (G-2)

TWIN FOLD

Issued:
 APRIL 2012



FABRAL

Project:

Contractor:

THIS DRAWING IS THE PROPERTY OF FABRAL, INC. THE USE OF THIS DRAWING WITHOUT THE EXPRESS PERMISSION OF FABRAL IS PROHIBITED.

FABRAL, INC.
 3449 Hempland Road
 Lancaster, PA 17601
 800-477-2741

SLIDING GABLE DETAIL (G-3)

TWIN FOLD

Issued:
 APRIL 2012

FASTENER, 12" O.C.

RAKE FLASHING

FABRAL TWIN FOLD PANEL,
BOX PANEL END

APPROVED SEALANT

FASTENERS, 12" O.C.

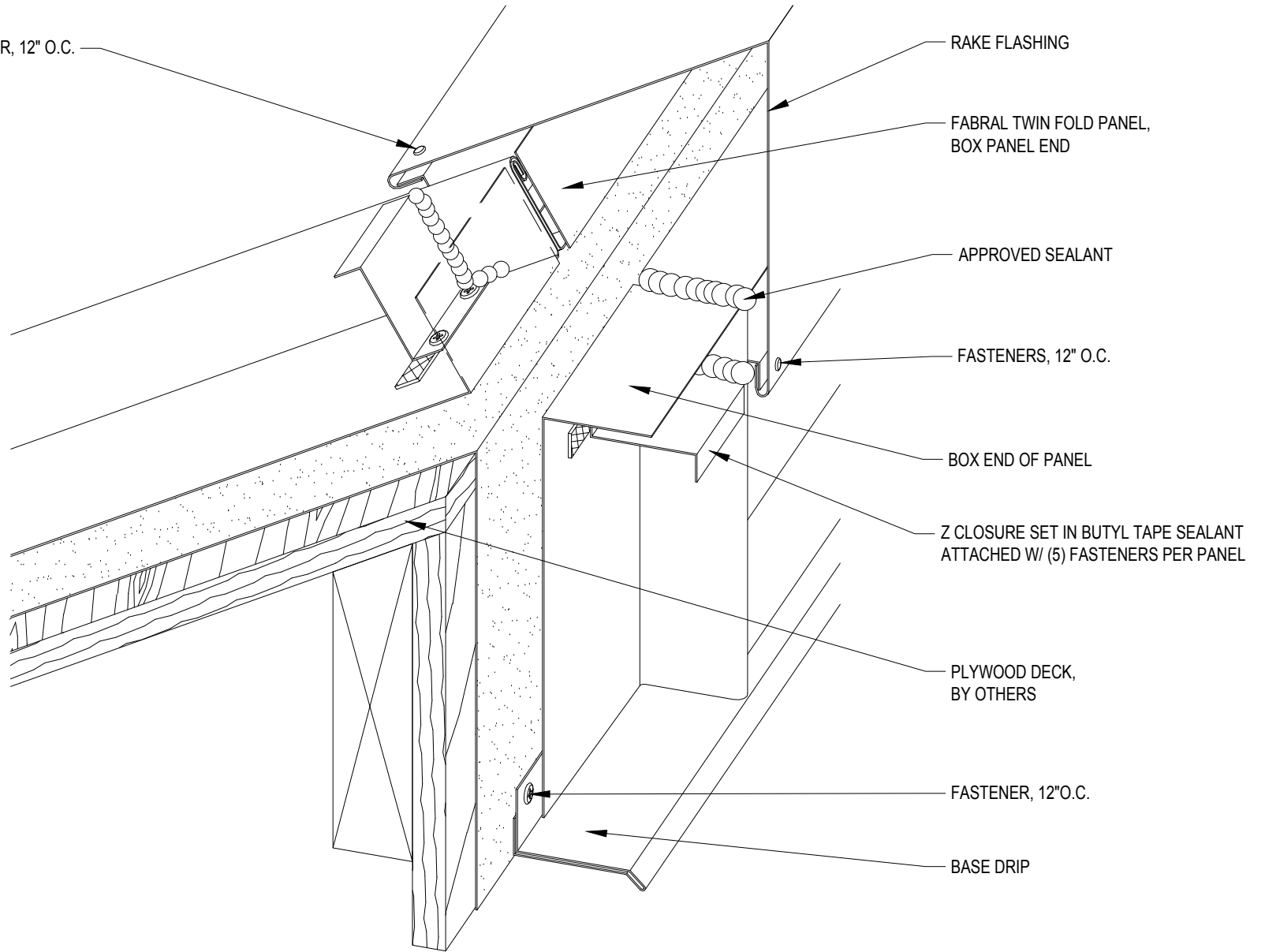
BOX END OF PANEL

Z CLOSURE SET IN BUTYL TAPE SEALANT
ATTACHED W/ (5) FASTENERS PER PANEL

PLYWOOD DECK,
BY OTHERS

FASTENER, 12" O.C.

BASE DRIP



FABRAL

Project:

Contractor:

THIS DRAWING IS THE
PROPERTY OF FABRAL,
INC. THE USE OF THIS
DRAWING WITHOUT THE
EXPRESS PERMISSION OF
FABRAL IS PROHIBITED.

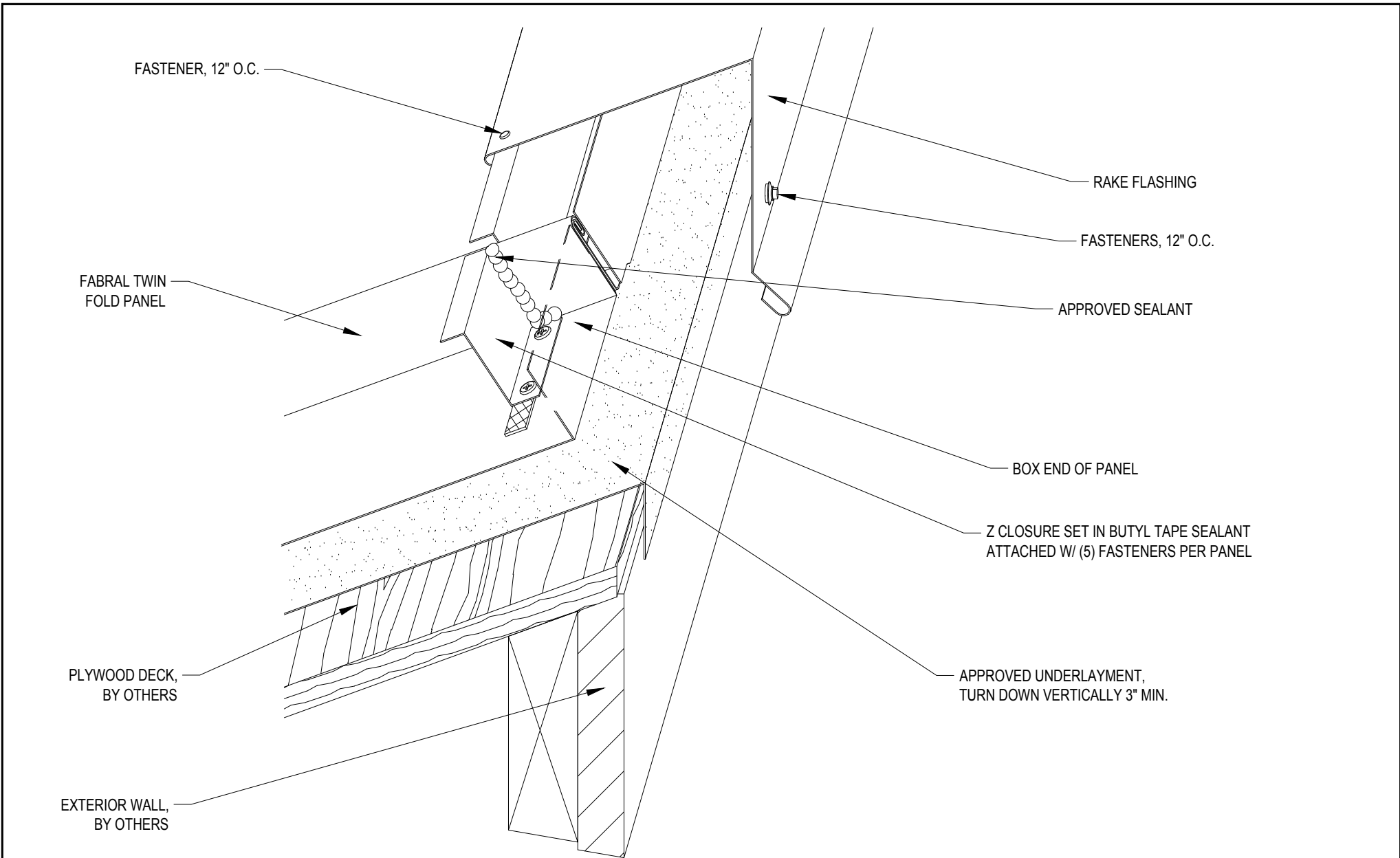
FABRAL, INC.
3449 Hempland Road
Lancaster, PA 17601
800-477-2741

HIGH SIDE EAVE DETAIL (HSE-1)

TWIN FOLD

Issued:

APRIL 2012



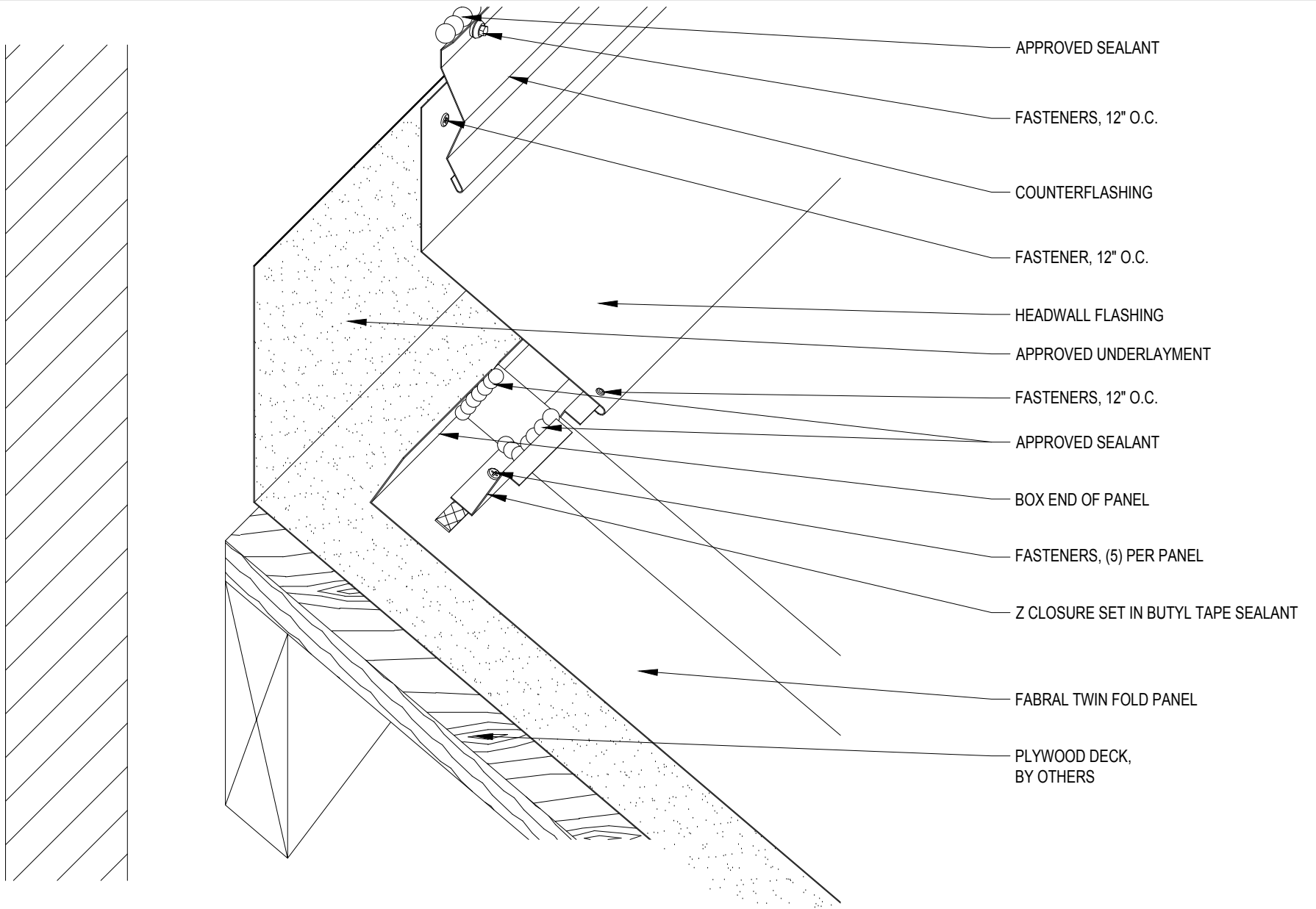
FABRAL

Project:
 Contractor:
HIGH SIDE EAVE DETAIL (HSE-2)

THIS DRAWING IS THE PROPERTY OF FABRAL, INC. THE USE OF THIS DRAWING WITHOUT THE EXPRESS PERMISSION OF FABRAL IS PROHIBITED.

FABRAL, INC.
 3449 Hempland Road
 Lancaster, PA 17601
 800-477-2741
 Issued:
 APRIL 2012

TWIN FOLD



FABRAL

Project:

Contractor:

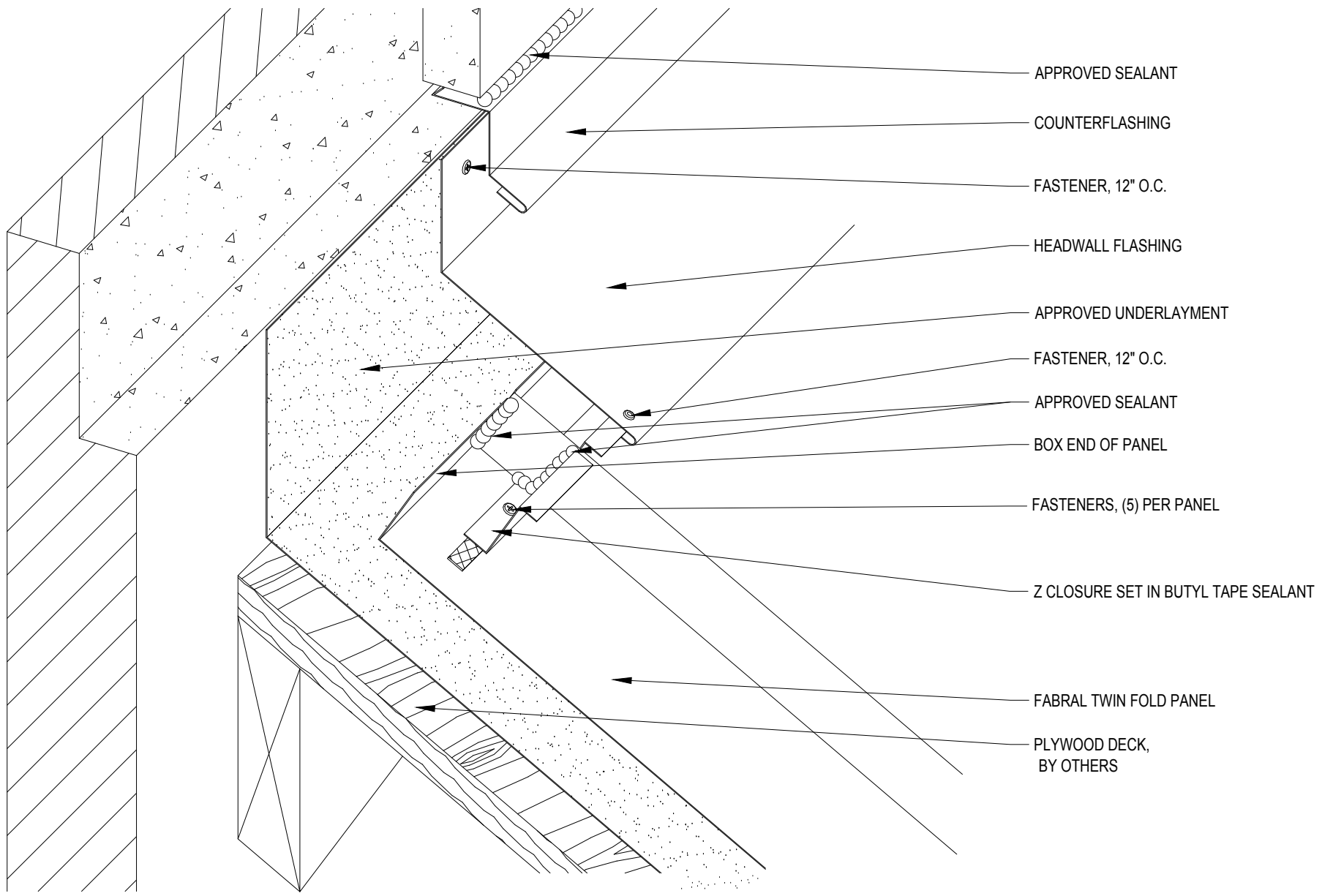
HEADWALL DETAIL (HW-1)

THIS DRAWING IS THE PROPERTY OF FABRAL, INC. THE USE OF THIS DRAWING WITHOUT THE EXPRESS PERMISSION OF FABRAL IS PROHIBITED.

FABRAL, INC.
 3449 Hempland Road
 Lancaster, PA 17601
 800-477-2741

TWIN FOLD

Issued:
 APRIL 2012



FABRAL

Project:

Contractor:

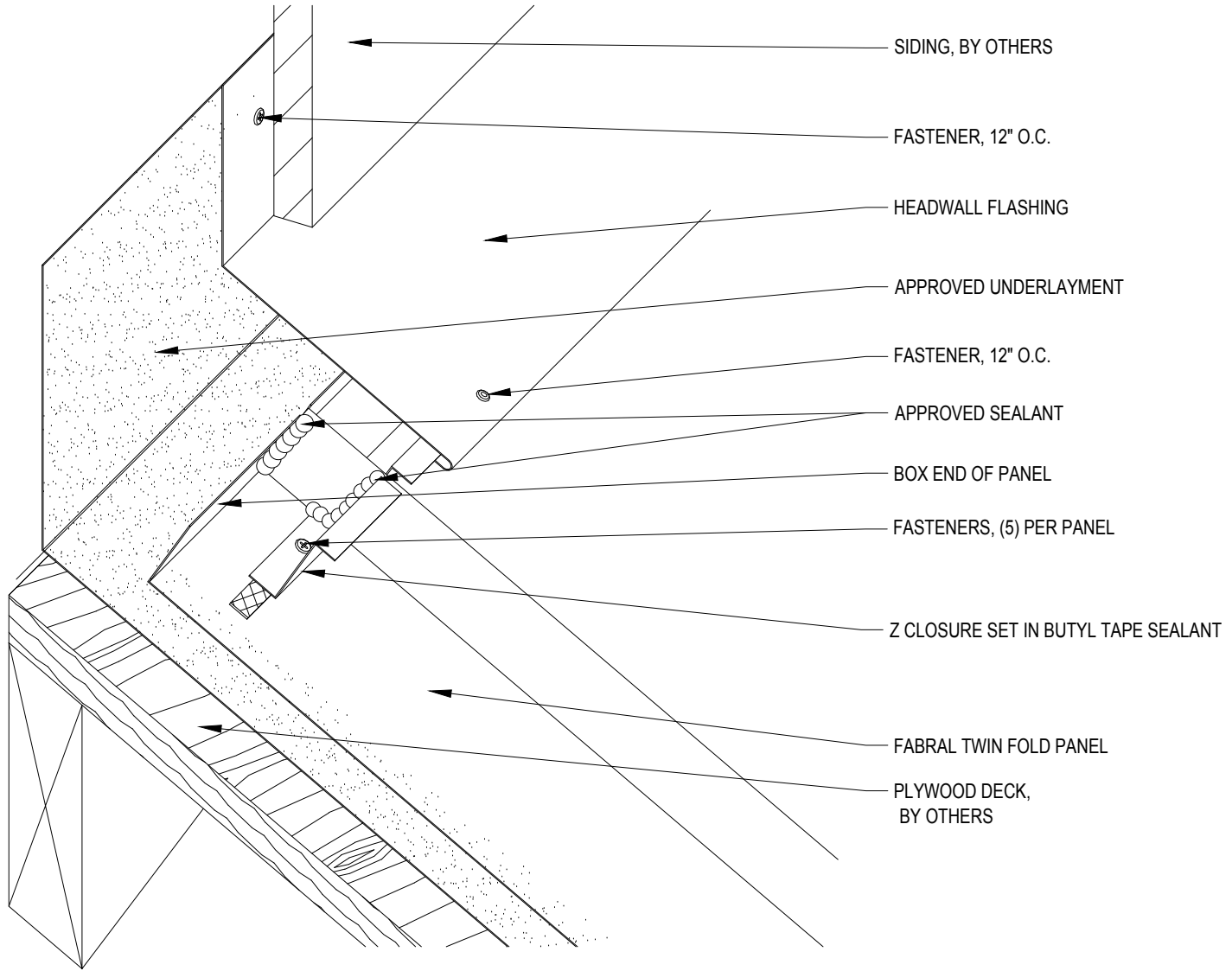
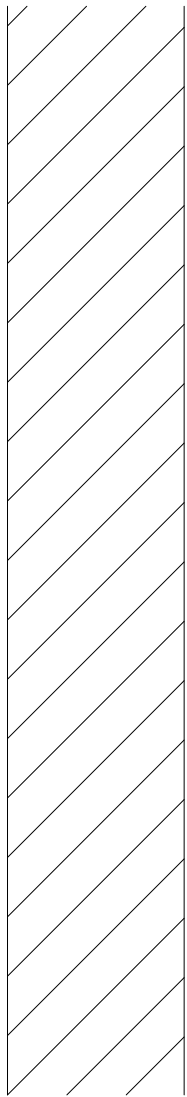
THIS DRAWING IS THE PROPERTY OF FABRAL, INC. THE USE OF THIS DRAWING WITHOUT THE EXPRESS PERMISSION OF FABRAL IS PROHIBITED.

FABRAL, INC.
 3449 Hempland Road
 Lancaster, PA 17601
 800-477-2741

HEADWALL DETAIL (HW-2)

TWIN FOLD

Issued:
 APRIL 2012



SIDING, BY OTHERS

FASTENER, 12" O.C.

HEADWALL FLASHING

APPROVED UNDERLAYMENT

FASTENER, 12" O.C.

APPROVED SEALANT

BOX END OF PANEL

FASTENERS, (5) PER PANEL

Z CLOSURE SET IN BUTYL TAPE SEALANT

FABRAL TWIN FOLD PANEL

PLYWOOD DECK,
BY OTHERS

FABRAL

Project:

Contractor:

THIS DRAWING IS THE
PROPERTY OF FABRAL,
INC. THE USE OF THIS
DRAWING WITHOUT THE
EXPRESS PERMISSION OF
FABRAL IS PROHIBITED.

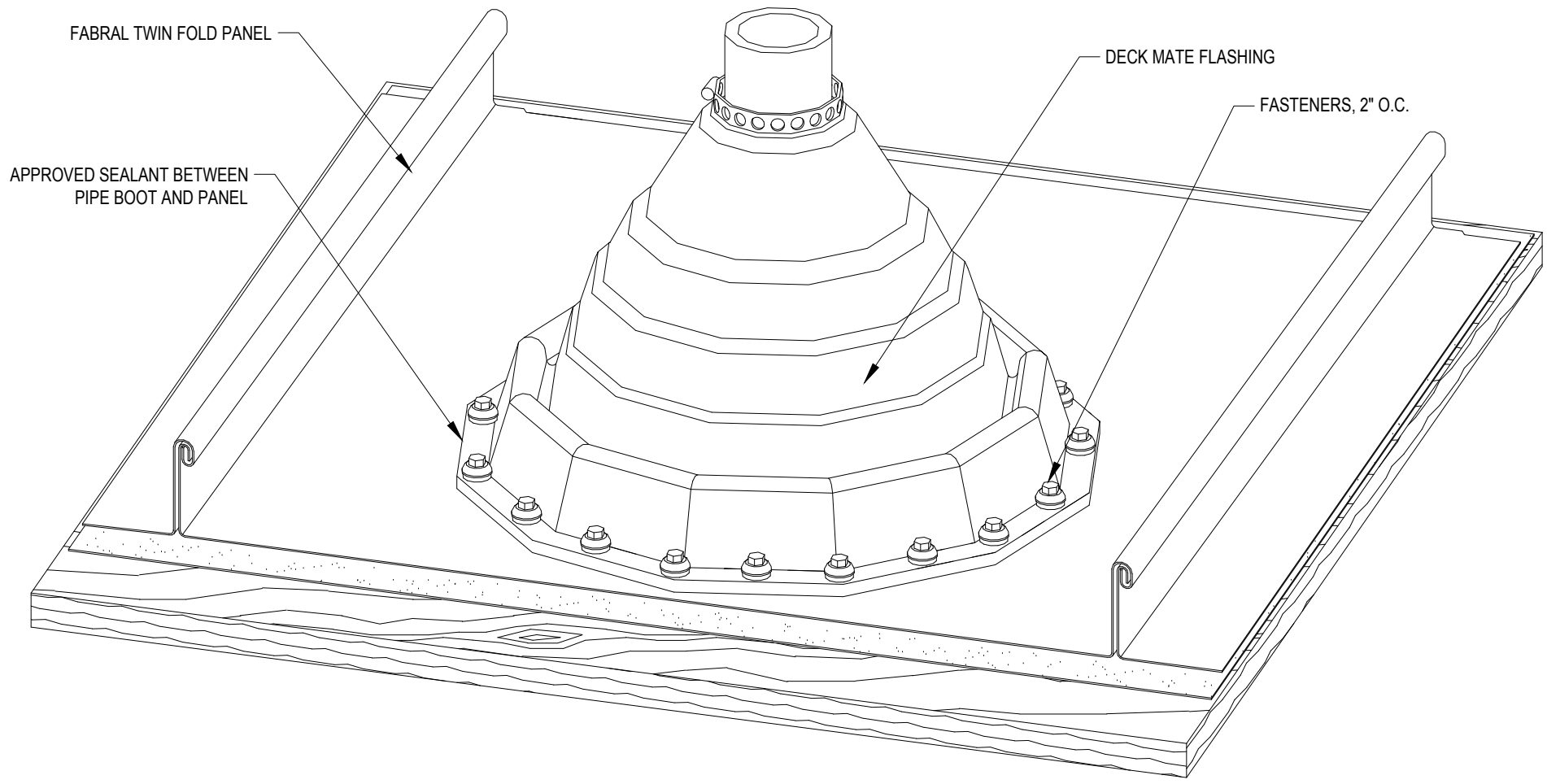
FABRAL, INC.
3449 Hempland Road
Lancaster, PA 17601
800-477-2741

HEADWALL DETAIL (HW-3)

TWIN FOLD

Issued:

APRIL 2012



FABRAL

Project:

Contractor:

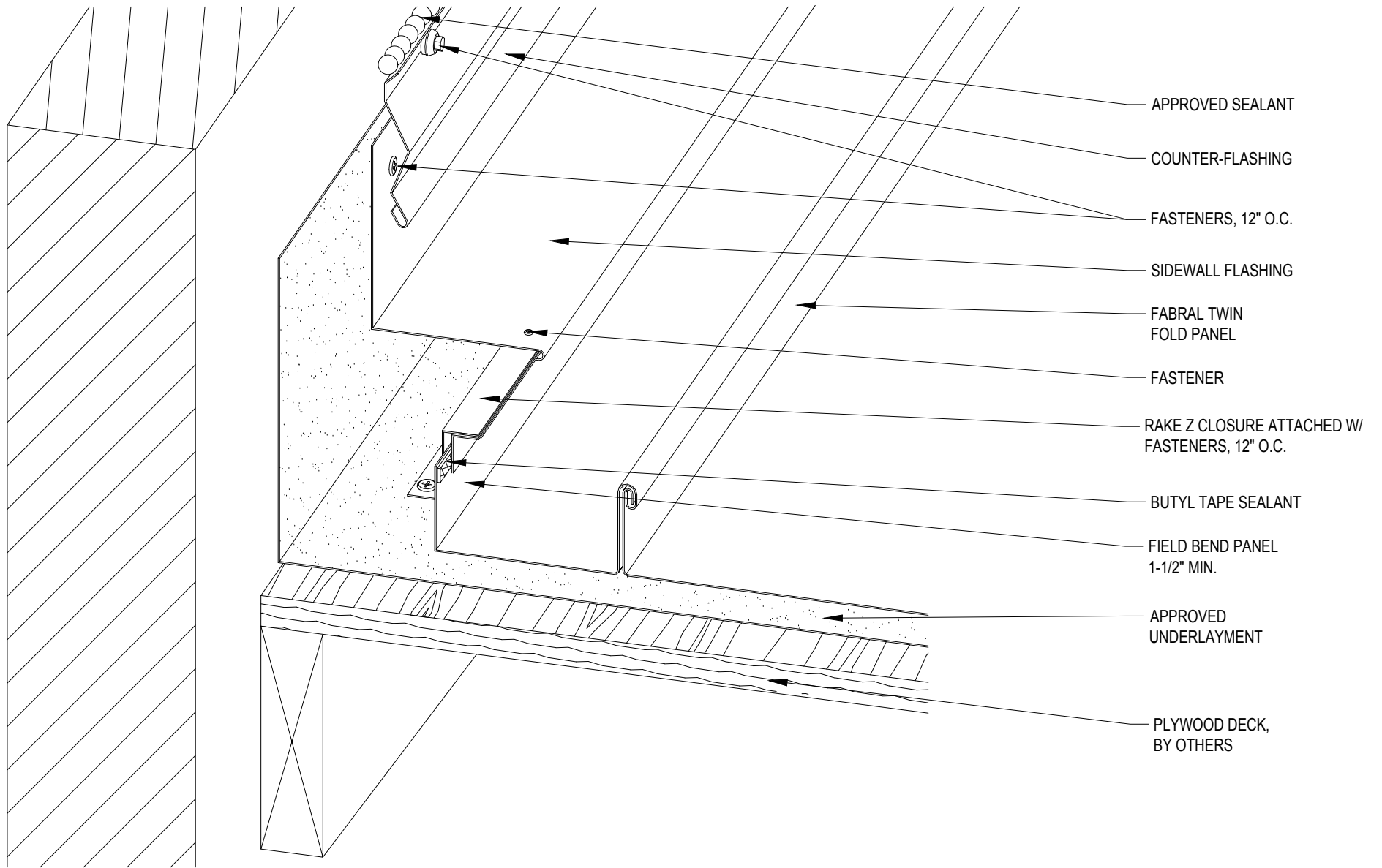
THIS DRAWING IS THE PROPERTY OF FABRAL, INC. THE USE OF THIS DRAWING WITHOUT THE EXPRESS PERMISSION OF FABRAL IS PROHIBITED.

FABRAL, INC.
 3449 Hempland Road
 Lancaster, PA 17601
 800-477-2741

PENETRATION DETAIL (P-1)

TWIN FOLD

Issued:
 APRIL 2012



- APPROVED SEALANT
- COUNTER-FLASHING
- FASTENERS, 12" O.C.
- SIDEWALL FLASHING
- FABRAL TWIN FOLD PANEL
- FASTENER
- RAKE Z CLOSURE ATTACHED W/ FASTENERS, 12" O.C.
- BUTYL TAPE SEALANT
- FIELD BEND PANEL 1-1/2" MIN.
- APPROVED UNDERLAYMENT
- PLYWOOD DECK, BY OTHERS

FABRAL

Project:

Contractor:

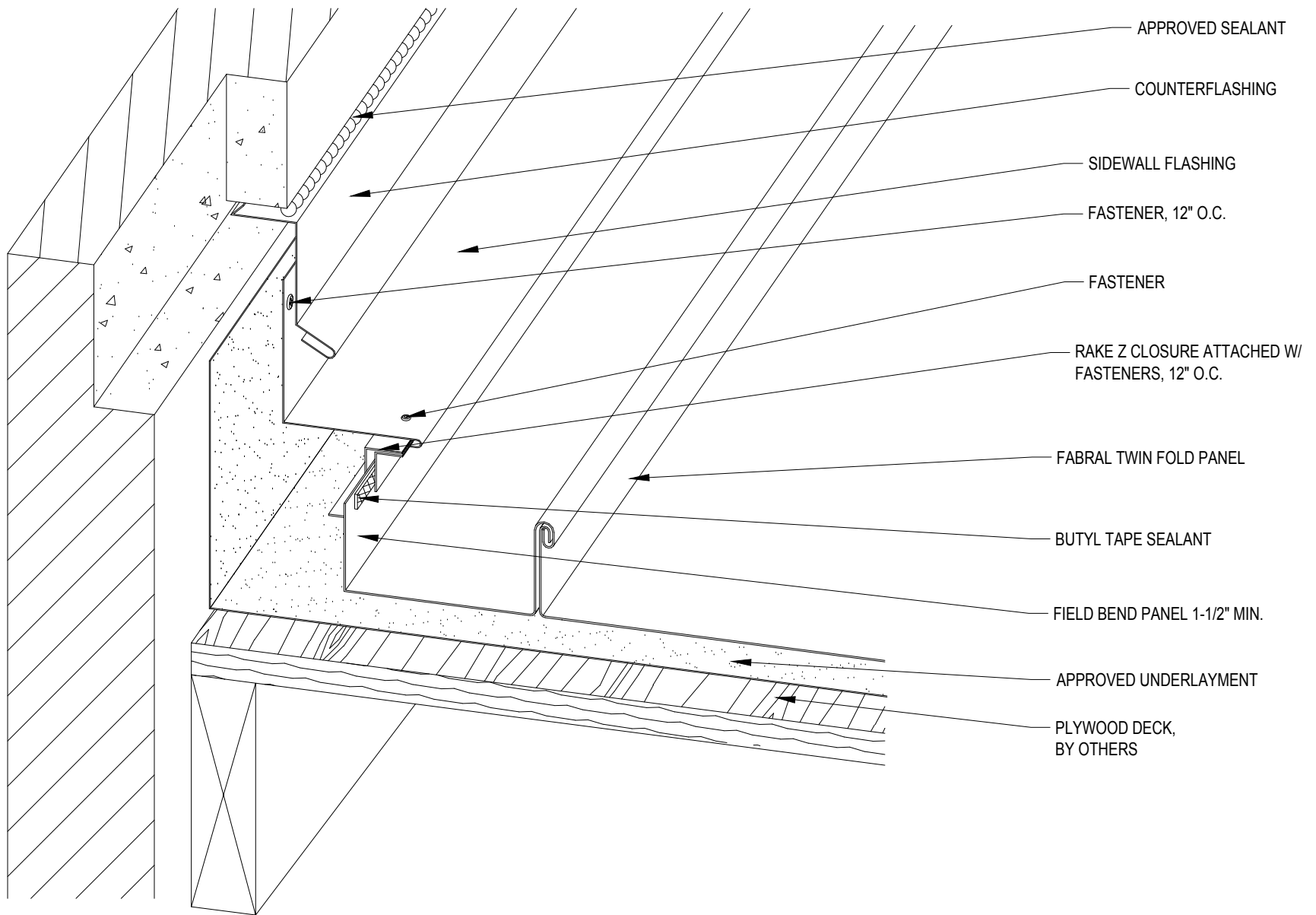
THIS DRAWING IS THE PROPERTY OF FABRAL, INC. THE USE OF THIS DRAWING WITHOUT THE EXPRESS PERMISSION OF FABRAL IS PROHIBITED.

FABRAL, INC.
 3449 Hempland Road
 Lancaster, PA 17601
 800-477-2741

SIDEWALL DETAIL (SW-1)

TWIN FOLD

Issued:
 APRIL 2012



FABRAL

Project:

Contractor:

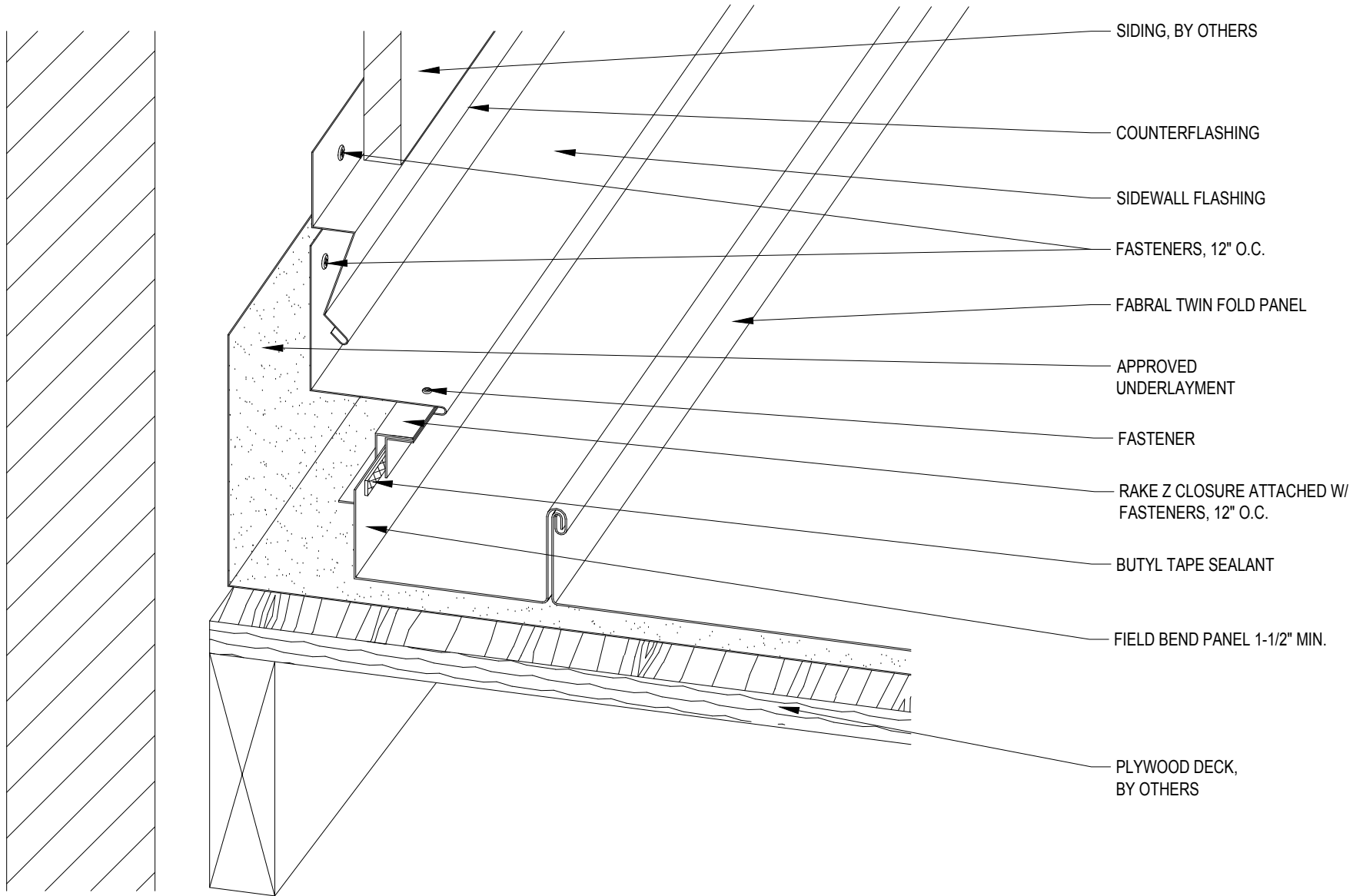
THIS DRAWING IS THE PROPERTY OF FABRAL, INC. THE USE OF THIS DRAWING WITHOUT THE EXPRESS PERMISSION OF FABRAL IS PROHIBITED.

FABRAL, INC.
 3449 Hempland Road
 Lancaster, PA 17601
 800-477-2741

SIDEWALL DETAIL (SW-2)

TWIN FOLD

Issued:
 APRIL 2012



FABRAL

Project:

Contractor:

THIS DRAWING IS THE PROPERTY OF FABRAL, INC. THE USE OF THIS DRAWING WITHOUT THE EXPRESS PERMISSION OF FABRAL IS PROHIBITED.

FABRAL, INC.
 3449 Hempland Road
 Lancaster, PA 17601
 800-477-2741

SIDEWALL DETAIL (SW-3)

TWIN FOLD

Issued:
 APRIL 2012

APPROVED
UNDERLAYMENT, TURN
DOWN VERTICALLY 3" MIN.

FABRAL TWIN
FOLD PANEL

PLYWOOD DECK,
BY OTHERS

CAULK BETWEEN WEBS

BUTYL TAPE SEALANT (ONLY
REQ'D FOR SLOPES 2:12 OR LESS)

PANCAKE FASTENER, 12" O.C.

EAVE FLASHING

FASTENER, 12" O.C.

CLEAT

FASCIA WRAP,
OPTIONAL

FASCIA BOARD,
BY OTHERS

FABRAL

Project:

Contractor:

THIS DRAWING IS THE
PROPERTY OF FABRAL,
INC. THE USE OF THIS
DRAWING WITHOUT THE
EXPRESS PERMISSION OF
FABRAL IS PROHIBITED.

FABRAL, INC.
3449 Hempland Road
Lancaster, PA 17601
800-477-2741

FIXED EAVE DETAIL (FE-1)

TWIN FOLD

Issued:

APRIL 2012

APPROVED
UNDERLAYMENT, TURN
DOWN VERTICALLY 3" MIN.

FABRAL TWIN
FOLD PANEL

PLYWOOD DECK,
BY OTHERS

CAULK BETWEEN WEBS

BUTYL TAPE SEALANT (ONLY
REQ'D FOR SLOPES 2:12 OR LESS)

PANCAKE FASTENER,
12" O.C.

BUTYL TAPE SEALANT

EAVE FLASHING

FASTENER, 12" O.C.

CLEAT

FASCIA WRAP,
OPTIONAL

FASCIA BOARD,
BY OTHERS

FABRAL

Project:

Contractor:

THIS DRAWING IS THE
PROPERTY OF FABRAL,
INC. THE USE OF THIS
DRAWING WITHOUT THE
EXPRESS PERMISSION OF
FABRAL IS PROHIBITED.

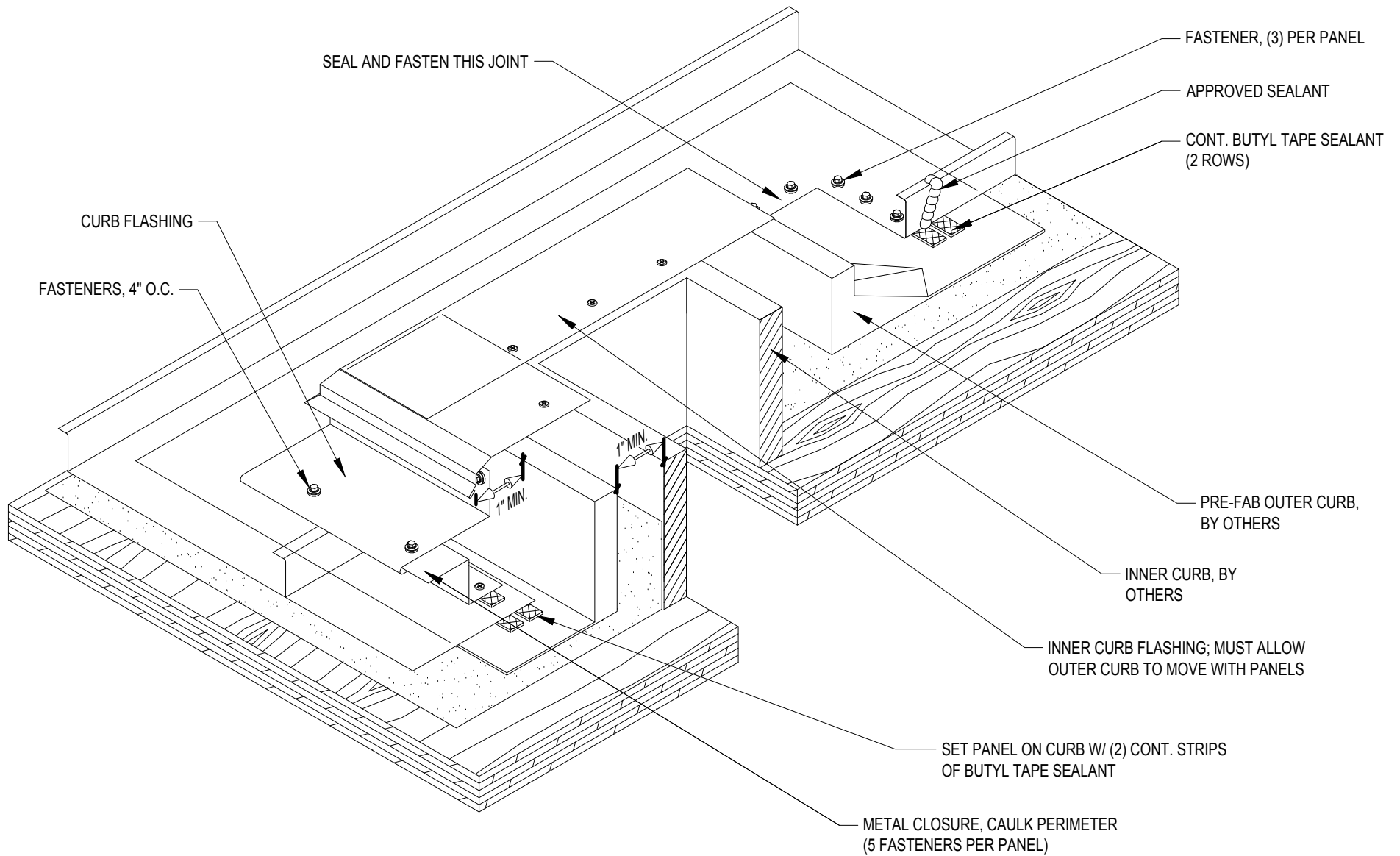
FABRAL, INC.
3449 Hempland Road
Lancaster, PA 17601
800-477-2741

SLIDING EAVE DETAIL (E-2)

TWIN FOLD

Issued:

APRIL 2012



FABRAL

Project:

Contractor:

THIS DRAWING IS THE PROPERTY OF FABRAL, INC. THE USE OF THIS DRAWING WITHOUT THE EXPRESS PERMISSION OF FABRAL IS PROHIBITED.

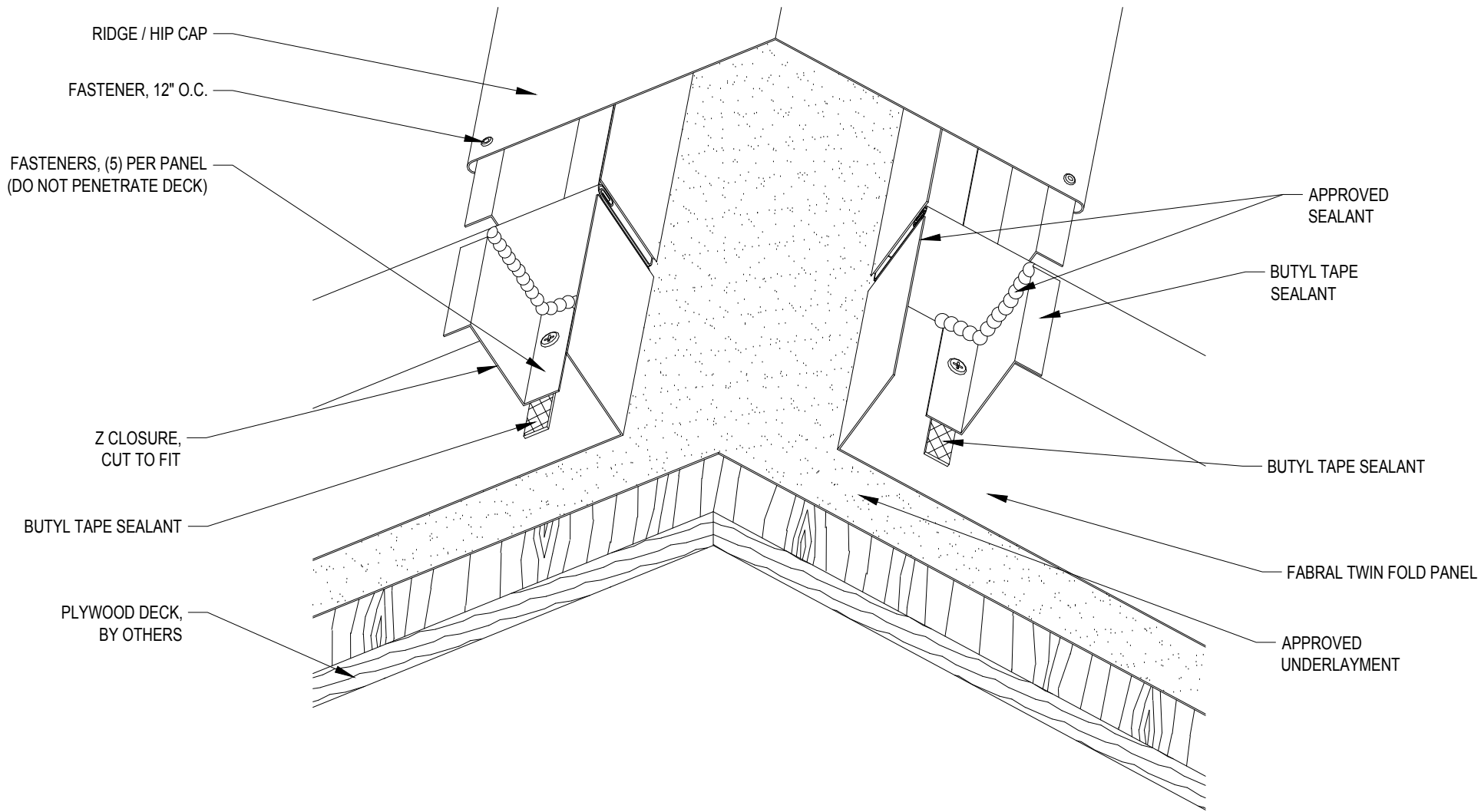
FABRAL, INC.
 3449 Hempland Road
 Lancaster, PA 17601
 800-477-2741

CURB DETAIL (CB-1)

TWIN FOLD

Issued:

APRIL 2012



FABRAL

Project: _____
 Contractor: _____

THIS DRAWING IS THE PROPERTY OF FABRAL, INC. THE USE OF THIS DRAWING WITHOUT THE EXPRESS PERMISSION OF FABRAL IS PROHIBITED.

FABRAL, INC.
 3449 Hempland Road
 Lancaster, PA 17601
 800-477-2741

SLIDING HIP/RIDGE DETAIL (HR-2)

TWIN FOLD

Issued:
 APRIL 2012

APPROVED
UNDERLAYMENT, TURN
DOWN VERTICALLY 3" MIN.

PLYWOOD DECK,
BY OTHERS

FABRAL TWIN FOLD
PANEL

CAULK BETWEEN WEBS

FASTENER, 6" O.C.

BUTYL TAPE SEALANT (ONLY
REQ'D FOR SLOPES 2:12 OR LESS)

PANCAKE FASTENER, 12" O.C.

EAVE FLASHING

FASTENER, 12" O.C.

CLEAT

FASCIA WRAP,
OPTIONAL

FASCIA BOARD,
BY OTHERS

FABRAL

Project:

Contractor:

THIS DRAWING IS THE
PROPERTY OF FABRAL,
INC. THE USE OF THIS
DRAWING WITHOUT THE
EXPRESS PERMISSION OF
FABRAL IS PROHIBITED.

FABRAL, INC.
3449 Hempland Road
Lancaster, PA 17601
800-477-2741

FIXED EAVE DETAIL (FE-2)

TWIN FOLD

Issued:

APRIL 2012