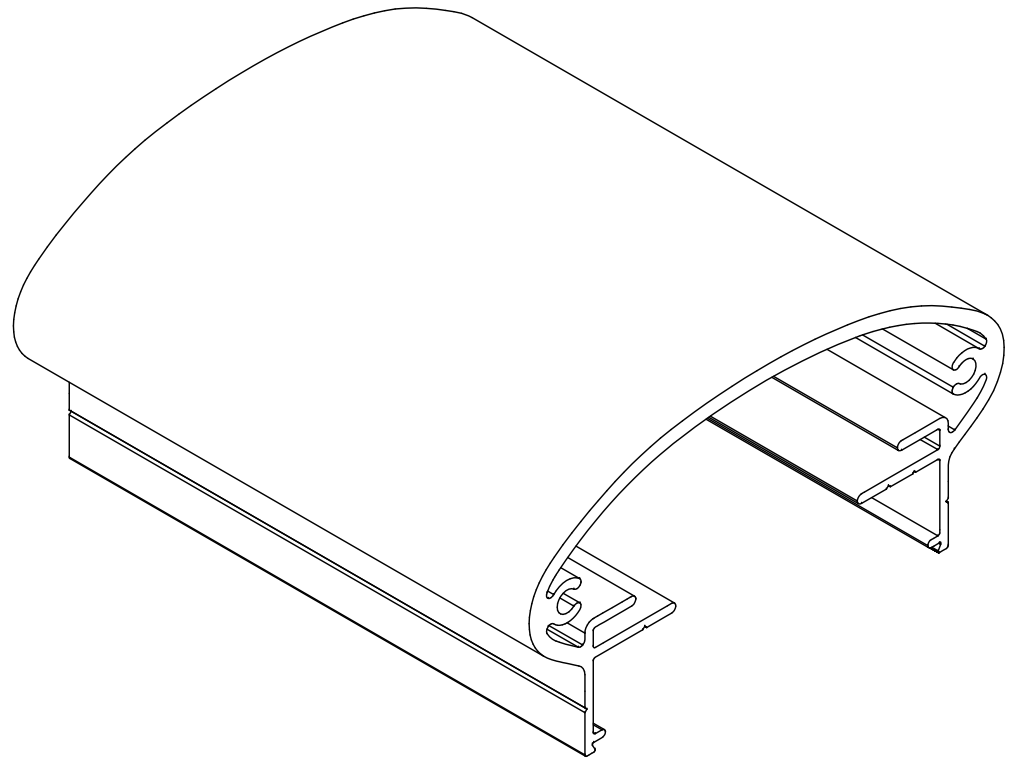


SECTION

SCALE: 1:1



ISOMETRIC VIEW

SCALE: NTS

DesignRail® Extrusion Pattern:
SERIES 350 TOP RAIL

THIS DRAWING IS THE PROPERTY OF FEENEY INC. ANY REPRODUCTION OF THIS DOCUMENT WITHOUT THE EXPRESSED WRITTEN CONSENT OF FEENEY INC. IS STRICTLY PROHIBITED.

MATERIAL: 6063-T6
 ALUMINUM ALLOY

SKU (10' / 20'):

7094 / 7093

DATE: 05/16/14

PAGE: 1 of 1

REV: A-12/7/17-JTC

BY: DSY

CHK: BWA



2603 Union St., Oakland, CA 94607
 P: 800-888-2418 F: 510-893-9484
 www.feeneyinc.com